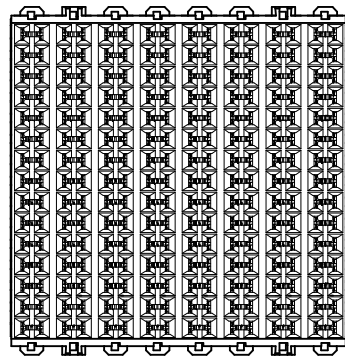
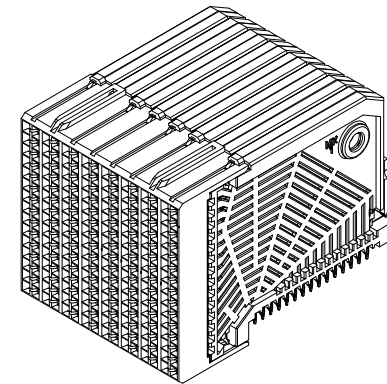


NOTES:

1. MATERIALS: HOUSING - LIQUID CRYSTAL POLYMER (LCP)
GLASS-FILLED, UL 94V-0
TERMINALS - HIGH PERFORMANCE COPPER ALLOY
2. FINISH: 10uIN MIN. GOLD (MAPS) OR 30uIN MIN. GOLD IN CONTACT AREA
SELECTIVE MATTE TIN
ON PCB TAILS. NICKEL OVERALL.
3. REFER TO MOLEX PRODUCT SPEC PS-75710-999 FOR PERFORMANCE SPECIFICATIONS.
4. PRODUCT IS PACKAGED PER PK-70873-608.
5. THIS PART CONFORMS TO CLASS B REQUIREMENTS OF COSMETIC SPEC PS-45499-002.
6. MAPS (MOLEX ADVANCED PLATING SYSTEM).



LEAD FREE CONVERSION EC NO: UCP2013-4288 DRWR:RWHIPPLE 2013/04/09 CHKD:HWOLFE 2013/04/09 APPR:SMILLER 2013/08/26	QUALITY SYMBOLS ▽=0 ▽=0 ▽=0	GENERAL TOLERANCES (UNLESS SPECIFIED)		DIMENSION STYLE MM ONLY	SCALE 2:1	DESIGN UNITS METRIC	THIRD ANGLE PROJECTION	
		4 PLACES ± --- ± ---	DRAWN BY MCARRANZA	DATE 3/20/06	I-TRAC DAUGHTERCARD 15 ROW UNGUIDED SIGNAL MODULE molex MATERIAL NO. SD-76040-001 DOCUMENT NO. SD-76040-001 SHEET NO. 1 OF 2			
		3 PLACES ± --- ± ---	CHECKED BY JLAURX	DATE 3/21/06				
		2 PLACES ± 0.13 ± ---	APPROVED BY JLAURX	DATE 3/21/06				
1 PLACE ± 0.25 ± ---	MATERIAL NO. SEE CHART							
0 PLACE ± ±	ANGULAR ±1/2°		DRAFT WHERE APPLICABLE MUST REMAIN WITHIN DIMENSIONS		THIS DRAWING CONTAINS INFORMATION THAT IS PROPRIETARY TO MOLEX. INCORPORATED AND SHOULD NOT BE USED WITHOUT WRITTEN PERMISSION			

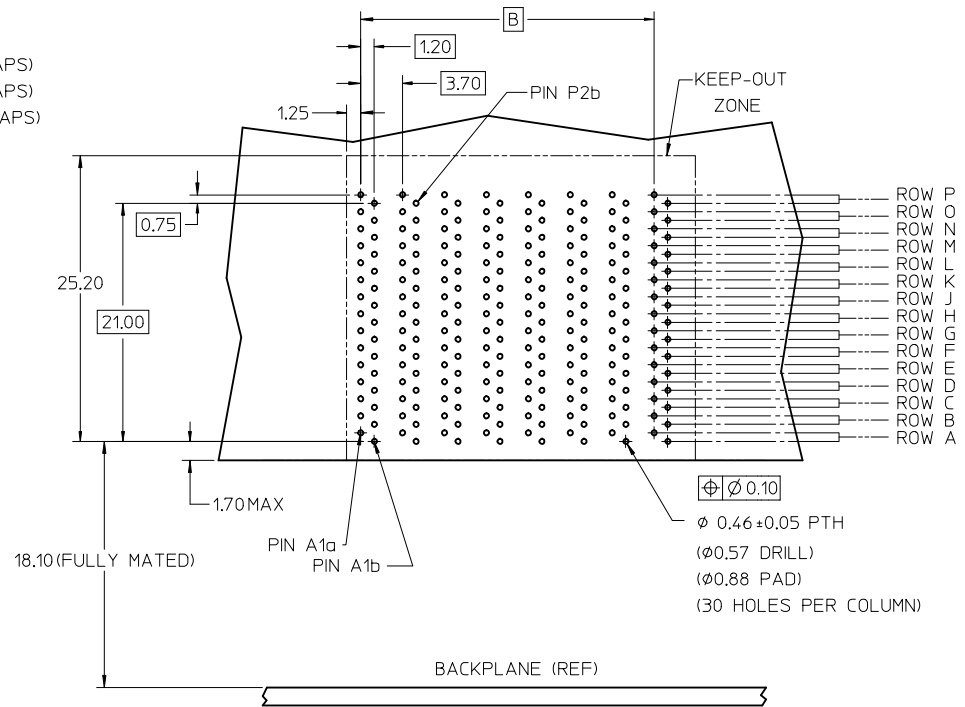
MATERIAL NUMBER	# OF COLUMNS	DIM. "A" MAX	DIM. "B"
76040-*0*8	8	29.60	25.90
76040-*0*9	9	33.30	29.60
76040-*0*0	10	37.00	33.30

76040-*0**

MODULE TYPE -- TAIL PLATING TYPE _____
 UNGUIDED -- MATTE TIN (FORMERLY TIN/LEAD) = 0
 UNGUIDED -- MATTE TIN = 1

POLARIZATION KEY ORIENTATION _____
 0 = NO KEY

OF COLUMNS/PLATING
 08 = 8 COL 30 GOLD
 09 = 9 COL 30 GOLD
 10 = 10 COL 30 GOLD
 48 = 8 COL 10 GOLD (MAPS)
 49 = 9 COL 10 GOLD (MAPS)
 40 = 10 COL 10 GOLD (MAPS)



DAUGHTERCARD HOLE PATTERN
(CONNECTOR SIDE)

SEE SHEET 1 EC NO: UCP2013-4288 DRAWN: RWHIPPLE 2013/04/09 CHKD: MWOLFE 2013/04/09 APPR: SMILLER 2013/08/26	QUALITY SYMBOLS	GENERAL TOLERANCES (UNLESS SPECIFIED)	DIMENSION STYLE MM ONLY	SCALE 2:1	DESIGN UNITS METRIC	THIRD ANGLE PROJECTION
	▽=0	4 PLACES ± --- ± ---	mm INCH	DRAWN BY MCARRANZA	DATE 3/20/06	TITLE I-TRAC DAUGHTERCARD 15 ROW UNGUIDED SIGNAL MODULE
	▽=0	3 PLACES ± --- ± ---		CHECKED BY JLAURX	DATE 3/21/06	molex
	▽=0	2 PLACES ± 0.13 ± ---		APPROVED BY JLAURX	DATE 3/21/06	
		1 PLACE ± 0.25 ± ---		MATERIAL NO.	DOCUMENT NO.	SHEET NO.
		0 PLACE ± ±		SEE CHART	SD-76040-001	2 OF 2
		ANGULAR ±1/2°		THIS DRAWING CONTAINS INFORMATION THAT IS PROPRIETARY TO MOLEX INCORPORATED AND SHOULD NOT BE USED WITHOUT WRITTEN PERMISSION		
		DRAFT WHERE APPLICABLE MUST REMAIN WITHIN DIMENSIONS				