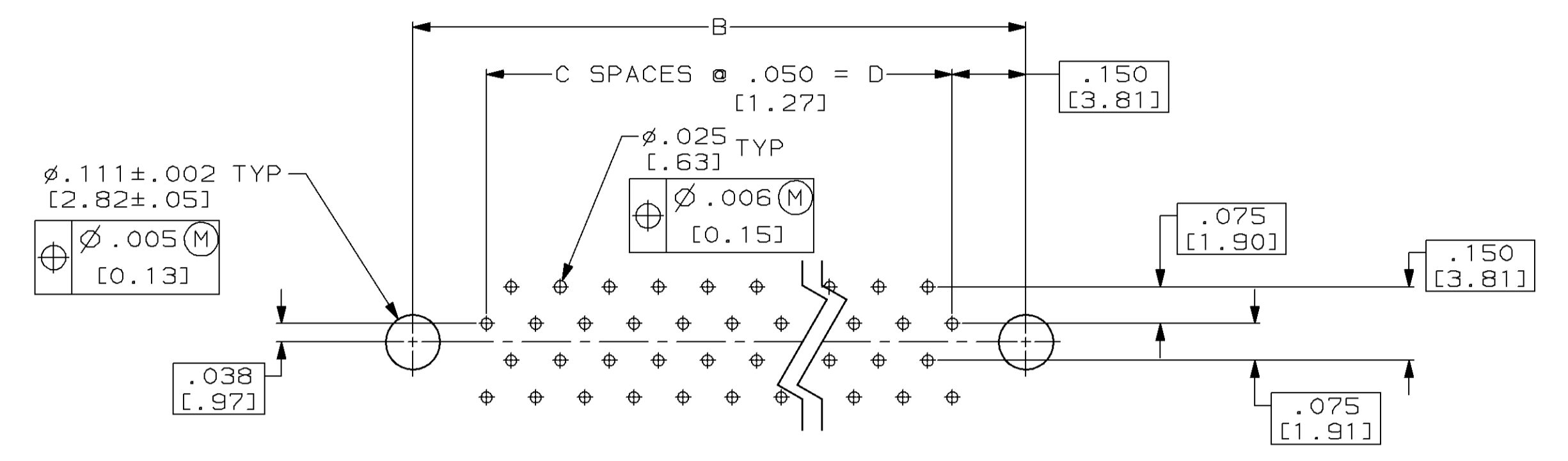
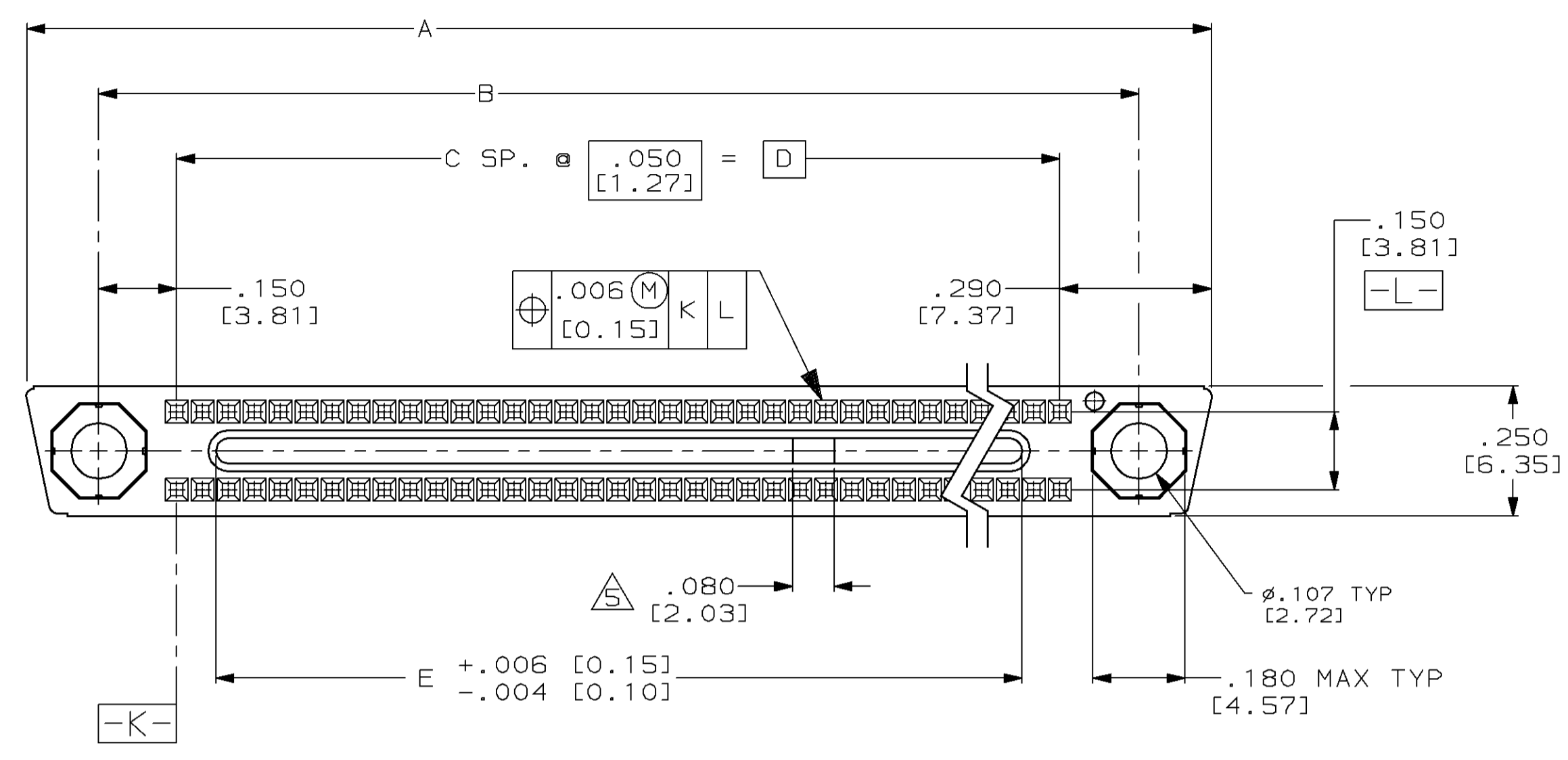
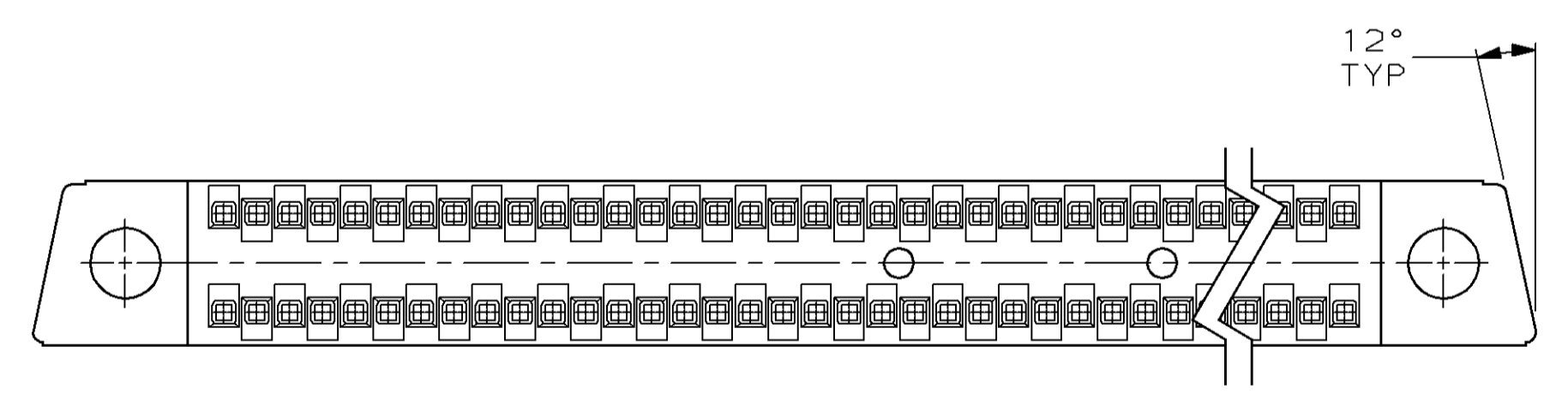
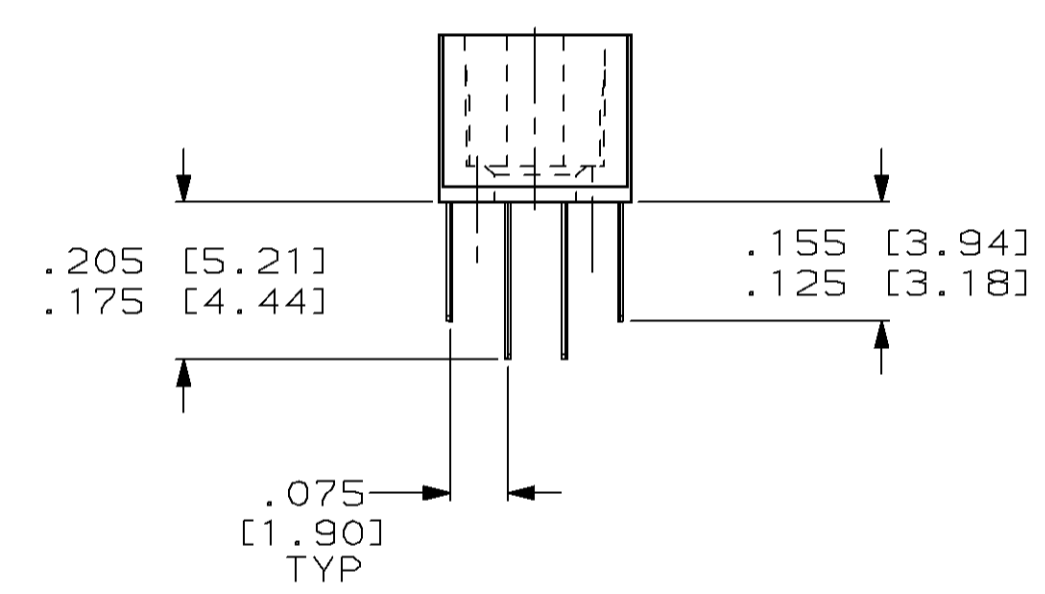
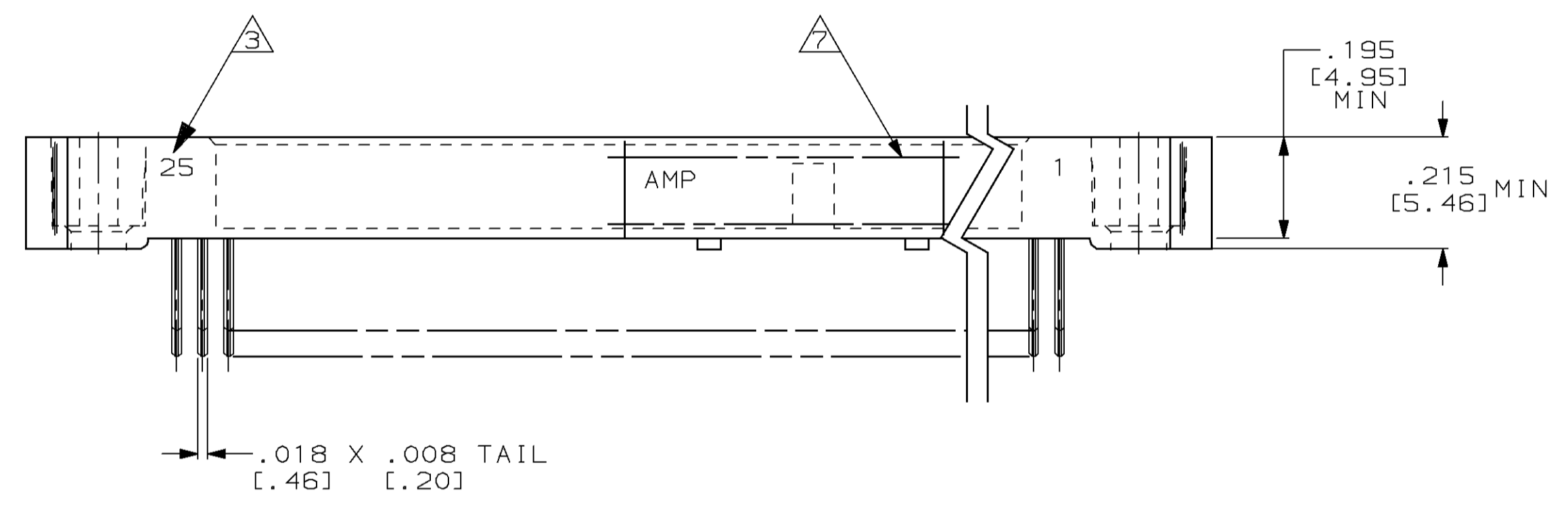


PROJ	LOC	Q1ST	REVISIONS						
CODE	DF	F0	P	F	ZONE	LTR	DESCRIPTION	DATE	APPD
						B	REDRAWN PER EC DF-5331 TA	1-3-92	DG
						C	REV PER DF-6825 TA	3-31-93	DG
						D	REV PER 0600-0297-93 TA	12-21-93	DG
						E	REV PER 0600-3448-95 TA	1-17-96	DG
						F	REV PER 0600-5606-96 TT	08-97	DG



RECM. .P.C. BD. LAYOUT



- ① HOUSING MATERIAL: LIQUID CRYSTAL POLYMER PER MIL-M-24519, GLCP-30F; COLOR: GRAY.
- ② CONTACT MATERIAL: BRASS.
- ③ END CAVITY IDENTIFICATION NUMBERS MARKED ON FAR SIDE SURFACE (SEE TABLE).
- 4. MUST MEET REQUIREMENTS OF MIL-C-55302.
- ⑤ ON -2 ONLY.
- ⑥ CONTACT FINISH: .000050 GOLD IN CONTACT AREA, TIN-LEAD ON TINES, ALL OVER NICKEL UNDERPLATE.
- ⑦ "AMP", P/N & DATE CODE, MARKED IN THIS APPROXIMATE AREA, FAR SIDE.

CONTACT IDENT NUMBERS	E	D	C	B	A	NUMBER OF CONTACTS	PART NUMBER
1 - 50	2.300 [58.42]	2.450 [62.23]	49	2.750 [69.85]	3.040 [77.22]	100	446346-2
1 - 25	1.050 [26.67]	1.200 [30.48]	24	1.500 [38.10]	1.790 [45.47]	50	446346-1

DO NOT SCALE PRINT. UNLESS SPECIFIED DIMENSIONS IN INCHES [mm] TOLERANCES ON: 2 PLC DEC ± - 3 PLC DEC ± .005 [0.13] ANGLES ± -	DR 11-22-91 T. ALEXANDER CHK 1-3-92 D. GUTTER APPD 1-3-92 D. GUTTER APPD 1-7-92 T. ALEXANDER PRODUCT SPEC -	AMP AMP Incorporated Harrisburg, PA 17105-3608 NAME RECEPTACLE ASSEMBLY, MINI-BOX, SPECIAL
FINISH ⑥	APPLICATION SPEC -	
SCALE 4:1	SIZE D CAGE CODE 00779 DRAWING NO 446346 SHEET 1 OF 1	