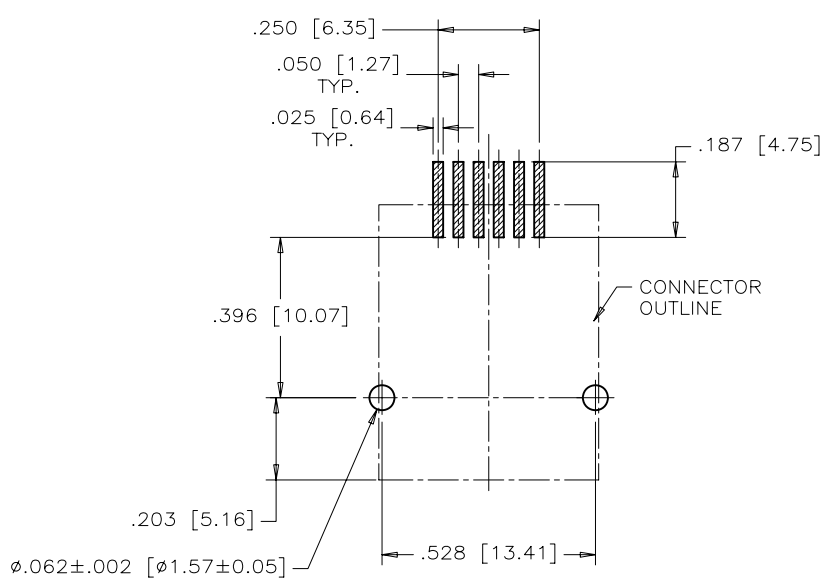
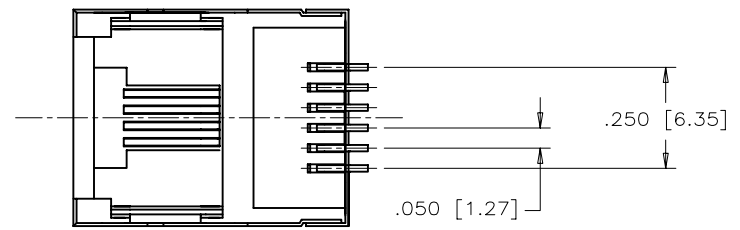
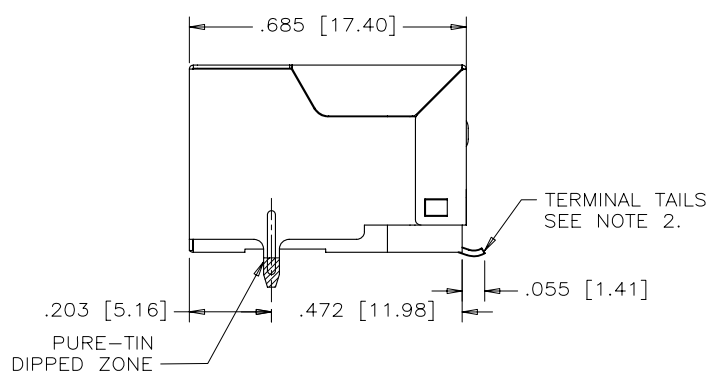
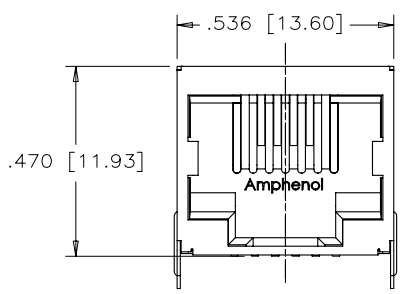


REVISIONS				
SYM	ZONE	ECN, ERN NO.	DATE	APPRD.
A		PROPOSAL	MAY8/08	L.CHAN



RECOMMENDED P.C.B. LAYOUT
(COMPONENT SIDE OF BOARD)

NOTES:

1. MATERIALS:

HOUSING: HIGH TEMPERATURE RESISTANT NYLON.
FLAMMABILITY RATING UL 94V-0
COLOUR: BLACK

CONTACTS: PHOSPHOR BRONZE
PLATING: GOLD PLATED REFER TO PART NUMBER ON MATING SURFACES.
50 U" [1.27 MICRONS] MIN. NICKEL UNDERPLATE.
100 U" [2.54 MICRONS] MIN. MATTE-TIN ON CONTACT TAILS.

SHIELD: COPPER ALLOY PLATED NICKEL WITH PURE-TIN DIPPED ON SOLDER TAIL

2. COPLANARITY SPECIFICATION:

WITH THE MODULAR JACK SITTING ON A LEVEL SURFACE, THE MAXIMUM GAP BETWEEN THE LEVEL SURFACE AND ALL TERMINAL TAILS AND BOTH FITTING NAILS IS .004 [0.10].

AMPHENOL PART NO.: RJLSE-6X361-01T

GOLD PLATING	
0	= 06 u"
1	= 15 u"
2	= 30 u"
3	= 50 u"

THIS DOCUMENT CONTAINS PROPRIETARY INFORMATION AND SUCH INFORMATION MAY NOT BE DISCLOSED TO OTHERS FOR ANY PURPOSE OR USED FOR MANUFACTURING PURPOSES WITHOUT WRITTEN PERMISSION FROM AMPHENOL CANADA CORP.

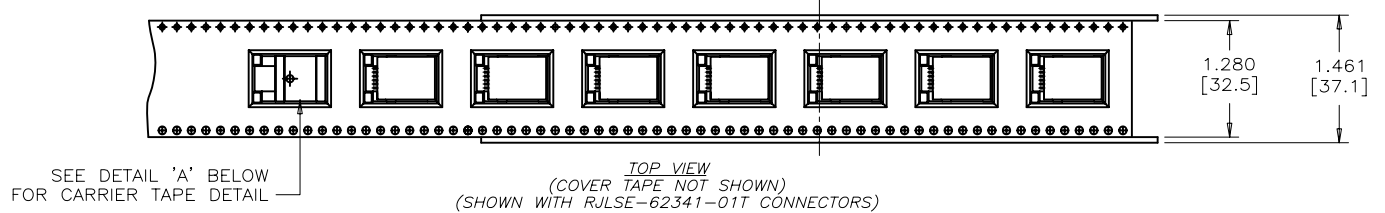
DRAWN	J.OUYANG	DATE	MAY8/08
DESIGNED	MT.CHAN	DATE	MAY8/08
CHECKED	L.CHAN	DATE	MAY8/08
I. E. APPRD.			
Q. A. APPRD.			
DWG. APPRD.			
ENG. REL. NO.			
REF.			
DIMENSIONS ARE IN	CODE ID. NO.		
INCHES [mm]	03554		

Amphenol Canada Corp.			
TITLE SURFACE MOUNT MODULAR JACK 6 POSITION, 6 CONTACTS, WITH SHIELD, WITH TAPE & REEL PACKAGING-ROHS COMPLIANT			
DWG	DRAWING NO.	REV.	
	P-RJLSE-6X361-01T	A	
SCALE	WT.	SURF.	SHEET 1 OF 2

REVISIONS				
SYM	ZONE	ECN, ERN NO.	DATE	APPRD.
A		PROPOSAL	MAY8/08	L.CHAN

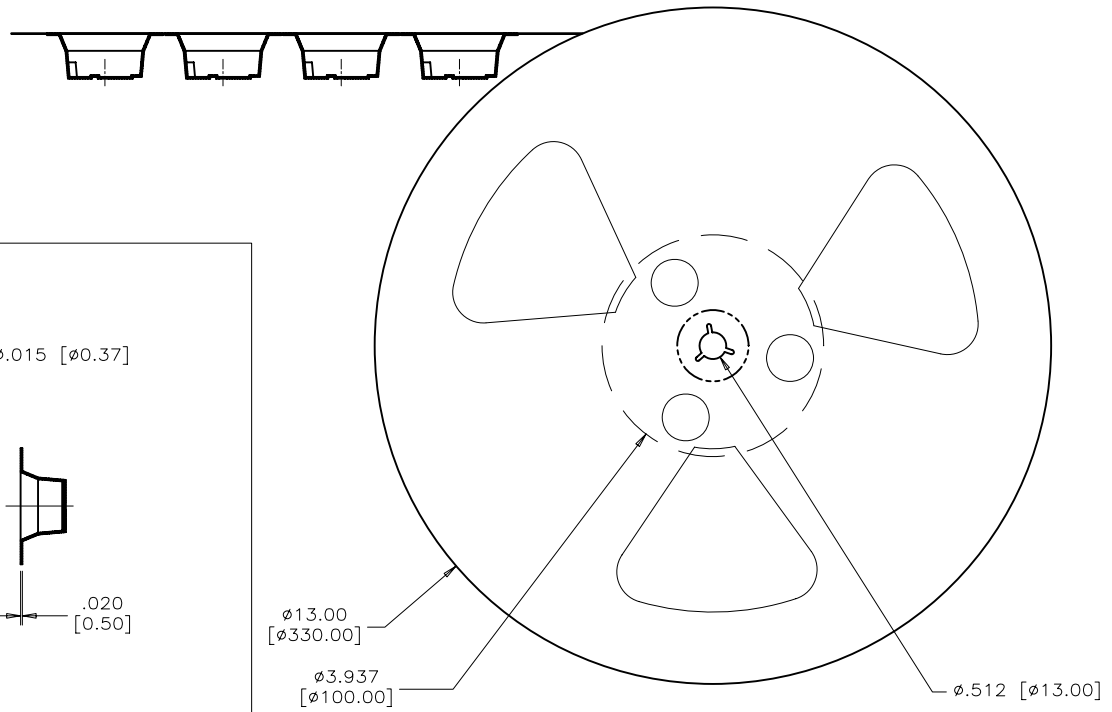
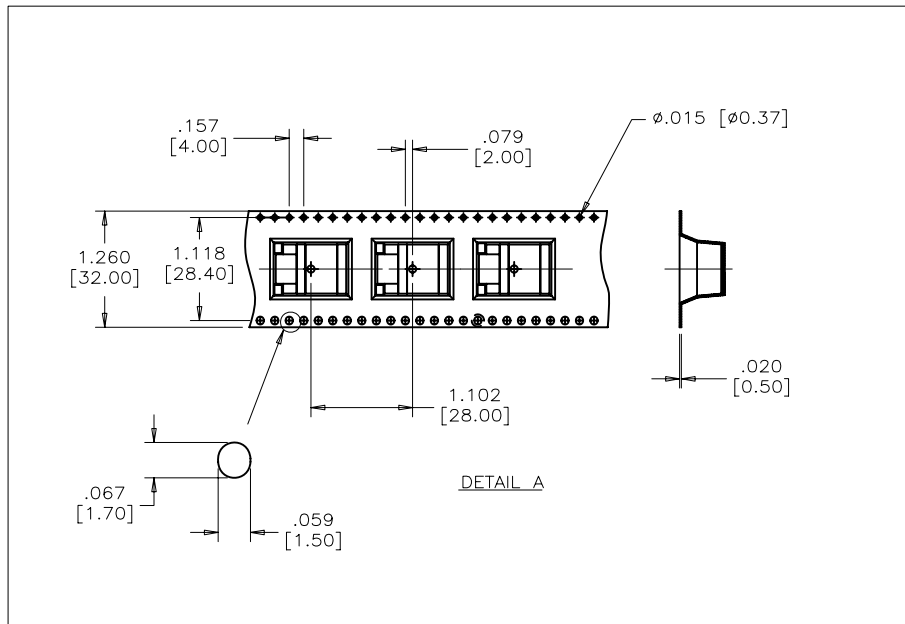


← DIRECTION OF CONNECTOR LOADED INTO MACHINE.
LEADS FACING FRONT SIDE



PACKAGING NOTES:

1. ONE REEL SHOULD HOLD 130 CONNECTORS.
2. 25 EMPTY CAVITIES FOR CARRIER TAPE LEADER & 10 EMPTY CAVITIES FOR CARRIER TAPE TRAILER.
3. A FULLY LOADED CARTON SHOULD CONTAIN 7 REELS (910 PCS) OF CONNECTORS.



DRAWN	J.OUYANG	DATE	MAY8/08
DESIGNED	MT.CHEN	DATE	MAY8/08
CHECKED	L.CHAN	DATE	MAY8/08
I. E. APPRD.			
Q. A. APPRD.			
DWG. APPRD.			
ENG. REL. NO.			
REF.			
DIMENSIONS ARE IN	CODE ID. NO.		
INCHES [mm]	03554		

Amphenol Canada Corp.			
TITLE SURFACE MOUNT MODULAR JACK 6 POSITION, 6 CONTACTS, WITH SHIELD, WITH TAPE & REEL PACKAGING-ROHS COMPLIANT			
DWG	DRAWING NO.	P-RJLSE-6X361-01T	REV. A
SCALE	NTS	WT. -----	SURF. -----
SHEET 2 OF 2			

THIS DOCUMENT CONTAINS PROPRIETARY INFORMATION AND SUCH INFORMATION MAY NOT BE DISCLOSED TO OTHERS FOR ANY PURPOSE OR USED FOR MANUFACTURING PURPOSES WITHOUT WRITTEN PERMISSION FROM AMPHENOL CANADA CORP.