

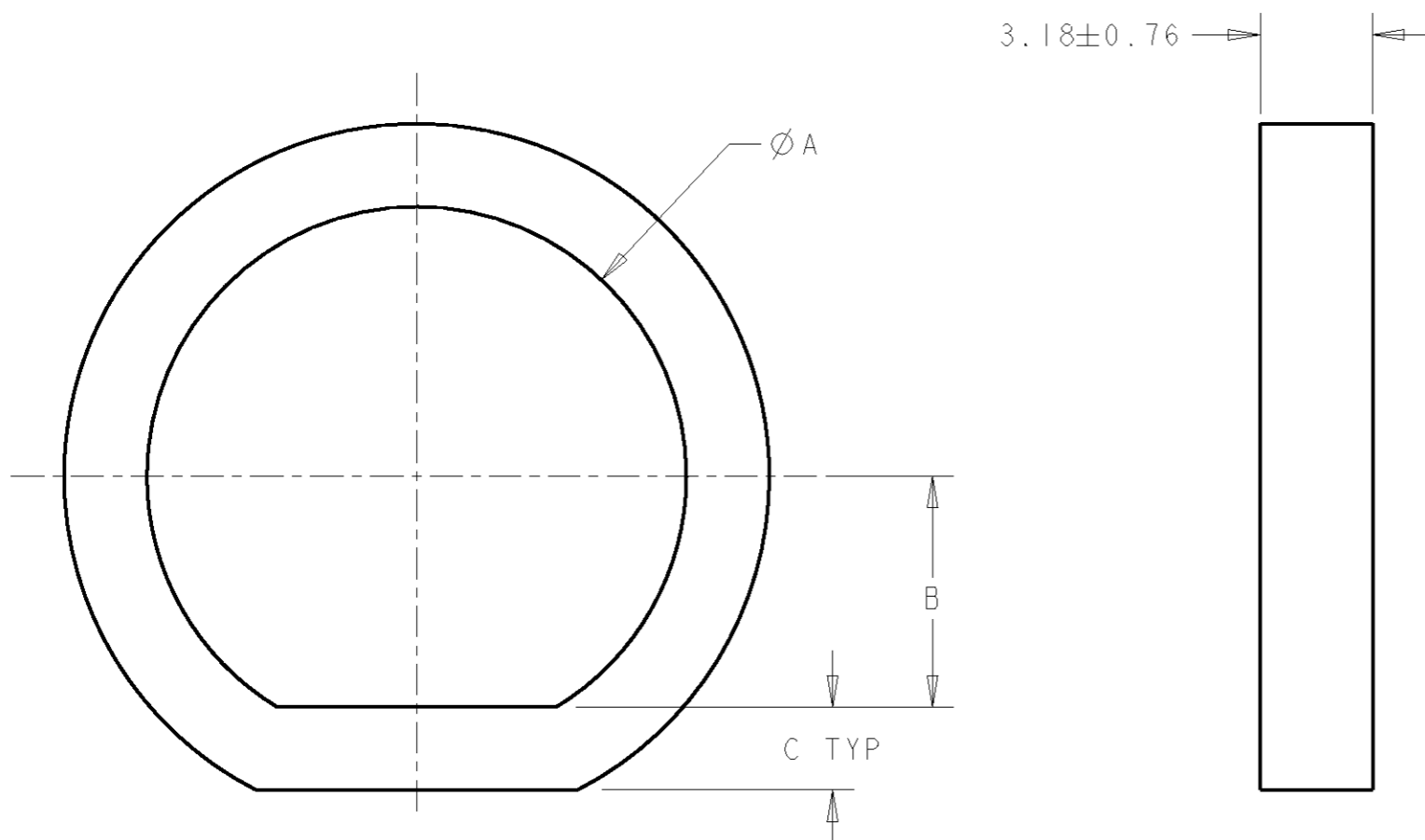
THIS DRAWING IS UNPUBLISHED.

RELEASED FOR PUBLICATION

© COPYRIGHT

ALL RIGHTS RESERVED.

LOC	DIST	REVISIONS					
FT	0	P	LTR	DESCRIPTION	DATE	DWN	APVD
		C2		REVISED PER ECO-11-005140	19APR11	RK	HMR



PRELIMINARY	1.50	6.55	15.3	1445420-8
	2.35	10.5	23.1	1445420-7
② OBSOLETE	2.35	5.25	12.5	1445420-6
	2.35	6.0	14.0	1445420-5
② OBSOLETE	2.35	4.2	9.25	1445420-4
	2.35	4.5	10.9	1445420-3
	2.35	8.5	18.5	1445420-2
	2.35	6.55	15.3	1445420-1
	C	B	A	PART NUMBER

- ① MATERIAL: NEOPRENE CLOSED CELL SPONGE, COLOR-BLACK.
- ② OBSOLETE PARTS : OBSOLETE CIS STREAMLINING PER D.RENAUD/D.SINISI

DOWNSHIP: 04JUN2003 G DOUTY			
CHECKED: 18JUL2003 H.WALEEM			
APPROVED: 18JUL2003 H.WAKFEM		NAME: SEAL, PANEL	
DIMENSIONS: mm		PRODUCT SPEC: -	
TOLERANCES UNLESS OTHERWISE SPECIFIED:		APPLICATION SPEC: -	
0 PLC ±0 1 PLC ±0.51 2 PLC ±0.51 3 PLC ±- 4 PLC ±- ANGLES ±-		SIZE: A3	
MATERIAL: ①		CAGE CODE: 00779	
FINISH: -		DRAWING NO: 1445420	
CUSTOMER DRAWING		RESTRICTED TO: -	
		SCALE: 5.1	
		SHEET: 1 OF 1	
		REV: C2	