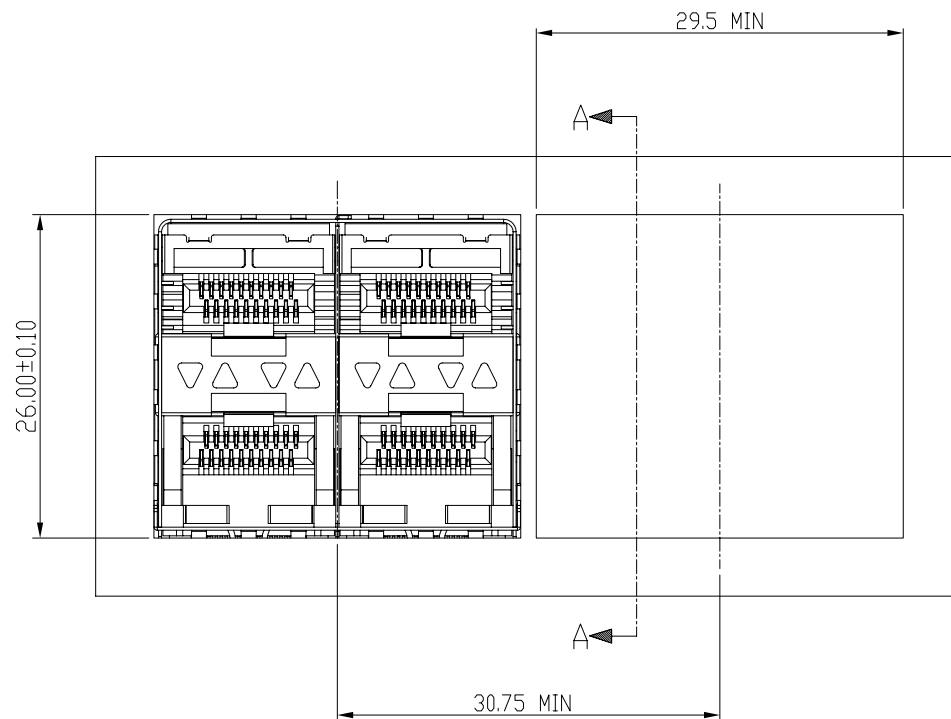
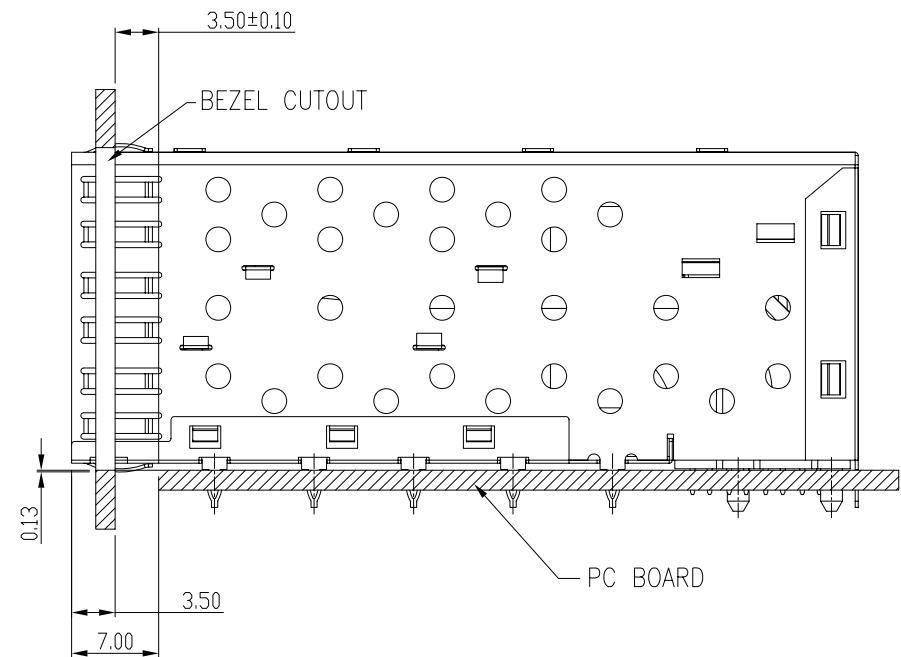


Qty Per:	TRAY	CARTON		
	12	72		
PART NUMBER	STATEMENT			
SFP004-L	INNER/OUTER LIGHT PIPES			
No.	DESCRIPTION	Q'ty	MATERIAL	PLATING
01	SFP CAGE (Non-Logo)	1	COPPER ALLOY	NICKEL
02	CONNECTOR	2	HIGH TEMP/COPPER ALLOY	GOLD
03	LIGHT PIPES	2	POLYCARBONITE	

DETACHED LISTS	MM (INCH)	RoHS Compliant		
	TOLERANCES EXCEPT AS NOTED	TITLE SFP 2 BY 2 CAGE+CONNECTOR_P W/LIGHT PIPES		
	MM .0 ± 0.25 ± .00 ± 0.2 ± .000 ± 0.10 ± ANGLES ± 0.5	DFTD Jack DATE 11/20/08'		
	THIRD ANGLE PROJECTION	SCALE : 2:1	DRAWING NO. CSFP004-L /PART NO. SFP004-L	SIZE A3
			DO NOT SCALE DRAWING	REV 1
			SHEET 1	OF 4



BEZEL CUT-OUT CENTER SPACING DETAIL
BEZEL THICKNESS:0.8-2.6



SECTION A-A

MM (INCH)		RoHS Compliant			
TOLERANCES EXCEPT AS NOTED					
MM		±		±	
.0 ± 0.25		±		±	
.00 ± 0.2		±		±	
.000 ± 0.10		±		±	
ANGLES ± 0.5					
		THIRD ANGLE PROJECTION			
DFTD Jack DATE 11/20/08'		DRAWING NO. CSFP004-L /PART NO. SFP004-L		SIZE A3 REV 1	
SCALE : 2:1		DO NOT SCALE DRAWING		SHEET 2 OF 4	
TITLE W/LIGHT PIPES SFP 2 BY 2 CAGE+CONNECTOR_P					

8

7

6

5

4

3

2

1

H

G

F

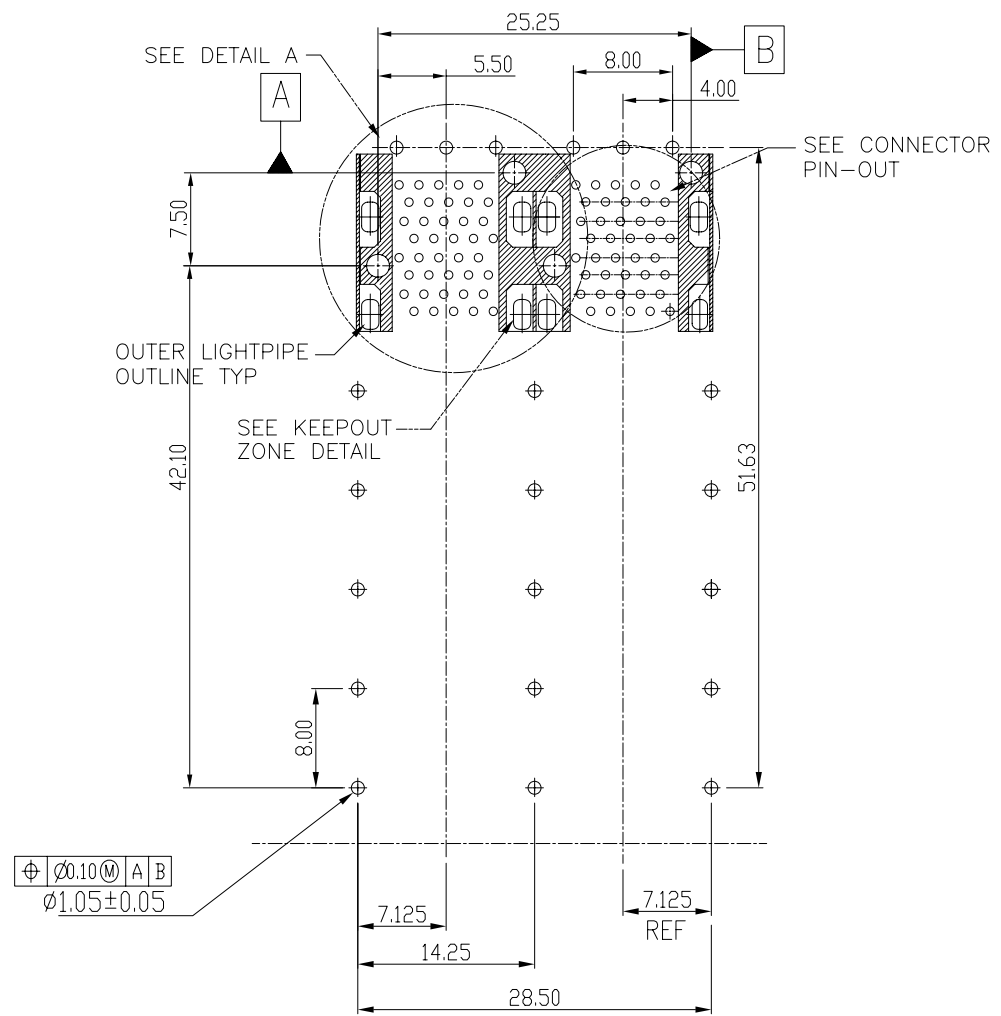
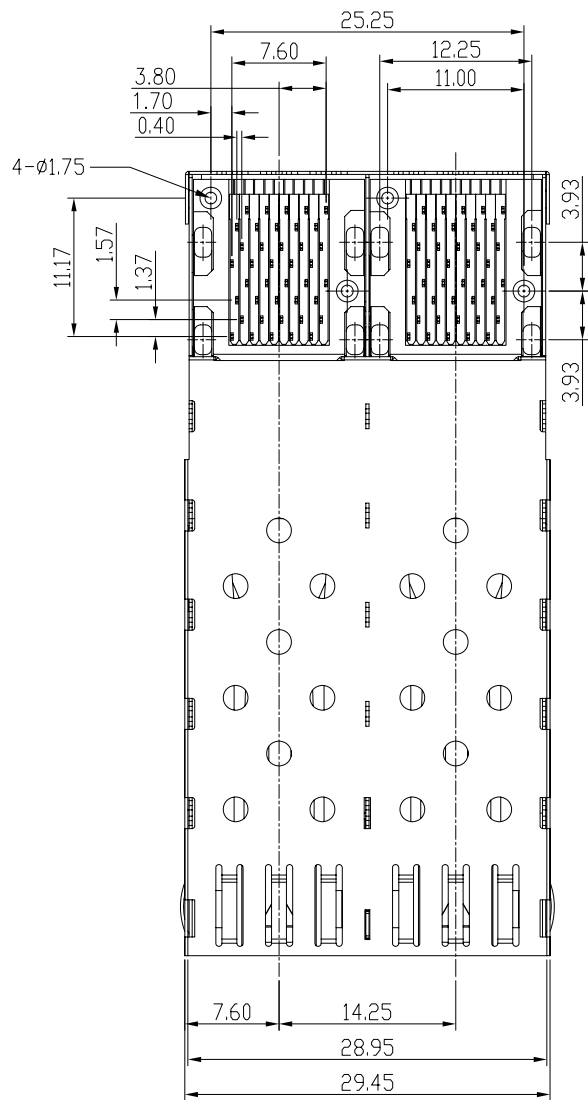
E

D

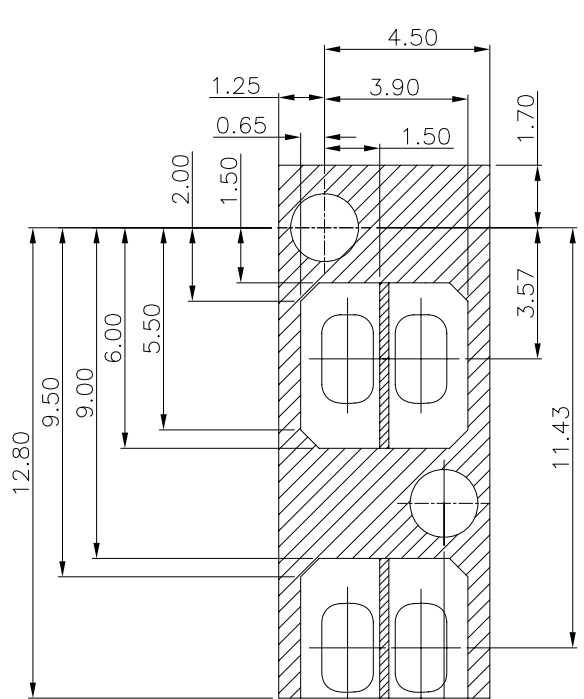
C

B

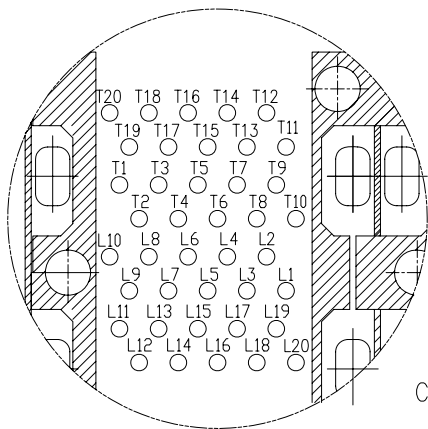
A



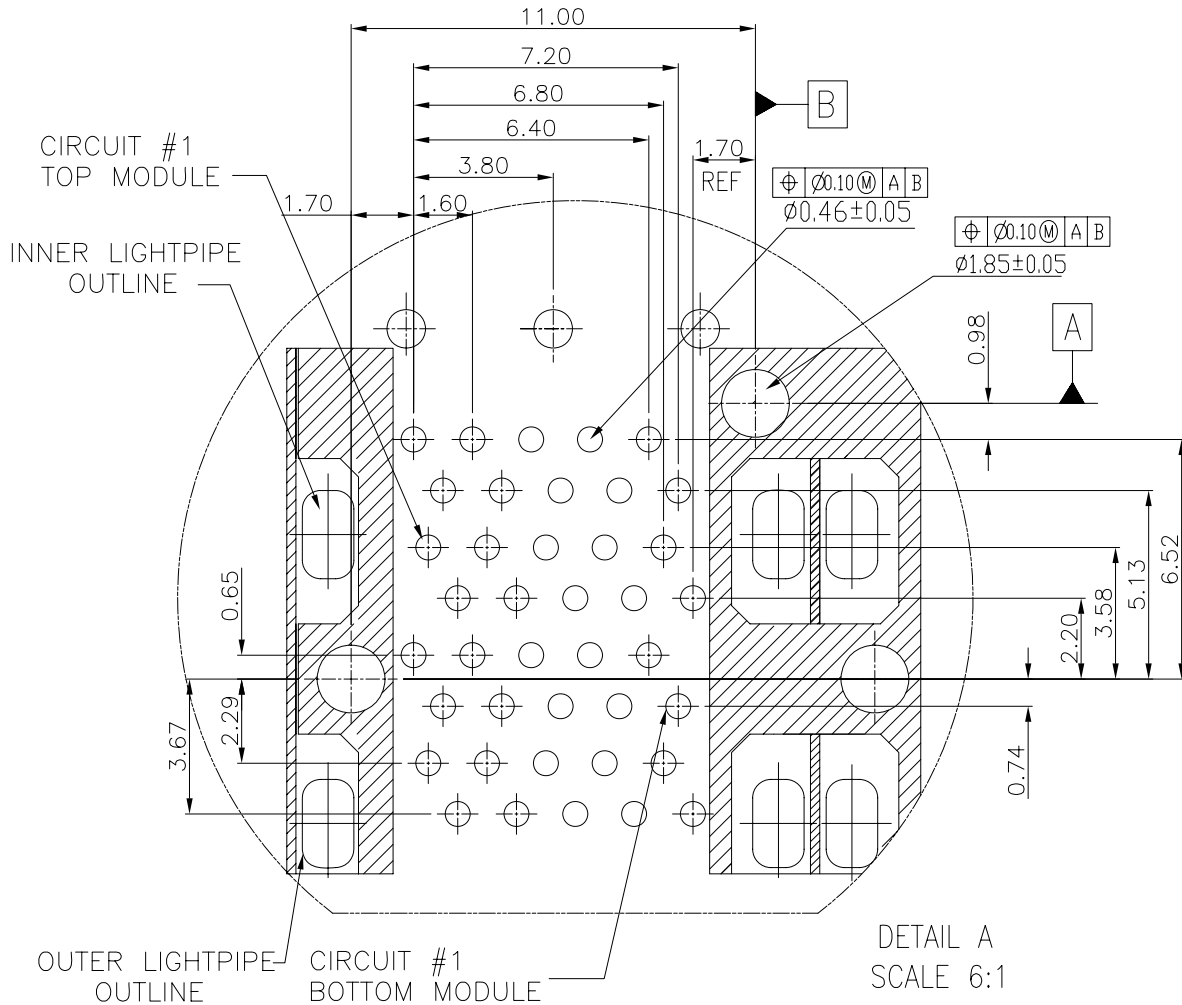
MM (INCH)		RoHS Compliant			
TOLERANCES EXCEPT AS NOTED		TITLE SFP 2 BY 2 CAGE+CONNECTOR_P W/LIGHT PIPES			
MM .0 ± 0.25 .00 ± 0.2 .000 ± 0.10	± ± ±	DRAWING NO. CSFP004-L /PART NO. SFP004-L		SIZE A3	REV 1
ANGLES ± 0.5		DFTD Jack DATE 11/20/08		DO NOT SCALE DRAWING	
THIRD ANGLE PROJECTION		SCALE : 2:1		SHEET 3 OF 4	



KEEPOUT ZONE DETAIL
SCALE 6:1



CONNECTOR PIN-OUT
COMPONENT SIDE OF BOARD



MM (INCH)		RoHS Compliant		Pulse A TECHNITROL COMPANY	
TOLERANCES EXCEPT AS NOTED		TITLE SFP 2 BY 2 CAGE+CONNECTOR_P			
W/LIGHT PIPES		DFTD Jack		DRAWING NO. CSFP004-L	
DATE 11/20/08		/PART NO. SFP004-L		SIZE A3	REV 1
SCALE : 2:1		DO NOT SCALE DRAWING		SHEET 4 OF 4	