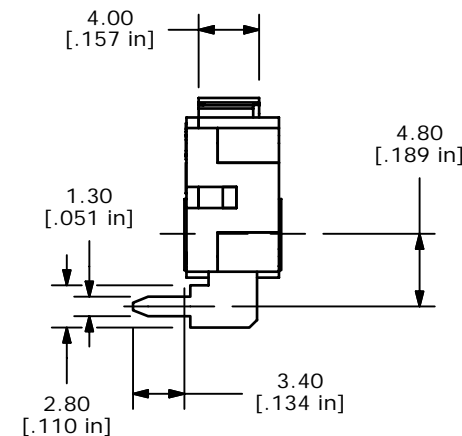
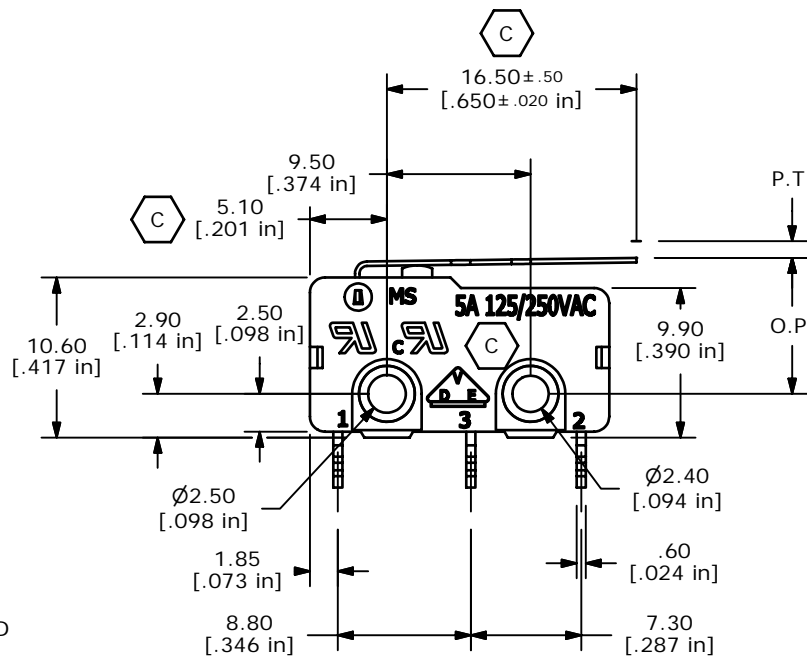
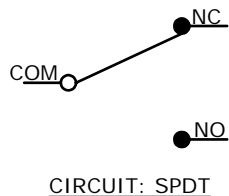


ISOMETRIC

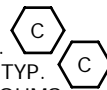
O.P. (MM)	P.T. (MM)
9.1 ±0.8	3.8 MAX

O.P. = OPERATING POINT  
P.T. = PRE-TRAVEL



NOTES:

- ALL DIMENSIONS IN MM [INCH]
- GENERAL TOLERANCE: X.X=±0.4  
X.XX=±0.25
- RATING: 5A @125/250VAC UL, CUL, VDE APPROVED
- ▲ OPERATING FORCE: 50± 20 GRAMS
- OPERATING TEMP: -25°C TO 85°C
- ELECTRICAL LIFE: 50,000 CYCLES MIN.
- MECHANICAL LIFE: 1,000,000 CYCLES TYP.
- INSULATION RESISTANCE: 100 MEGA-OHMS
- DIELECTRIC STRENGTH: 1000VAC 1 MINUTE (INITIAL VALUE)
- CONTACT RESISTANCE: 100 MILLI-OHMS MAX.
- ▲ DENOTES CRITICAL PARAMETER.
- 2002/95/EC (ROHS) COMPLIANT



REV	PCR NO	DESCRIPTION	DATE	BY
C	15662	CHANGES NOTED	1/5/06	PH
B	15283	EDIT PC MOUNT, ADDED ROHS NOTE	9/15/05	PH
A	15051	RELEASED FOR PRODUCTION	7/1/05	JB

THE INFORMATION CONTAINED IN THIS DOCUMENT IS PROPRIETARY TO E-SWITCH AND IS NOT TO BE COPIED OR TRANSFERRED



TITLE MS0850502F050V2A

SCALE	DATE	DR	DWG	REV
2:1	7/1/2005	JB	Q970022	C