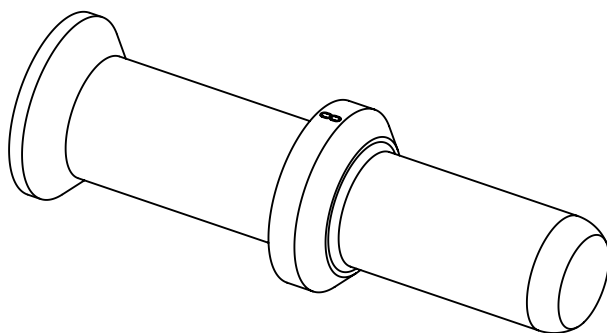


assembly notes see catalog
 crimp zone acc. to DIN EN 46235, indicator 8
 for stranded fine wire acc. to VDE 0295 class5/ IEC 60228 class 5
 wire gauge: 16mm²
 stripping length: 19mm



	All Dimensions in mm Original Size DIN A4		Scale 2:1	Free size tol.		Ref.	
						Sub.	
	All rights reserved		Created by SCHULZI	Inspected by SCHNIEDER	Standardisation SCHMIDTM	Date 2015-01-27	State Final Release
	Department EL PD - DE		Title Han TC100 male contact 16mm ²			Doc-Key / ECM-Nr. 100215702/UGD/003/C 500000082399	
HARTING Electric GmbH & Co. KG D-32339 Espelkamp			Type TB	Number 09 11 000 6116		Rev. C	Page 1/1