



# PS CONNECTOR

## Connectors for tabs

- Secure locking, easy insertion
- Stable contact performance
- Mis-insertion prevention mechanism and housing lance

### Standards

Recognized E60389

Certified LR20812

R9850196

### Specifications

- Current rating: 25A AC, DC(#250/AWG #10)
- Voltage rating: 250V AC, DC
- Temperature range: -40°C to +105°C  
(including temperature rise in applying electrical current)
- Contact resistance: Initial value/ 3m Ω max.  
After environmental testing/ 6m Ω max.
- Insulation resistance: 1,000M Ω min.
- Withstanding voltage: 2,000V AC/ minute
- Applicable wire: #110...AWG #24 to #16  
#187...AWG #26 to #14  
#205...AWG #22 to #14  
#250...AWG #22 to #10
- Applicable Tab: #110 Tab 0.5mm thick  
#187 Tab 0.5mm/0.8mm thick  
#205 Tab 0.5mm/0.8mm thick  
#250 Tab 0.8mm thick

\* Compliant with RoHS.

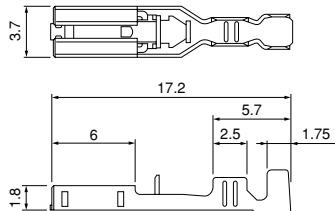
\* Refer to "General Instruction and Notice when using Terminals and Connectors" at the end of this catalog.

\* Contact JST for details.

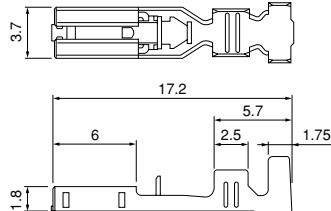
### Contact

#### #110 Series

##### SPS-01T-110



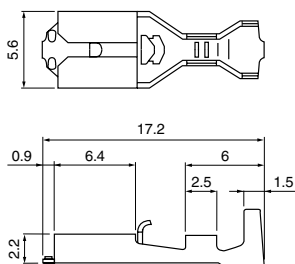
##### SPS-41T-110



#### #187 Series

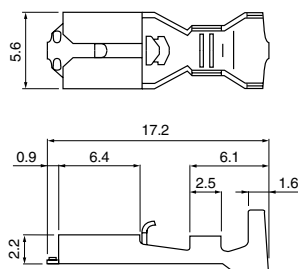
##### SPS-01T-187

(for 0.5mm thick tabs)



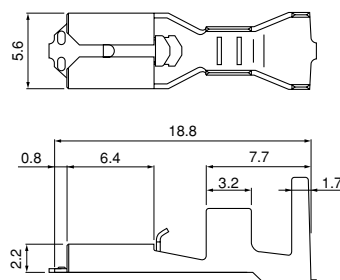
##### SPS-51T-187

(for 0.5mm thick tabs)



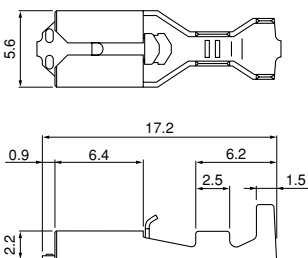
##### SPS-82T-187

(for 0.5mm thick tabs)



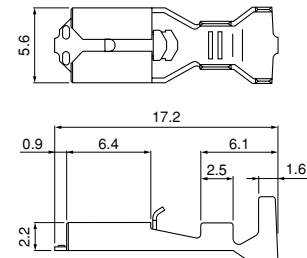
##### SPS-01T-187-8

(for 0.8mm thick tabs)



##### SPS-51T-187-8

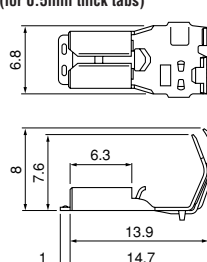
(for 0.8mm thick tabs)



#### <Flag type>

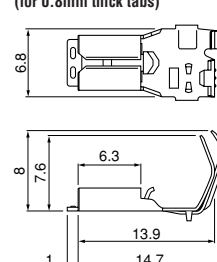
##### SFPS-41T-187

(for 0.5mm thick tabs)



##### SFPS-41T-187-8

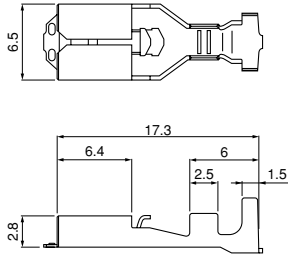
(for 0.8mm thick tabs)



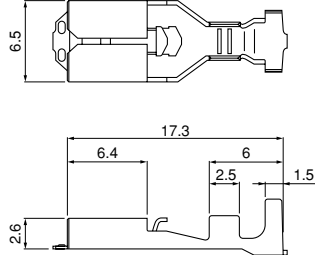
## Contact

### #205 Series

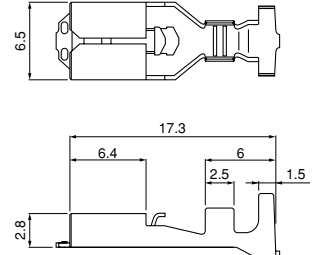
**SPS-21T-205**  
(for 0.8mm thick tabs)



**SPS-21T-205-5**  
(for 0.5mm thick tabs)

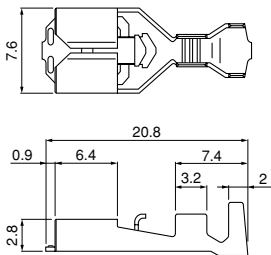


**SPS-51T-205**  
(for 0.8mm thick tabs)

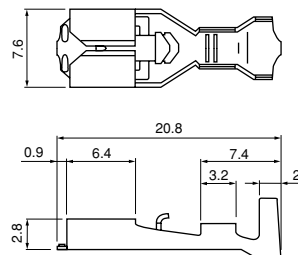


### #250 Series

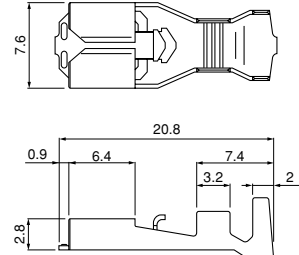
**SPS-21T-250**



**SPS-61T-250**

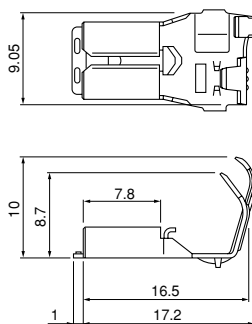


**SPS-91T-250**

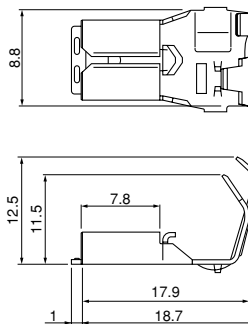


### <Flag type>

**SFPS-61T-250**

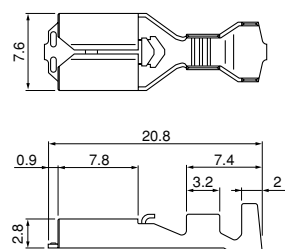


**SFPS-91T-250**

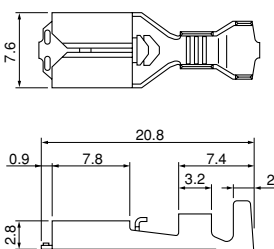


### #250S Series

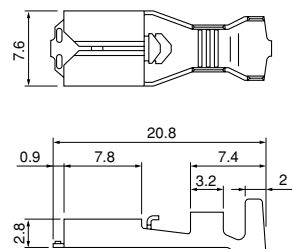
**SPS-21T-250S**



**SPS-61T-250S**



**SPS-91T-250S**



# PS CONNECTOR

## Contact

Series	Model No.	Applicable wire		Insulation O.D.(mm)	Q'ty / reel
		mm <sup>2</sup>	AWG #		
#110	SPS-01T-110	0.21 ~ 0.5	24~20	1.0~2.5	10,000
	SPS-41T-110	0.5 ~ 1.31	20~16	1.9~3.4	10,000
#187	for 0.5mm thick tabs SPS-01T-187	0.13~0.5	26~20	1.3~3.4	10,000
	for 0.5mm thick tabs SPS-51T-187	0.5 ~ 2.0	20~14	1.9~3.6	7,500
	for 0.5mm thick tabs *SPS-82T-187	0.75+0.75~1.25+1.25	18+18~16+16	2.1+2.1~2.9+2.9	3,500
	for 0.8mm thick tabs SPS-01T-187-8	0.13~0.5	26~20	1.3~3.4	10,000
	for 0.8mm thick tabs SPS-51T-187-8	0.5 ~ 2.0	20~14	1.9~3.6	7,500
#187 flag	for 0.5mm thick tabs SFPS-41T-187	0.3 ~ 1.25	22~16	1.7~3.4	5,000
	for 0.8mm thick tabs SFPS-41T-187-8	0.3 ~ 1.31	22~16	1.7~3.4	5,000
#205	for 0.5mm thick tabs SPS-21T-205	0.3 ~ 0.75	22~18	1.5~3.1	5,000
	for 0.5mm thick tabs SPS-21T-205-5	0.3 ~ 0.75	22~18	1.5~3.1	5,000
	for 0.8mm thick tabs SPS-51T-205	0.5 ~ 2.0	20~14	1.9~3.6	5,000
#250	SPS-21T-250	0.3 ~ 0.75	22~18	1.5~3.1	5,000
	SPS-61T-250	0.75~2.0	18~14	2.1~3.9	5,000
	SPS-91T-250	2.0 ~ 5.5	14~10	3.0~4.7	4,000
#250 flag	SFPS-61T-250	0.75~2.0	18~14	2.1~3.9	3,000
	SFPS-91T-250	3.5 ~ 5.5	12~10	4.0~5.2	2,000
#250S	SPS-21T-250S	0.3 ~ 0.75	22~18	1.5~3.1	5,000
	SPS-61T-250S	0.75~2.0	18~14	2.1~3.9	5,000
	SPS-91T-250S	2.0 ~ 5.5	14~10	3.0~4.7	4,000

## Material and Finish

Brass, tin-plated (reflow treatment)

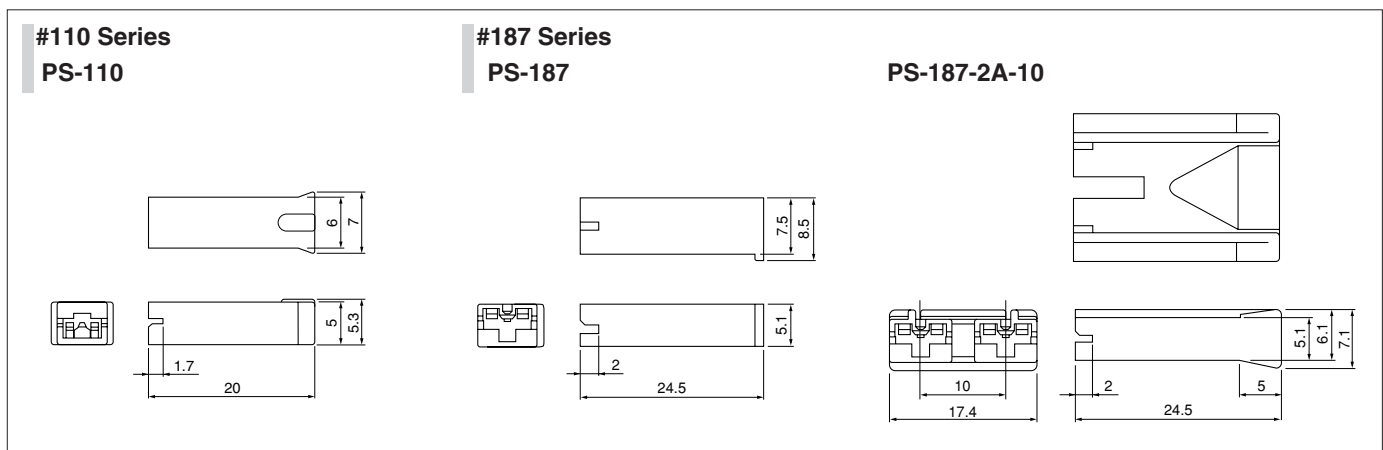
## RoHS compliance

Note: \*Marked product is not UL/CSA/TÜV approved.

Contact	Crimping machine	Applicator		
		Crimp applicator	Dies	Crimp applicator with dies
SPS-01T-110	AP-K2N	MK-L-SPS	MK/SPS-01-110	APLMK SPS01-110
		—	—	—
SPS-41T-110		MK-L-SPS	MK/SPS-41-110	APLMK SPS41-110
		—	—	—
SPS-01T-187 (-8)		MK-L-SPS	MK/SPS-01-187	APLMK SPS01-187
		—	—	—
SPS-51T-187 (-8)		MK-L-SPS	MK/SPS-51-187	APLMK SPS51-187
		—	—	—
SPS-82T-187		MK-L-SPS	MK/SPS-82-187	APLMK SPS82-187
		—	—	—
SFPS-41T-187 (-8)		MKF-L-PS187	MK/SFPS-41-187	APL SFPS41-187
		—	—	—
SPS-21T-205 (-5)	MK-L-SPS	MK/SPS-21-205	APLMK SPS21-205	
	—	—	—	

Contact	Crimping machine	Applicator		
		Crimp applicator	Dies	Crimp applicator with dies
SPS-51T-205	AP-K2N	MK-L-SPS	MK/SPS-51-205	APLMK SPS51-205
		—	—	—
SPS-21T-250 (S)		MK-L-SPS	MK/SPS-21-250	APLMK SPS21-250
		—	—	—
SPS-61T-250 (S)		MK-L-SPS	MK/SPS-61-250	APLMK SPS61-250
		—	—	—
SPS-91T-250 (S)		MK-L-SPS	MK/SPS-91-250	APLMK SPS91-250
		—	—	—
SFPS-61T-250		MKF-L-PS250	MK/SFPS-61-250	APL SFPS61-250
		—	—	—
SFPS-91T-250		MKF-L-PS9250	MK/SFPS-91-250	APL SFPS91-250
		—	—	—

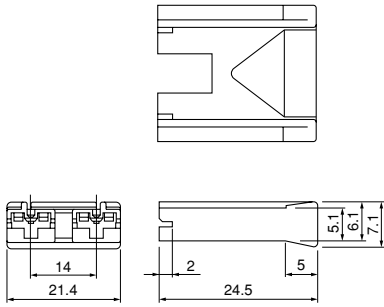
## Housing



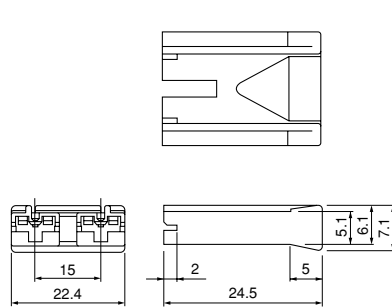
## Housing

### #187 Series

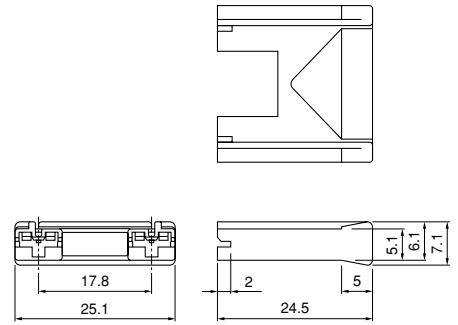
PS-187-2A-14



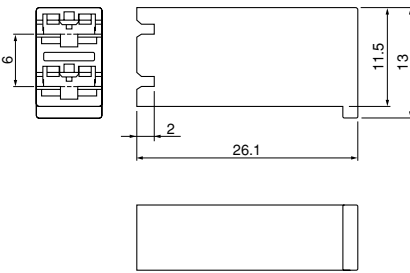
PS-187-2A-15



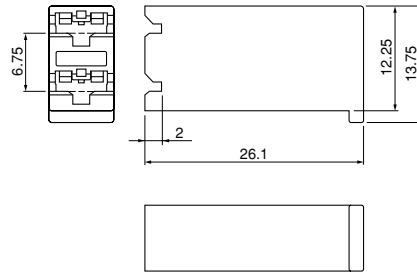
PS-187-2A-17.8



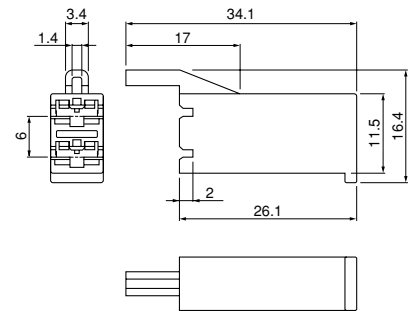
PS-187-2B



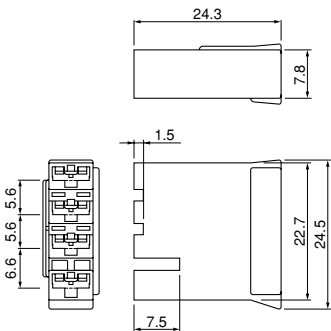
PS-187-2B-6.75



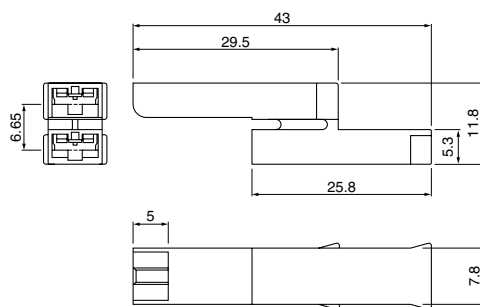
PS-187-2B1



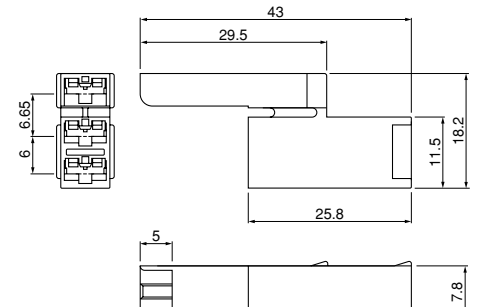
PS-187-4B



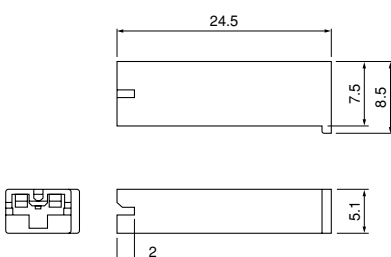
PS-187-2V



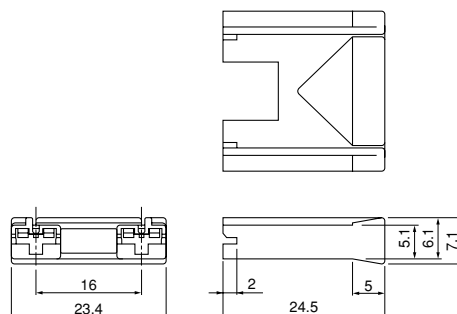
PS-187-3V



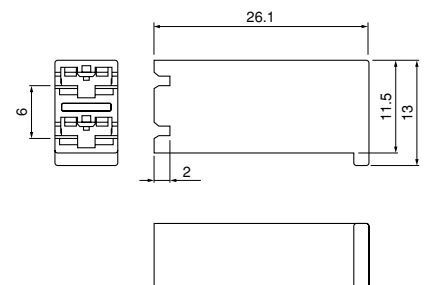
PS-187-8-H



PS-187-2A-16-8-H



PS-187-2B-8-H

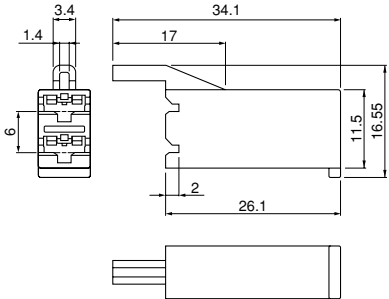


# PS CONNECTOR

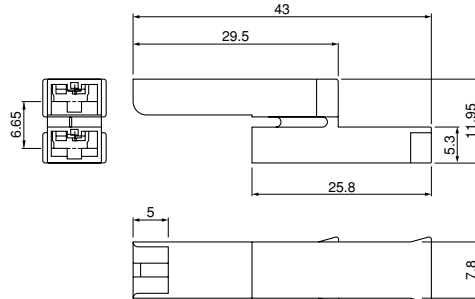
## Housing

### #187 Series

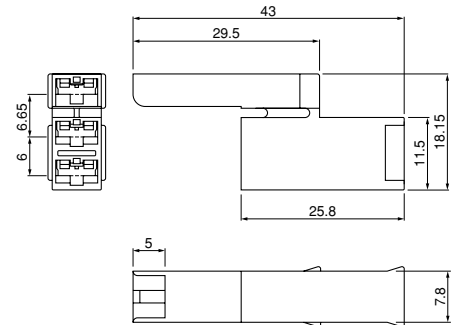
PS-187-2B1-8-H



PS-187-2V-8-H

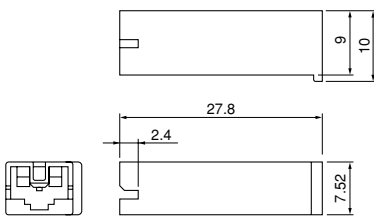


PS-187-3V-8-H

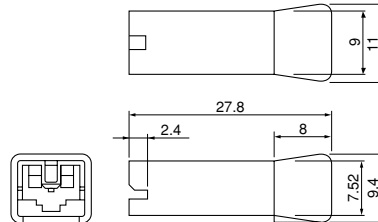


### #250 Series

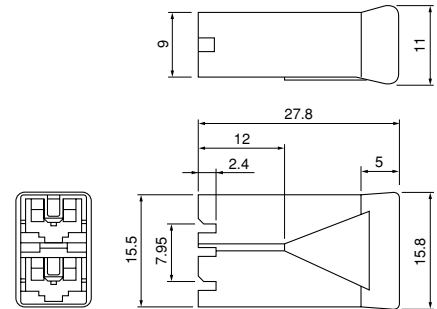
PS-250



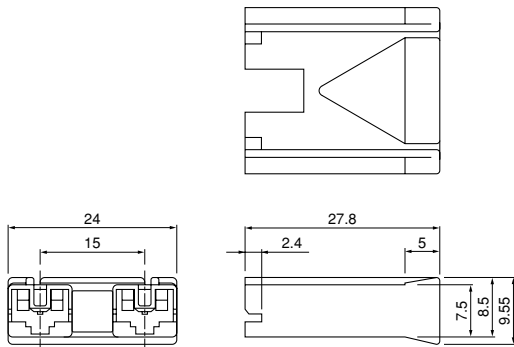
PS-250-A



PS-250-2B

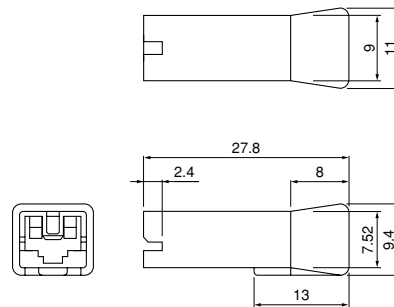


PS-250-2A-15



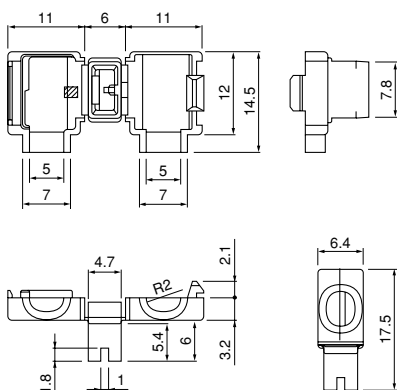
### #250S Series

NPS-250-A

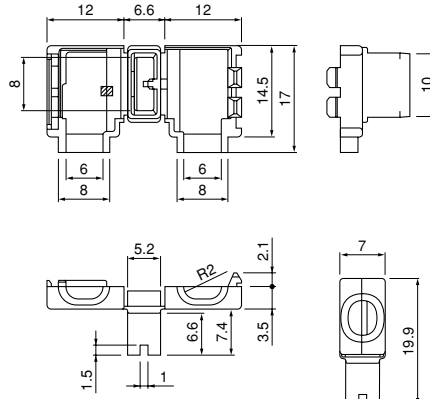


### One-touch sleeve

FPS-187



FPS-250



# PS CONNECTOR

## Housing

Series	Model No.	Q'ty / bag	Applicable terminal
#110	PS-110	1,000	SPS-01T-110, SPS-41T-110
#187	PS-187	1,000	SPS-01T-187 SPS-51T-187 SPS-82T-187
	PS-187-2A-10	500	
	PS-187-2A-14	500	
	PS-187-2A-15	500	
	PS-187-2A-17.8	500	
	PS-187-2B	500	
	PS-187-2B-6.75	500	
	PS-187-2B1	500	SPS-01T-187-8 SPS-51T-187-8
	PS-187-4B	500	
	PS-187-2V	500	
	PS-187-3V	500	
	*PS-187-8-H	1,000	
	*PS-187-2A-16-8-H	500	
*PS-187-2B-8-H	500	SPS-21T-250S SPS-61T-250S SPS-91T-250S	
*PS-187-2B1-8-H	500		
*PS-187-2V-8-H	500		
*PS-187-3V-8-H	500		
#250S	NPS-250-A	1,000	
#250	PS-250	1,000	SPS-21T-250
	PS-250-A	500	SPS-61T-250
	PS-250-2B	500	SPS-91T-250
One-touch sleeve	FPS-187	500	SFPS-41T-187
	FPS-250	500	SFPS-61T-250

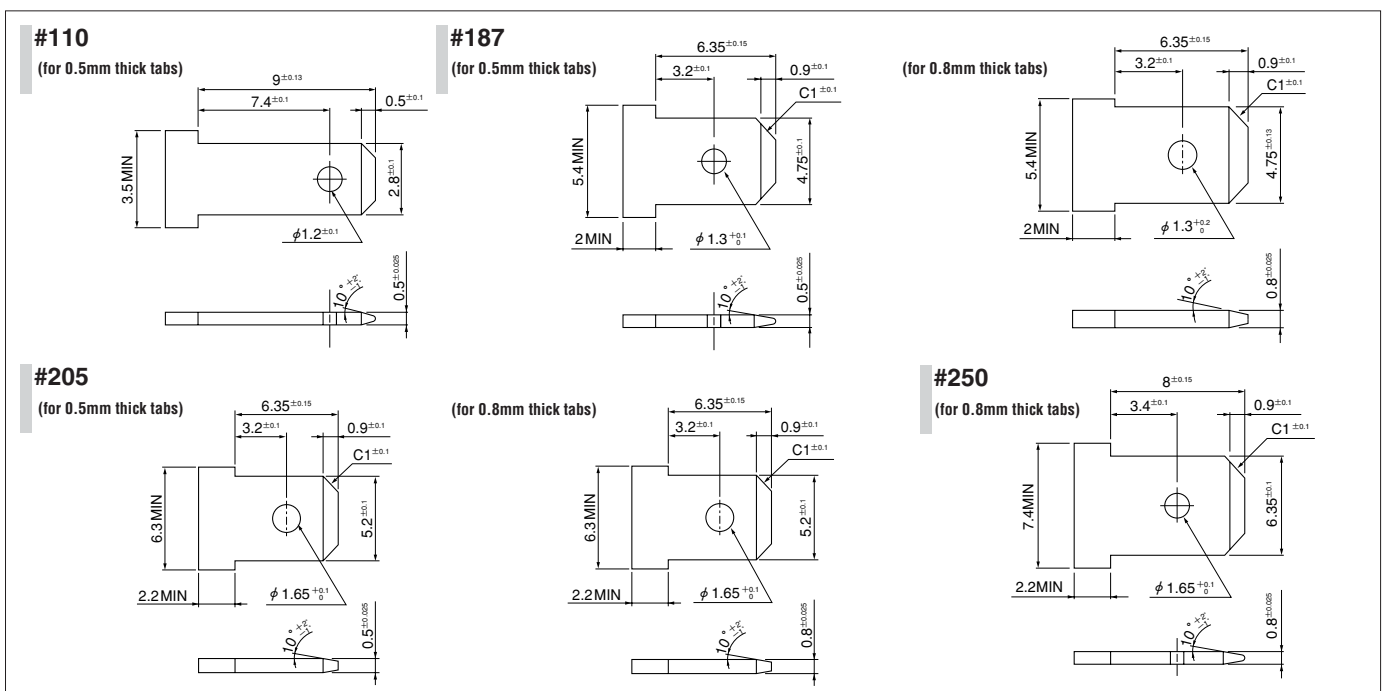
### Material and Finish

PA 66, UL94V-0, natural (white)  
UL94V-0, gray <\*-marked housing... for 0.8mm thick tabs>

### RoHS compliance

Note: FPS-187 and FPS-250 are UL recognized with File No. E55167 and CSA certified with File No. LR83372, but not TÜV approved.

## Applicable tab



- Note: 1. Contact JST when using PS connector for Micro-switch.  
2. Make sure there are no unneeded ribs or other protuberances on tab surfaces.  
3. Use the brass product for material.  
4. Contact JST when using PS-187-4B.