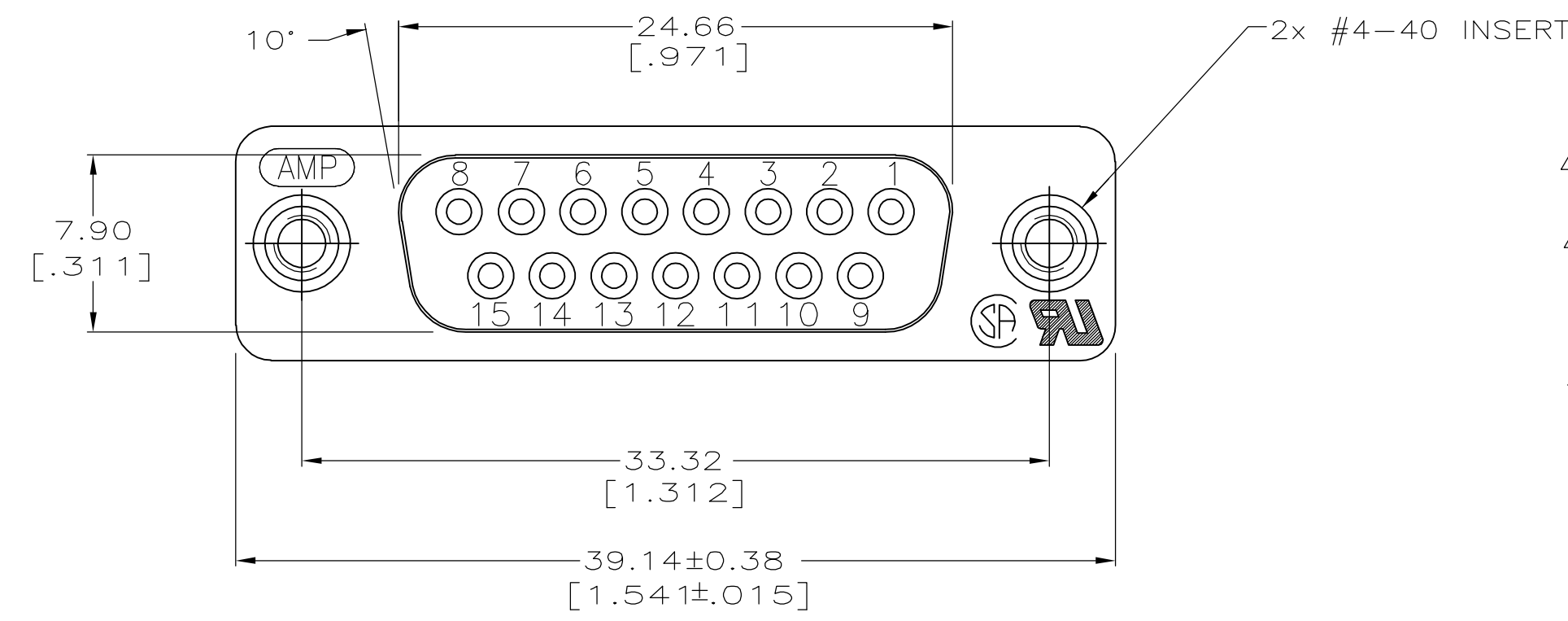
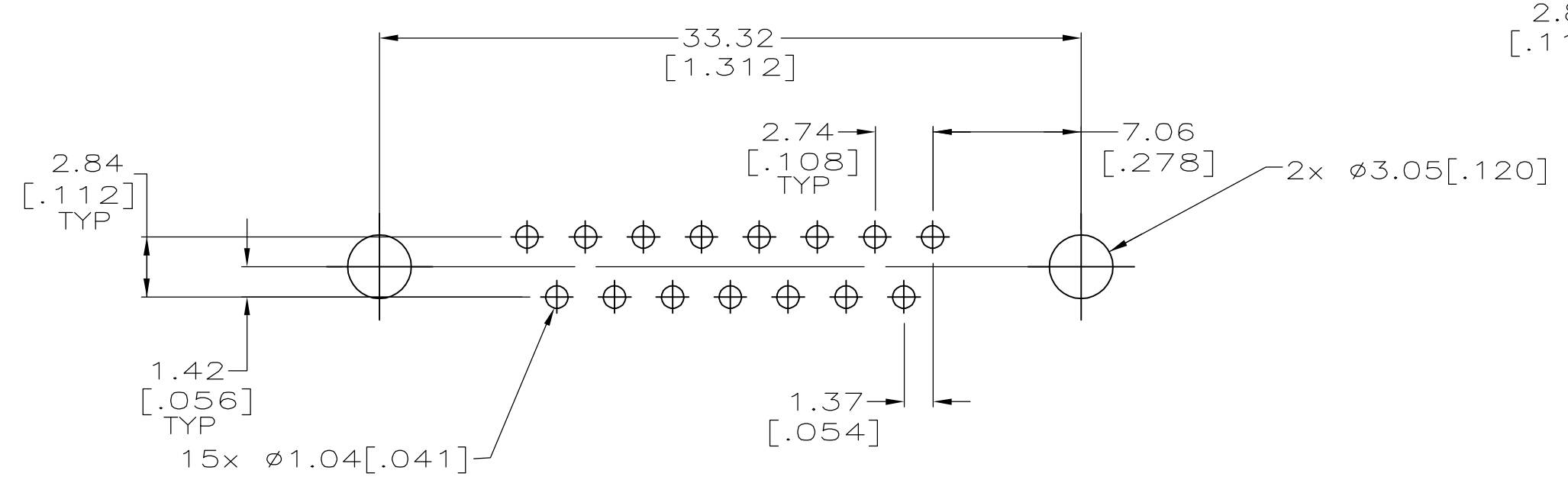
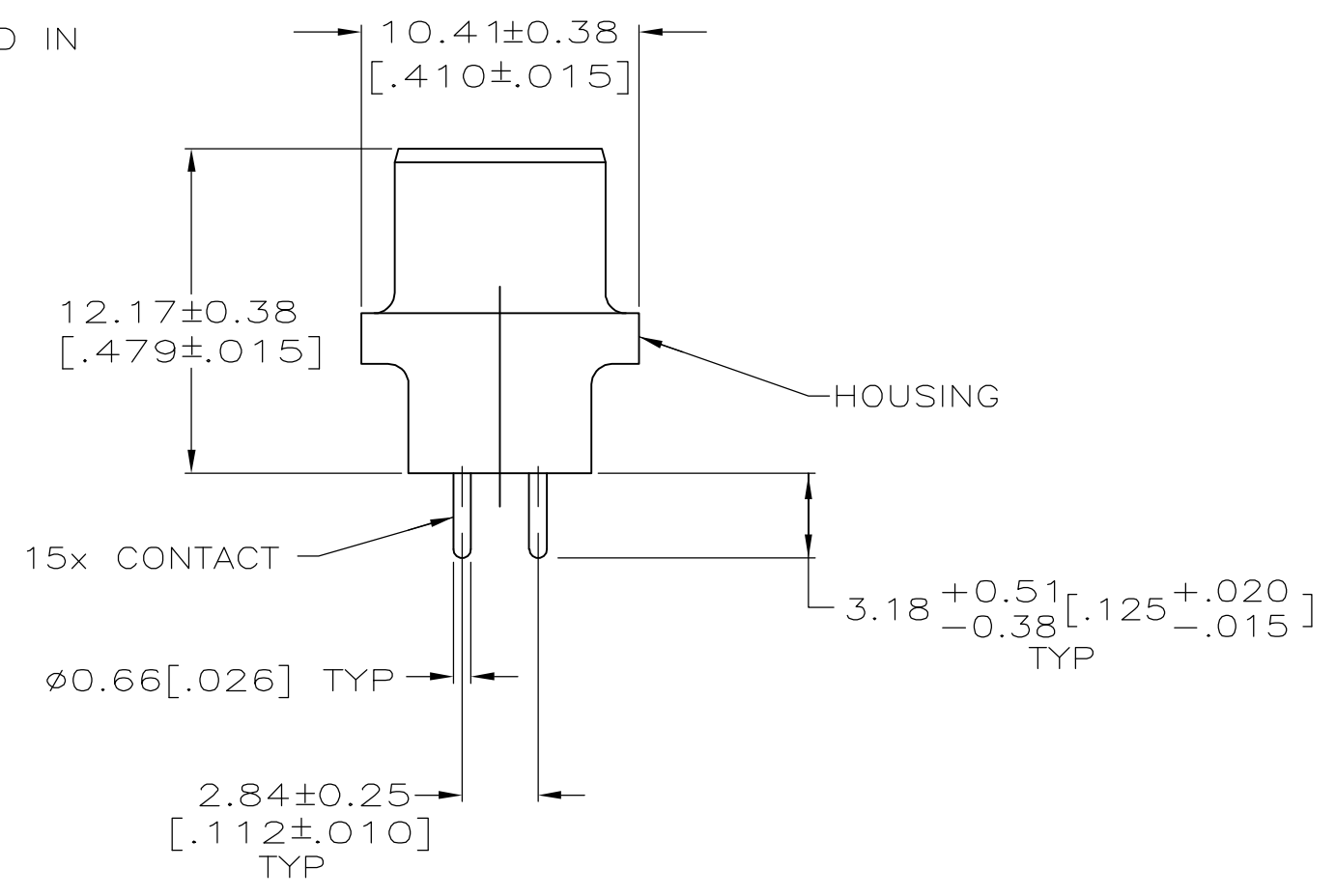
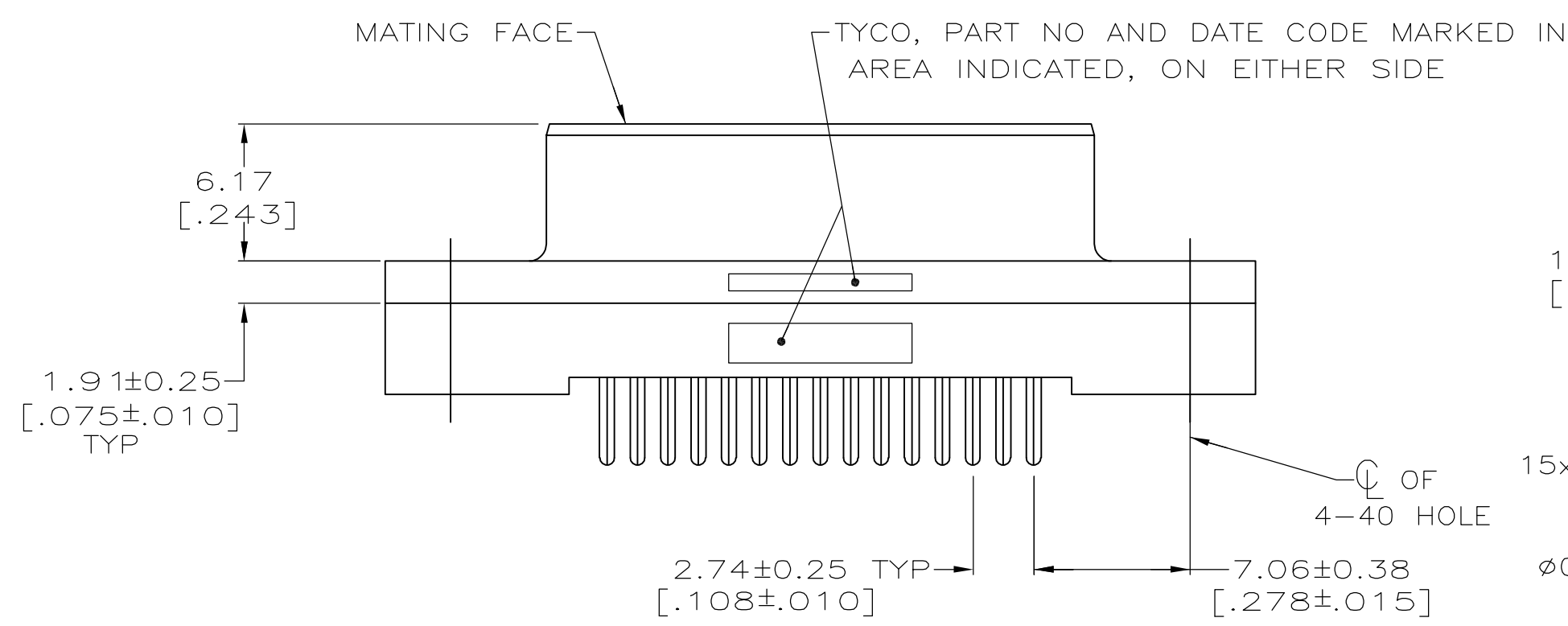


THIS DRAWING IS UNPUBLISHED. RELEASED FOR PUBLICATION
 © COPYRIGHT BY TYCO ELECTRONICS CORPORATION. ALL RIGHTS RESERVED.

LOC	DIST	REVISIONS			
P	LTR	DESCRIPTION	DATE	OWN	APVD
GP	00	0	RELEASED PER EC 0513-0087-05	13SEP05	GP JG



- 1 HOUSING: BLACK POLYESTER, UL 94V-0 RATED; CONTACTS: PHOSPHOR BRONZE; INSERTS: BRASS.
- 2 GOLD FLASH FOR A LENGTH OF 2.54[.100] MIN FROM MATING END, 2.54 μm[.000100] MIN TIN ON OPPOSITE END, ALL OVER 1.27 μm[.000050] MIN NICKEL.
- 3 0.76 μm[.000030] MIN GOLD FOR A LENGTH OF 2.54[.100] MIN FROM MATING END, 2.54 μm[.000100] MIN TIN ON OPPOSITE END, ALL OVER 1.27 μm[.000050] MIN NICKEL.



RECOMMENDED PC BOARD MOUNTING DIMENSIONS

**COPYRIGHT 2005
 TYCO ELECTRONICS CORP
 ALL RIGHTS RESERVED**

3	5745057-4
2	5745057-3
CONTACT FINISH	PART NO

THIS DRAWING IS A CONTROLLED DOCUMENT.		DWN G.PETERS 13SEP05	Tyco Electronics Corporation	
DIMENSIONS: mm [INCHES]		CHK S.BOLASH 13SEP05	Harrisburg, PA 17105-3608	
TOLERANCES UNLESS OTHERWISE SPECIFIED:		APVD M.WALMSLEY 13SEP05	RECEPTACLE ASSEMBLY, SIZE 2, 15 POSN, VERTICAL, AMPLIMITE HD-20	
0 PLC ± -		NAME		
1 PLC ± -		108-40025		
2 PLC ± 0.13 [0.005]		APPLICATION SPEC		
3 PLC ± -		SIZE CAGE CODE DRAWING NO RESTRICTED TO		
4 PLC ± - ± 2'		A2 00779 G-5745057		
MATERIAL		WEIGHT		
SEE TABLE		CUSTOMER DRAWING		
		SCALE 4:1 SHEET 1 of 1 REV 0		