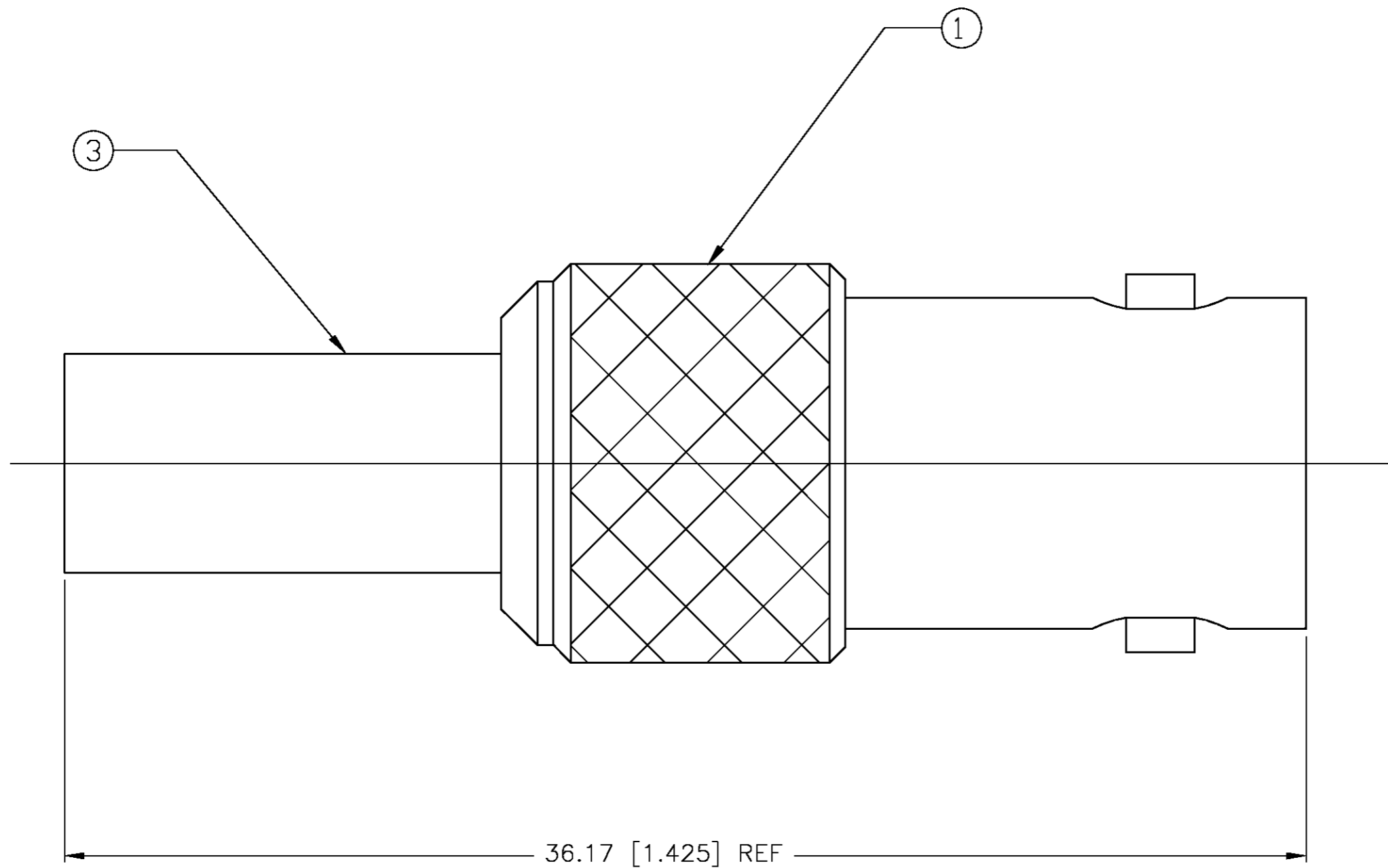
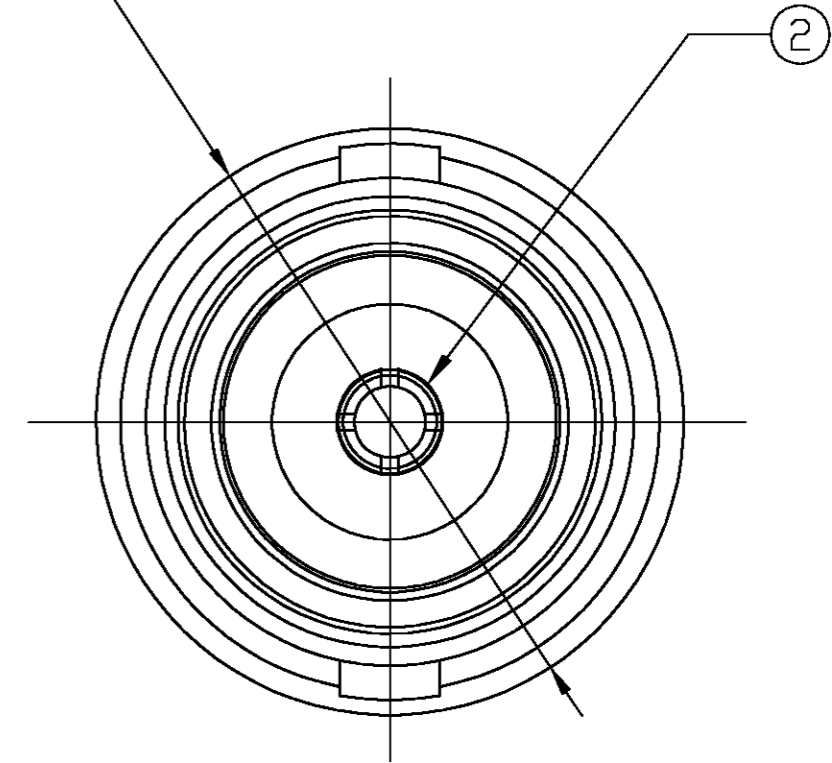


THIS DRAWING IS UNPUBLISHED. RELEASED FOR PUBLICATION  
 © COPYRIGHT BY TYCO ELECTRONICS CORPORATION. ALL RIGHTS RESERVED.

LOC		DIST		REVISIONS			
P	LTR	DESCRIPTION		DATE	DWN	APVD	
0		REVISED PER 0S14-0346-03		10OCT03	GV	JGH	



Ø11.62 [Ø.458] OVER KNURL



NOTES:

1. SEE INSTRUCTION SHEET 408-8358 FOR CABLE PREP AND ASSY INFORMATION.
2. ITEMS 2 AND 3 ARE PACKAGED LOOSELY WITH JACK ASSEMBLY.
3. FOR USE WITH RG 58C/U, RG 141A/U, URM43, AND URM76 CABLES.

1401380-4	1401357-4	1404160-3	1044939-1
③ FERRULE QTY:1	② CONTACT QTY:1	① JACK ASSY QTY:1	PART #

THIS DRAWING IS A CONTROLLED DOCUMENT.		DWN G. VIERA 10OCT03	Tyco Electronics Corporation Middletown, PA 17057	
DIMENSIONS: MM / IN		CHK J. HAVENER 10OCT03	NAME BNC JACK KIT (B35E43M010X)	
TOLERANCES UNLESS OTHERWISE SPECIFIED: 0 PLC ± - 1 PLC ± - 2 PLC ± .13 mm 3 PLC ± .005 in 4 PLC ± - ANGLES ± 2		APVD J. HAVENER 10OCT03	PRODUCT SPEC APPLICATION SPEC	
MATERIAL	FINISH	WEIGHT	SIZE A2	CAGE CODE 00779
-	-	-	DRAWING NO C=1044939	
CUSTOMER DRAWING			SCALE NTS	SHEET 1 OF 1
			REV 0	RESTRICTED TO