

TABLE 1 : UNITIZED CONNECTOR WITH HOLD DOWN MODULE

PART NUMBER	NUMBER OF POWER MODULES	"DIM A"	PLATING OPTION	HOLD DOWN MODULE LOCATION
78234-100*	1X	10.90	TIN	LEFT (REFER TO SHEET 2 FOR DETAILS)
78234-10**	2X	18.30		RIGHT (REFER TO SHEET 3 FOR DETAILS)
78234-200*	1X	10.90		
78234-20**	2X	18.30		

PART NUMBER LEGEND: 78234-*0**

PLATING OPTION	HOLD DOWN MODULE LOCATION	*
TIN	LEFT	1
	RIGHT	2

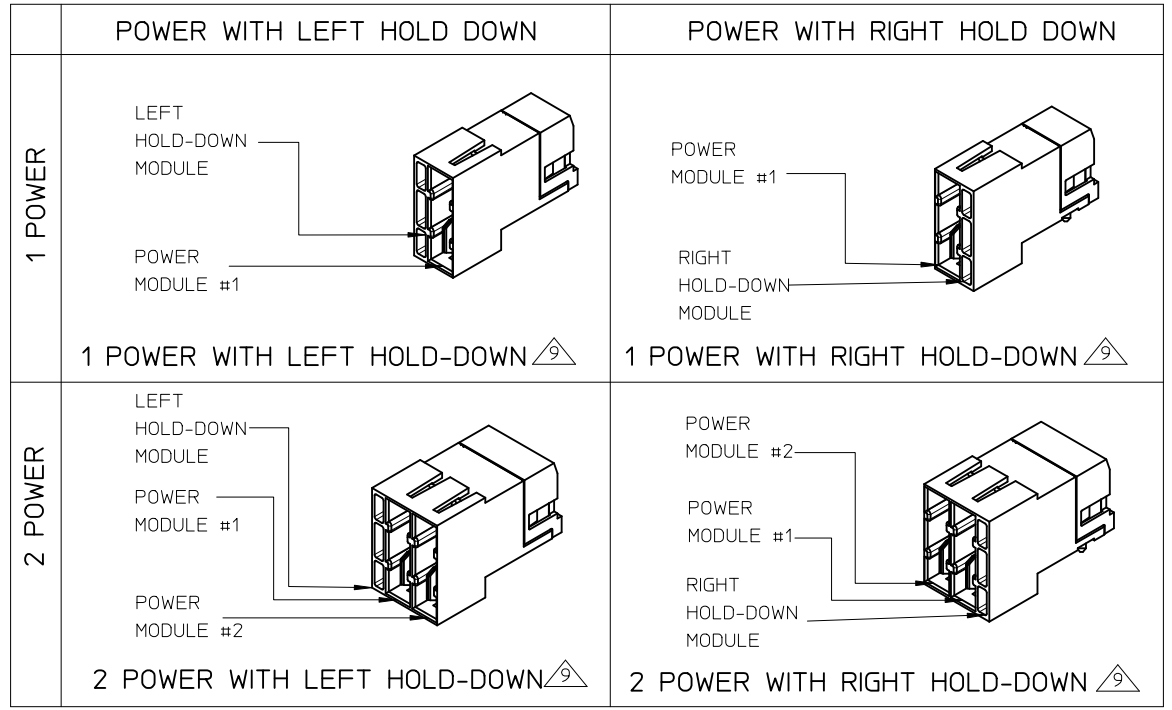
*	POWER MODULE 2	
	BLADE LENGTH	
	P1	P2
0	MODULE NOT PRESENT	
1	8.27	8.27
2	8.27	9.77
3	6.77	9.77

*	POWER MODULE 1	
	BLADE LENGTH	
	P1	P2
1	8.27	8.27
2	8.27	9.77
3	6.77	9.77

- NOTES
- MATERIALS :
HOUSING - HIGH TEMP. THERMOPLASTIC, GLASS FILLED, UL94-V0,COLOR:BLACK.
POWER PIN - COPPER ALLOY
 - FINISHES :
POWER CONTACTS
0.76µm MINIMUM GOLD AT CONTACT AREA AND
2.54µm MINIMUM TIN AT SOLDERTAIL AREA OVER
1.27µm MINIMUM NICKEL UNDERPLATE.
 - PRODUCT SPECIFICATION: PS-78231-006.
 - COMPONENT STAY AWAY ZONE FROM CONNECTOR.
 - PCB NOTE FOR PLATED HOLE.

TYPE OF PLATED HOLE	DRILLED HOLE SIZE	PLATING THICKNESS	PLATED HOLE SIZE "ØDIM H"
TIN/TIN-LEAD	0.838	0.007 MIN TIN/TIN-LEAD/SILVER	0.725±0.075
SILVER	0.863	OVER 0.03 TO 0.08 COPPER PLATING	0.750±0.050

- MATES WITH 78237-****.
- PART NUMBER AND YEAR-DAY CODE CAN BE ON EITHER SIDE OF WALL.
- ADD 7.40mm FOR EACH ADDITIONAL MODULE.
- THE DETAILS FOR LEFT HOLD DOWN OPTION SHOWN ON SHEET2 AND RIGHT HOLD DOWN OPTION SHOWN ON SHEET 3.
- CONNECTORS ARE PACKED IN A TRAY.
- MODULE LOCATION IS FROM NEXT TO HOLD DOWN MODULE WITH STARTING MODULE AS "#1".
- BOTTOM AND TOP CIRCUITS ARE INDICATED AS "CKT A" AND "CKT B".
- ALL PARTS ARE SHIPPED WITH A 2-32 TYPE AB SELF-TAPPING SCREW PART NUMBER 73726-0005.
- PACKAGING PROCEDURE AS PER PK-78234-001.



INITIAL RELEASE
EC NO: S2012-0368
DRWN:SHONG 2011/11/10
CHKD:LING 2011/11/17
APPR:NAGESHKN 2011/12/06

QUALITY SYMBOLS
▽=0
◻=0

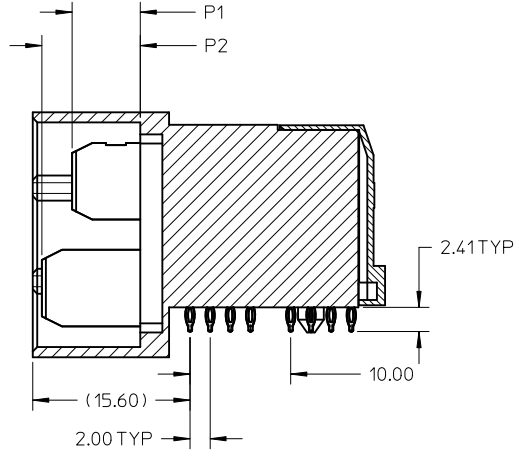
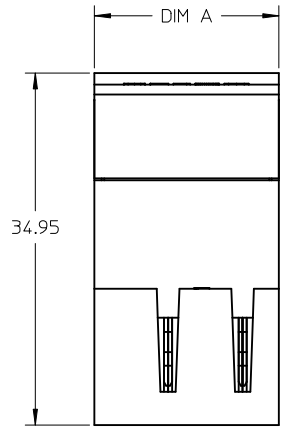
DESCRIPTION

	GENERAL TOLERANCES (UNLESS SPECIFIED)	
	mm	INCH
4 PLACES	± ---	± ---
3 PLACES	± ---	± ---
2 PLACES	± 0.25	± ---
1 PLACE	± ---	± ---
ANGULAR ± 3 °		

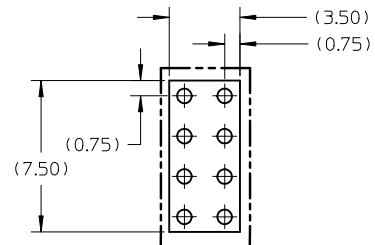
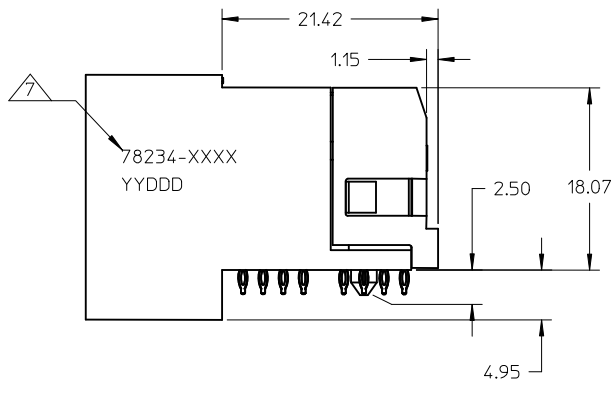
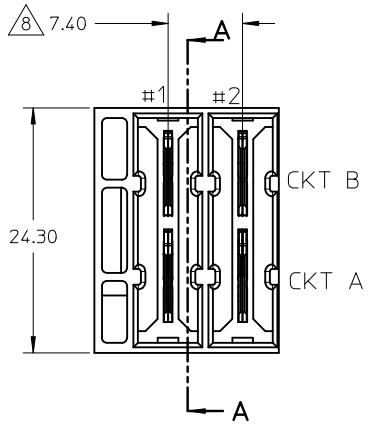
DRAFT WHERE APPLICABLE MUST REMAIN WITHIN DIMENSIONS

DIMENSION STYLE		SCALE	DESIGN UNITS	THIRD ANGLE PROJECTION
MM ONLY		NTS	METRIC	
DRAWN BY	DATE	TITLE		
SHONG	2011/11/10	I-TRAC POWER, 11 ROW HEADER WITH HOLD DOWN PRESS FIT, R/A		
CHECKED BY	DATE	MOLEX INCORPORATED		
LNG	2011/11/17	DOCUMENT NO. SD-78234-003		
APPROVED BY	DATE	SHEET NO. 1 OF 3		
NAGESHKN	2011/12/06	THIS DRAWING CONTAINS INFORMATION THAT IS PROPRIETARY TO MOLEX INCORPORATED AND SHOULD NOT BE USED WITHOUT WRITTEN PERMISSION		
MATERIAL NO.		SIZE A3		

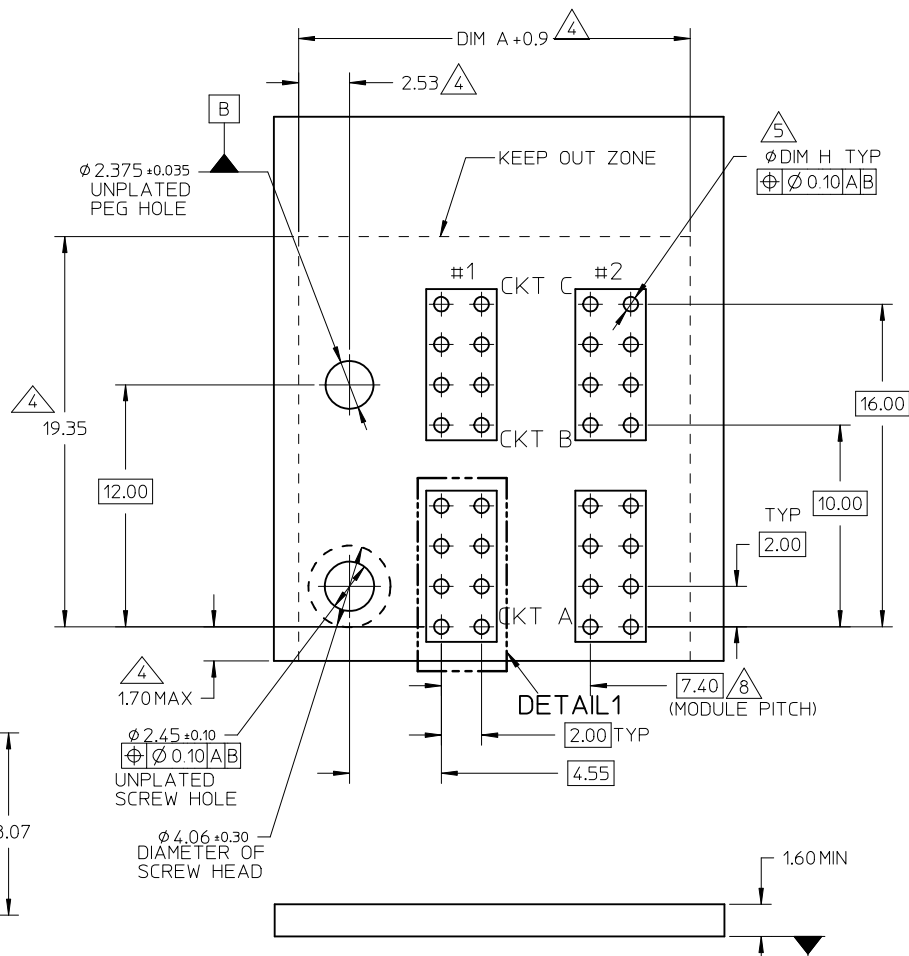
LEFT HOLD DOWN OPTION



SECTION A-A



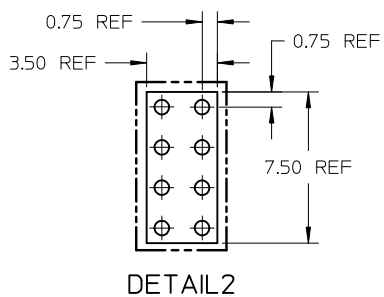
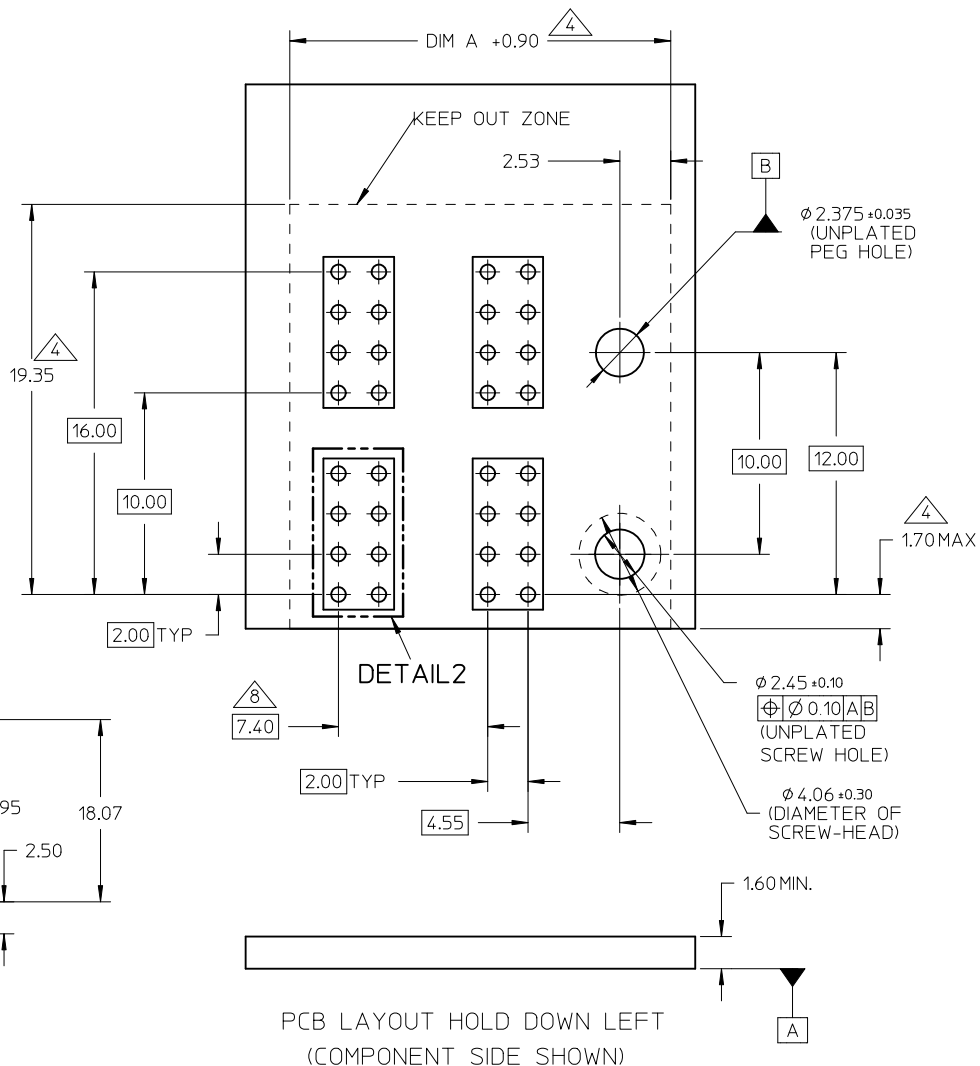
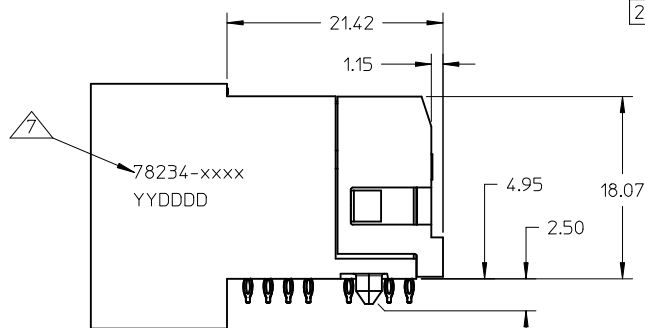
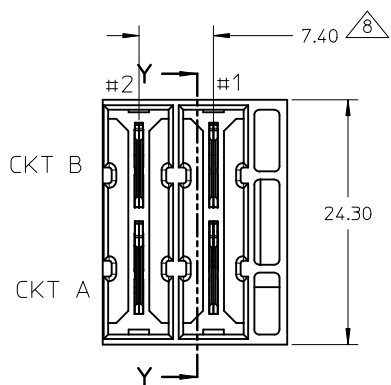
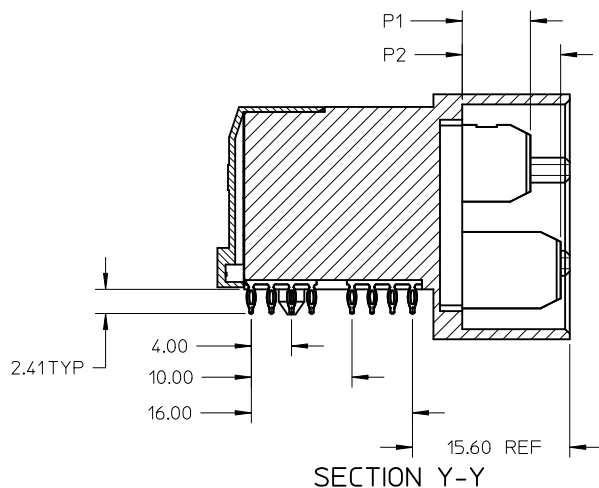
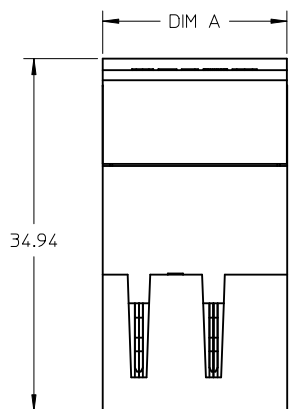
DETAIL1
COPPER PAD REFERENCE



PCB LAYOUT HOLD DOWN LEFT
(COMPONENT SIDE SHOWN)

INITIAL RELEASE EC NO: S2012-0368 DRWN: SHONG 2011/11/10 CHKD: LNG 2011/11/17 APPR: NAGESHK 2011/12/06	QUALITY SYMBOLS ▽=0 ◻=0	GENERAL TOLERANCES (UNLESS SPECIFIED)		DIMENSION STYLE MM ONLY		SCALE NTS	DESIGN UNITS METRIC	THIRD ANGLE PROJECTION			
		4 PLACES ± --- ± ---	3 PLACES ± --- ± ---	2 PLACES ± 0.25 ± ---	1 PLACE ± --- ± ---	DRAWN BY SHONG	DATE 2011/11/10	TITLE I-TRAC POWER, 11 ROW HEADER WITH HOLD DOWN PRESS FIT, R/A			
		ANGULAR ± 3 °				CHECKED BY LNG	DATE 2011/11/17	MOLEX INCORPORATED			
		DRAFT WHERE APPLICABLE MUST REMAIN WITHIN DIMENSIONS				APPROVED BY NAGESHK	DATE 2011/12/06	MATERIAL NO. SEE TABLE	DOCUMENT NO. SD-78234-003	SHEET NO. 2 OF 3	

RIGHT HOLD DOWN OPTION



INITIAL RELEASE EC NO: S2012-0368 DRWN: SHONG 2011/11/10 CHKD: LNG 2011/11/17 APPR: NAGESHKIN 2011/12/06	QUALITY SYMBOLS	GENERAL TOLERANCES (UNLESS SPECIFIED)	DIMENSION STYLE	SCALE	DESIGN UNITS	THIRD ANGLE PROJECTION														
	$\nabla = 0$ $\square = 0$	<table border="1"> <thead> <tr> <th></th> <th>mm</th> <th>INCH</th> </tr> </thead> <tbody> <tr> <td>4 PLACES</td> <td>± ---</td> <td>± ---</td> </tr> <tr> <td>3 PLACES</td> <td>± ---</td> <td>± ---</td> </tr> <tr> <td>2 PLACES</td> <td>± 0.25</td> <td>± ---</td> </tr> <tr> <td>1 PLACE</td> <td>± ---</td> <td>± ---</td> </tr> </tbody> </table>		mm	INCH	4 PLACES	± ---	± ---	3 PLACES	± ---	± ---	2 PLACES	± 0.25	± ---	1 PLACE	± ---	± ---	MM ONLY	NTS	METRIC
	mm	INCH																		
4 PLACES	± ---	± ---																		
3 PLACES	± ---	± ---																		
2 PLACES	± 0.25	± ---																		
1 PLACE	± ---	± ---																		

DRAWN BY SHONG	DATE	2011/11/10
	CHECKED BY LNG	DATE
APPROVED BY NAGESHKIN	DATE	2011/12/06
MATERIAL NO.	SEE TABLE	

TITLE	I-TRAC POWER, 11 ROW HEADER WITH HOLD DOWN PRESS FIT, R/A
DOCUMENT NO.	MOLEX INCORPORATED SD-78234-003
SHEET NO.	3 OF 3

DRAFT WHERE APPLICABLE MUST REMAIN WITHIN DIMENSIONS		THIS DRAWING CONTAINS INFORMATION THAT IS PROPRIETARY TO MOLEX INCORPORATED AND SHOULD NOT BE USED WITHOUT WRITTEN PERMISSION	
--	--	--	--