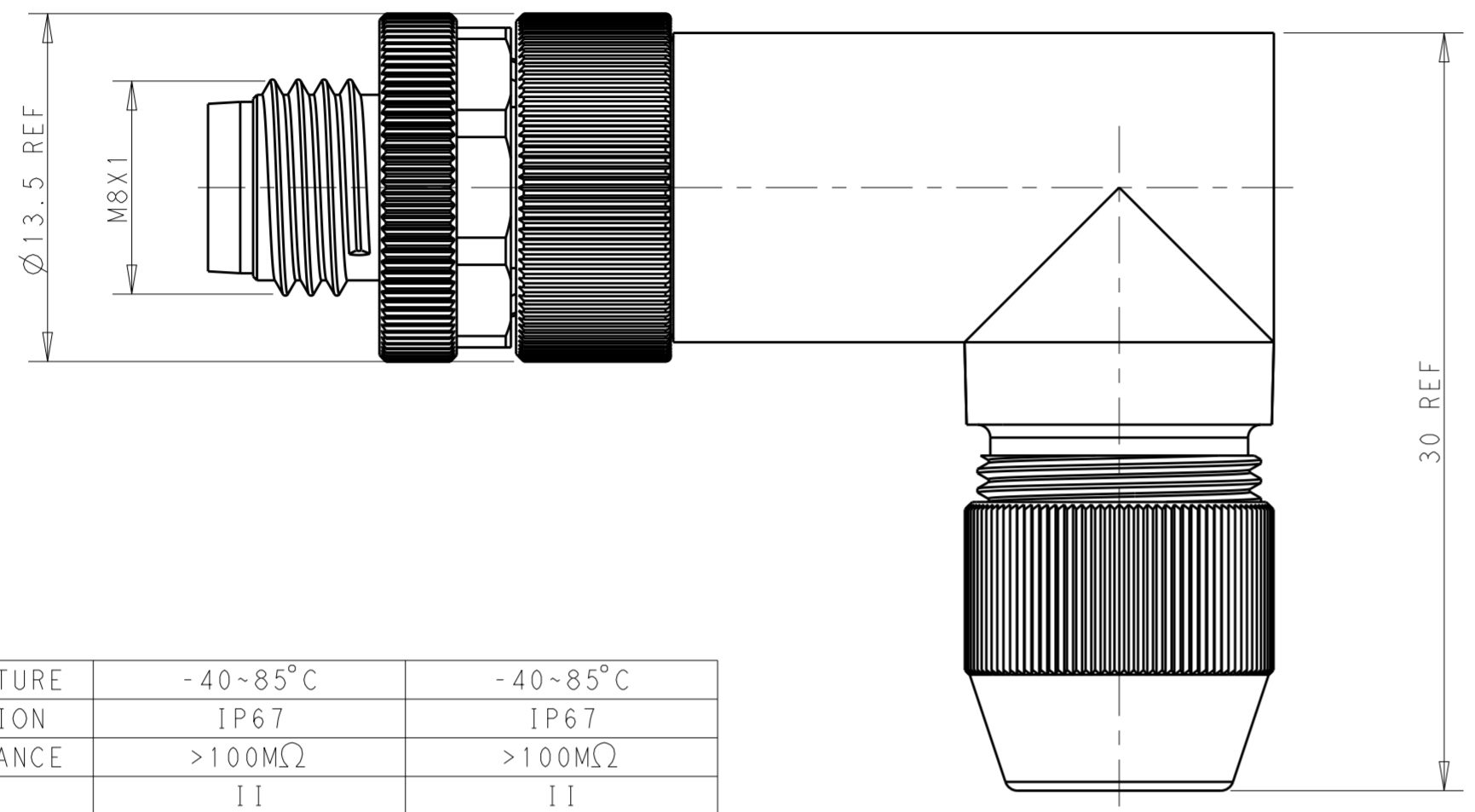
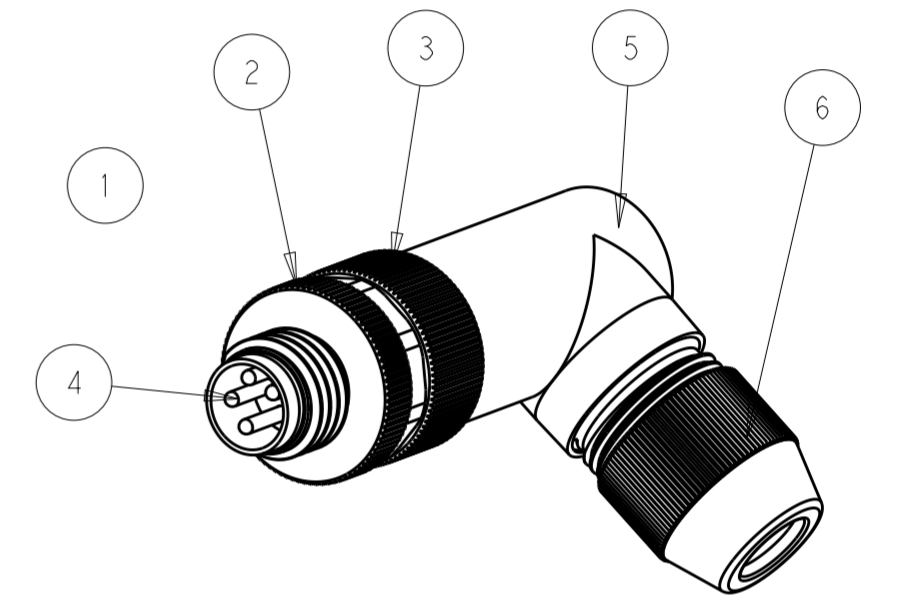
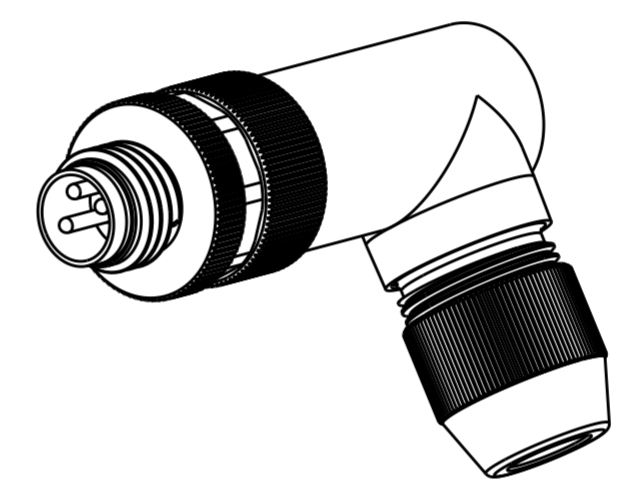
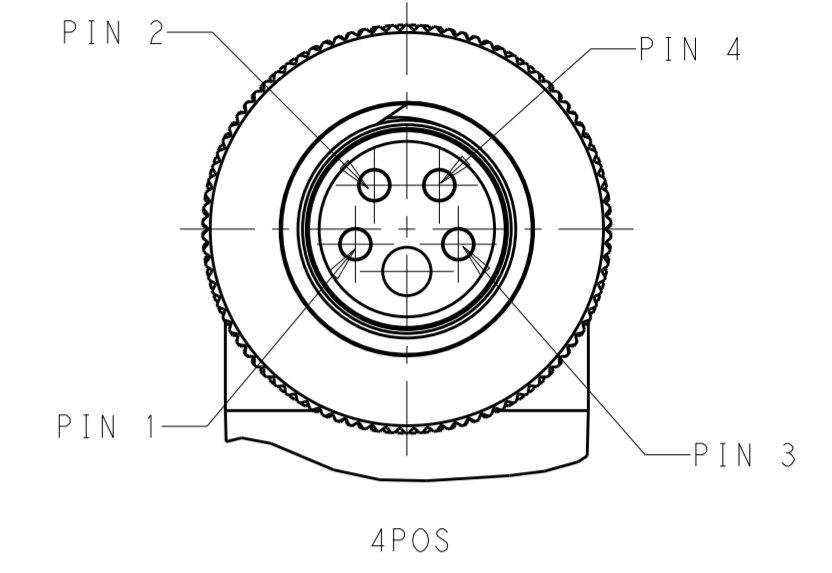
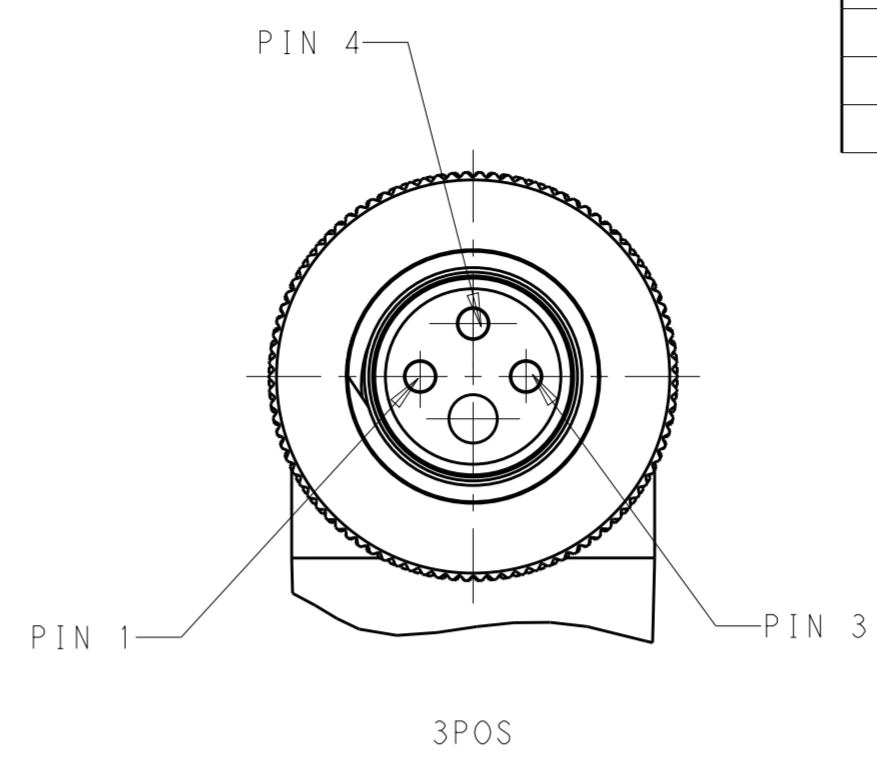


THIS DRAWING IS UNPUBLISHED. RELEASED FOR PUBLICATION 20
 © COPYRIGHT 20 BY - ALL RIGHTS RESERVED.

REVISIONS					
P	LTR	DESCRIPTION	DATE	DWN	APVD
A		INITIAL RELEASED	11APR2016	L.Z	X.X
B		EC-16-011351 NEW REVISION	01JUL2016	L.Z	X.X
B1		REVISED PER ECR-16-012993	19SEP2016	L.Z	X.X
C		ECR-17-011756	04SEP2017	S.C	C.W



OPERATION TEMPERATURE	-40~85°C	-40~85°C
DEGREE OF PROTECTION	IP67	IP67
INSULATION RESISTANCE	>100MΩ	>100MΩ
MATERICAL GROUP	II	II
OVERVOLTAGE CATEGOYR	II	II
POLLUTION DEGREE	3	3
RATED CURRENT	3A	3A
RATED VOLTAGE	30V	60V
TECHNICAL DATA	T401301904X-000	T401301903X-000



- NOTES;
- PARTS MATERIAL DATA:SEE TABLE1
 - CONTACT FINISH:
GOLD OVER NICKEL OR SILVER OVER NICKEL
 - CABLE WIRES:
26AWG/0.14mm² Min & 24AWG/0.25mm² Max
 - ALL DIMENSIONS ARE FOR NOMINAL REFERENCE ONLY UNLESS OTHERWISE STATE
 - PACKAGIN: 1 PIECE IN A BAG
 - PN INFORMATION FOR ASSEMBLY PARTS
T401301XXXX-000

- CONTACT FINISH:
1:GOLD OVER NICKEL
2:SILVER OVER NICKEL
- NUMBERS OF PINS:
03:3 PINS
04:4 PINS
...
- CABLE OUTLET:
8:PLASTIC(CABLE FEED:3.5~4.8mm)
9:METAL(CABLE FEED:3.5~5.0mm)
...

- 注意事项;
- 零件材料参见附表1
 - 表面处理:镀金
 - 适用线材:26AWG/0.14mm² Min & 24AWG/0.25mm² Max
 - 所有尺寸标注为基本参考,除非其它说明
 - 包装:每BAG装1PC
 - 料号数字代码参考上表

TABLE 1

BRASS	PRESS SCREW	6
BRASS	RIGHT ANGLE METAL HOUSING	5
BRASS	M8 SCTREW ASSY PLUG TERMINAL	4
BRASS	M8 SCREW ASSY OUT SCREW	3
BRASS	M8,MALE INSERT NUT	2
PA	M8,MALE HSG,A CODE,4PIN	1
	M8,MALE HSG,A CODE,3PIN	
MATERIAL	DESCRIPTION	ITEM

T4013019042-000	RPC-M8-MR-4CON-PG7-SH	OBSOLETE
T4013019041-000	RPC-M8-MR-4CON-PG7-SHU	
T4013019032-000	RPC-M8-MR-3CON-PG7-SH	OBSOLETE
T4013019031-000	RPC-M8-MR-3CON-PG7-SHU	
TE PN	TYPE	

THIS DRAWING IS A CONTROLLED DOCUMENT.		DWN LEAR ZHANG 11APR2016	TE Connectivity	
DIMENSIONS: mm		CHK KOBY ZHAO 11APR2016		
TOLERANCES UNLESS OTHERWISE SPECIFIED:		APVD XU XIANG 11APR2016	NAME M8 MALE SCREW ASSY RIGHT ANGLE SHIELDING CONNECTOR	
0 PLC ±0.2		PRODUCT SPEC 108-106140	SIZE A2	
1 PLC ±0.2		APPLICATION SPEC 114-137144-1	CAGE CODE -	
2 PLC ±0.2		WEIGHT -	DRAWING NO. C-T40130190XX000	
3 PLC ±		CUSTOMER DRAWING	RESTRICTED TO -	
4 PLC ±			SCALE 2:1 SHEET 1 OF 1 REV C	
ANGLES ±				
FINISH -				