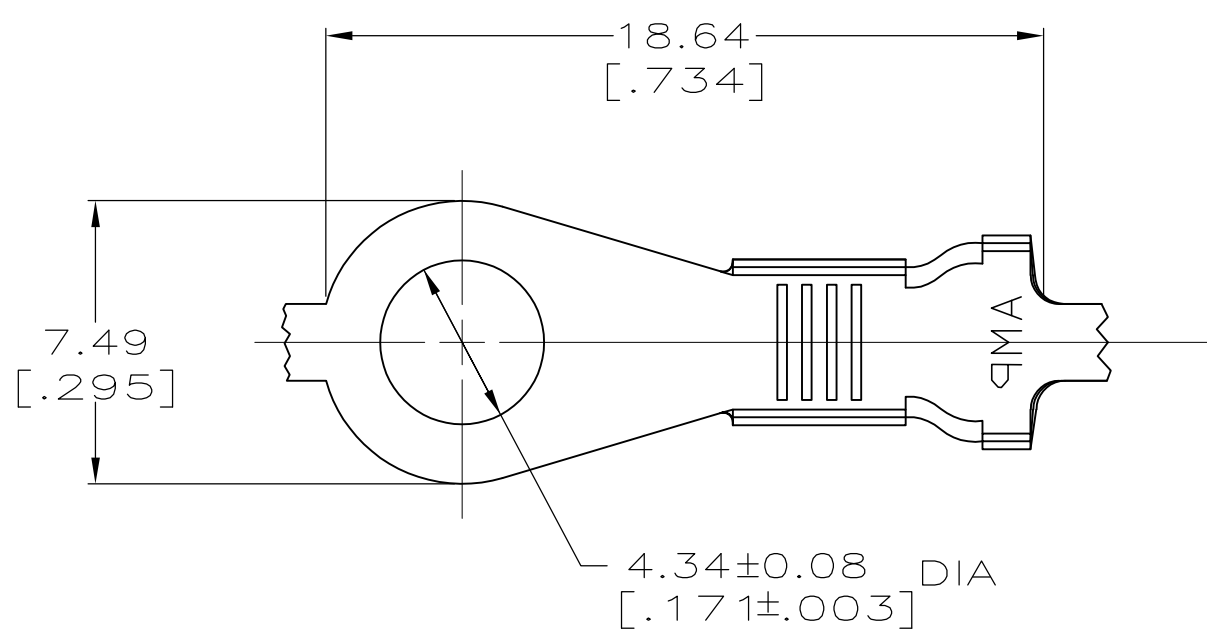
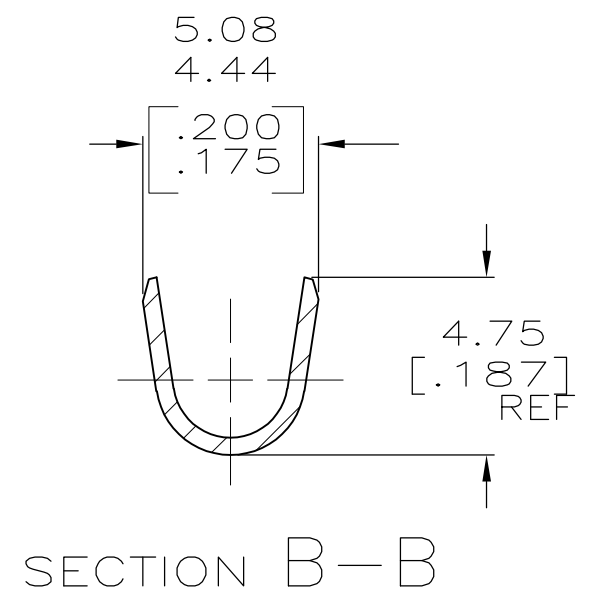
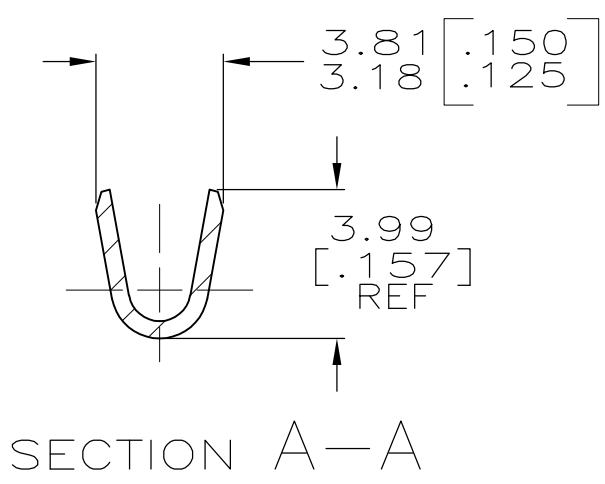
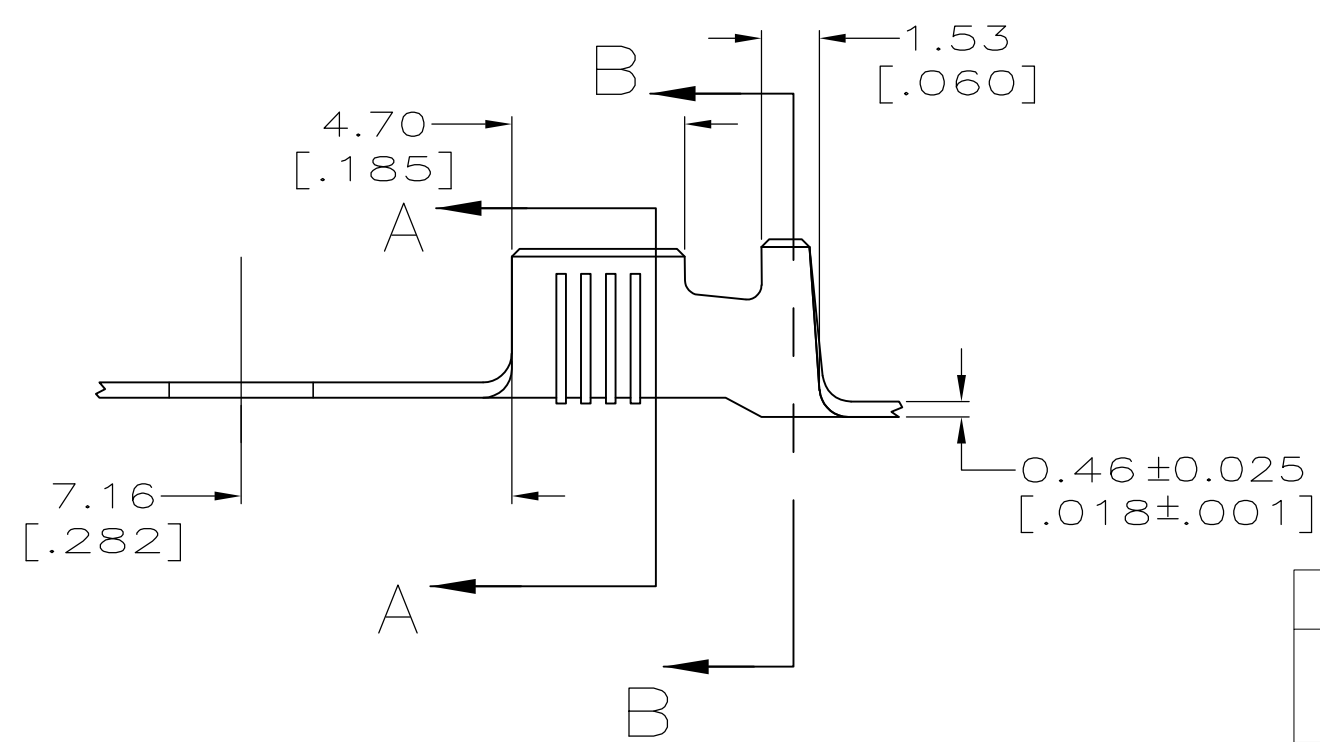


THIS DRAWING IS UNPUBLISHED. RELEASED FOR PUBLICATION
 © COPYRIGHT - By - ALL RIGHTS RESERVED.

LOC	DIST	REVISIONS			
P	LTR	DESCRIPTION	DATE	DWN	APVD
AF	50	H1	REVISED PER ECO-11-004820	11MAR11	RK HMR



- 1 CONTINUOUS STRIP ON REELS.
- 2 WIRE SIZE IS [#18-#14] AWG.
- 3 INSULATION RANGE IS 2.54-3.56 [.100-.140] DIA.
- 4 STUD SIZE IS M4 [#8].



WITH PAPER	-	60771-3
WITHOUT PAPER	TIN	60771-2
	-	60771-1
REELING REMARKS	FINISH	PART NO.

THIS DRAWING IS A CONTROLLED DOCUMENT.		DWN	JR RUTH	21JUL99	STE TE Connectivity												
DIMENSIONS: mm [INCHES]		CHK	MS FEHER	21JUL99													
TOLERANCES UNLESS OTHERWISE SPECIFIED:		APVD	D DECKER	21JUL99													
<table border="0"> <tr><td>0 PLC</td><td>± -</td></tr> <tr><td>1 PLC</td><td>± -</td></tr> <tr><td>2 PLC</td><td>± 0.38 [.015]</td></tr> <tr><td>3 PLC</td><td>± -</td></tr> <tr><td>4 PLC</td><td>± -</td></tr> <tr><td>ANGLES</td><td>± -</td></tr> </table>		0 PLC	± -	1 PLC		± -	2 PLC	± 0.38 [.015]	3 PLC	± -	4 PLC	± -	ANGLES	± -	PRODUCT SPEC		NAME
0 PLC	± -																
1 PLC	± -																
2 PLC	± 0.38 [.015]																
3 PLC	± -																
4 PLC	± -																
ANGLES	± -																
MATERIAL	H04 BRASS	FINISH	SEE TABLE	WEIGHT	-												
CUSTOMER DRAWING		SIZE	A3	CAGE CODE	00779												
		DRAWING NO	G-60771		RESTRICTED TO												
		SCALE	5:1	SHEET	1 OF 1												
		REV	H1														