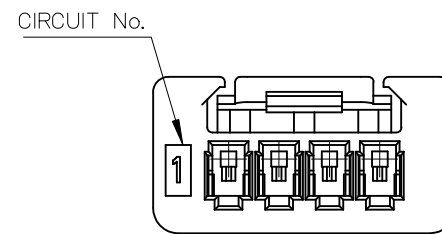
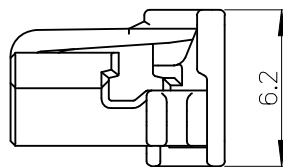
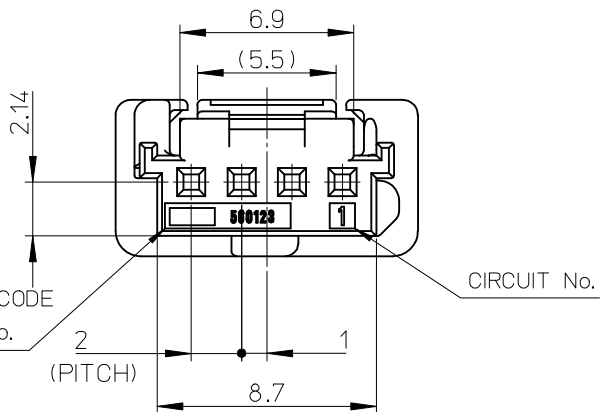
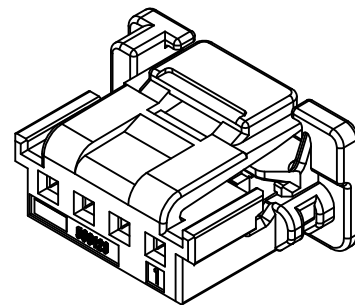
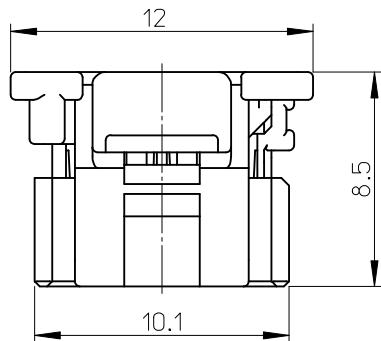


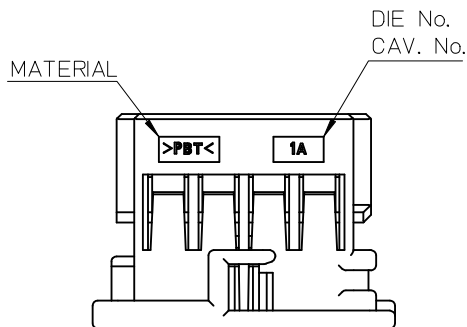
GENERAL TOLERANCE										USED ON
10 MAX	30 MAX	50 MAX	70 MAX	100 MAX	120 MAX	250 MAX	250 OVR	ANGLE	ECCENT	
±0.15	±0.20	±0.30	±0.40	±0.50	±0.75	±0.90	±1.4	±0.5°	0.1	



NOTES:

1. MATERIALS: POLYESTER (PBT), GLASS FILLED, UL94V-0
2. MATES WITH: 502352, 560020 SERIES
3. APPLICABLE TERMINAL : 560124-0101, 560124-0131
4. APPLICABLE ISL : 560125-0400
5. GENERAL TOLERANCES : SEE TABLE
6. EVL AND RoHS COMPLIANT
7. PRODUCT SPECIFICATION: PS-560123-001
8. PACKING SPECIFICATION: PK-560123-001

ORDER NO.	MATERIAL NO.	COLOR
560123-0400	5601230400	WHITE
560123-0401	5601230401	BLACK
560123-0402	5601230402	RED
560123-0404	5601230404	BLUE



<b>ADDED OPTION</b> EC NO: KTR2016-0056 DRWNS:JLEE06 2016/02/23 CHKD:BCY00N 2016/02/23 APPR:JYCH01 2016/02/25	<b>QUALITY SYMBOLS</b>  	<b>GENERAL TOLERANCES (UNLESS SPECIFIED)</b>		<b>DIMENSION STYLE MM ONLY</b>		SCALE METRIC	DESIGN UNITS METRIC	THIRD ANGLE PROJECTION	
			mm	INCH	DRAWN BY Y1BAEK	DATE 2014/07/03	TITLE NEW 2.0 PITCH W/B CONN. REC. 4WAY HSG DURACLIK™ ISL SERIES		
		4 PLACES	± ---	± ---	CHECKED BY BCY00N	DATE 2014/07/03	MOLEX INCORPORATED		
		3 PLACES	± ---	± ---	APPROVED BY SRTAK	DATE 2014/08/26	DOCUMENT NO. SD-560123-002	SHEET NO. 1 OF 1	
2 PLACES	± ---	± ---	ANGULAR ± ---°		SEE TABLE		THIS DRAWING CONTAINS INFORMATION THAT IS PROPRIETARY TO MOLEX INCORPORATED AND SHOULD NOT BE USED WITHOUT WRITTEN PERMISSION		
1 PLACE	± ---	± ---	DRAFT WHERE APPLICABLE MUST REMAIN WITHIN DIMENSIONS		SIZE A3				