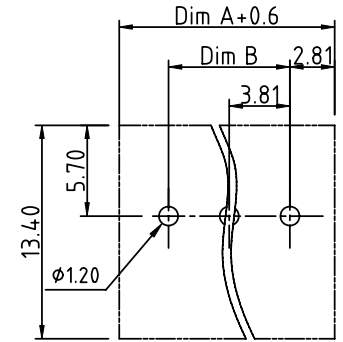
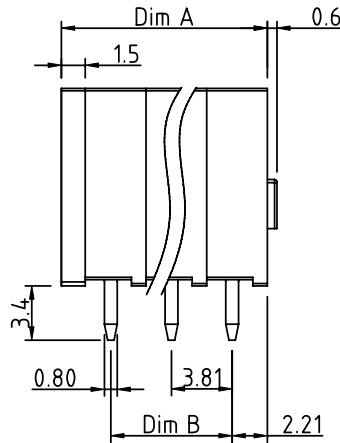
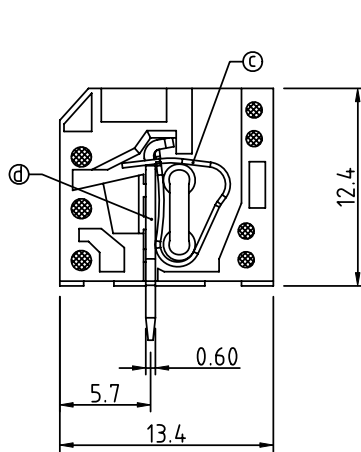
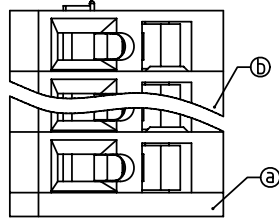


PRODUCT NUMBER	PITCH
HMxx30x000J0G	3.81mm



RECOMMENDED P.C.B LAYOUT  
TOP VIEW

Material:

- Item① Insulator(Cover): Thermoplastic (UL94V-0)
- Item② Insulator(housing): Thermoplastic (UL94V-0)
- Item③ Spring clamp: Stainless steel
- Item④ Terminal Body(Solder pin): Brass tin plated

Electrical:

- Voltage rating: 300V
- Current rating: 8A
- Wire range:
- Solid wire(AWG): 14-28
- Stranded wire(AWG): 14-28
- Wire strip length: 5-6mm
- Withstanding Voltage: 1.6KV
- Operating temperature: -40°C to +115°C
- Soldering temperature: 260°C±5°C/5 Sec

N=Number of poles  
Dim A=Nx3.81+1.5  
Dim B=(N-1)x3.81

Poles	Dim A	Dim B
1p	±0.10	
2-6p	±0.15	±0.15
7-12p	±0.20	±0.20
13-18p	±0.30	±0.25
19-24p	±0.40	±0.30

PART NO.: HM xx 30 x 000J0 G

No. of poles	Color	RoHS compliant
0	Black (RAL9005)	(lead<4%)
End Stackable	2 Red (RAL3001/D)	In copper Alloy
01	1 poles 3 Orange(RAL2011/P)	
02	2 poles 4 Yellow(RAL1018/A)	
...	5 Green(RAL6018/T)	
24	24 poles 6 Blue (RAL5015/A)	
	8 Grey(RAL7004/P)	
	9 White(RAL1102)	
	C Multiple colors	

mat'l. code		surface ASME Y14.5	tolerance ASME Y14.5	projection	product family TERMINAL BLOCK
ltr	ecn no	dr	date		title TERMINAL BLOCK
				tolerances unless otherwise specified	SPRING CLAMP, 90D WIRE INLET, DIP SOLDER
				angles $X \pm 1^\circ$	scale
				dr	EVIN ZHONG 052914
				enr	EVIN ZHONG 052914
				chr	HANKE FENG 052914
				appd	SHI JUN 052914
sheet index		revision	A		dwg no HMxx30x000J0G
		sheet	1		sheet 1 of 1
					type CUSTOMER Drawing