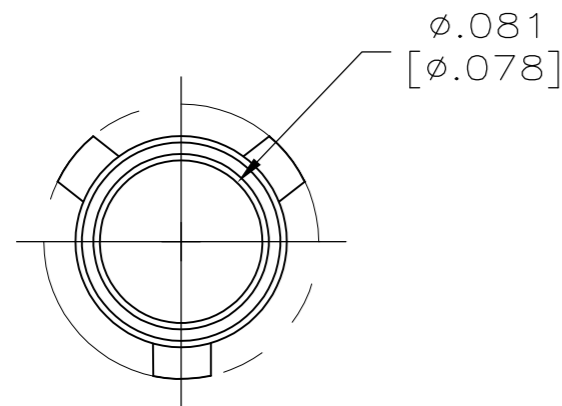
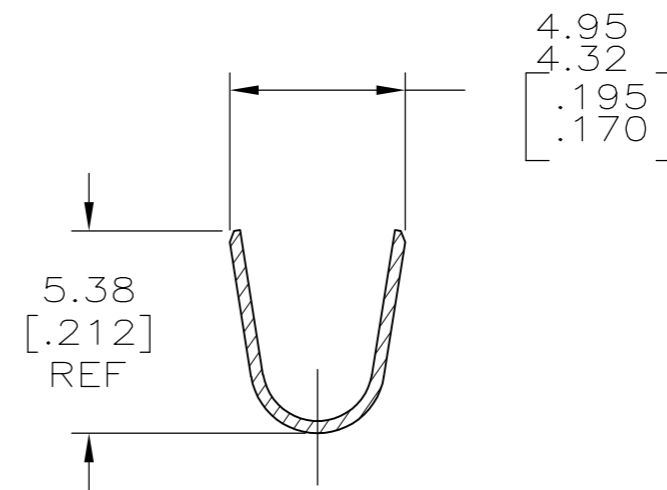
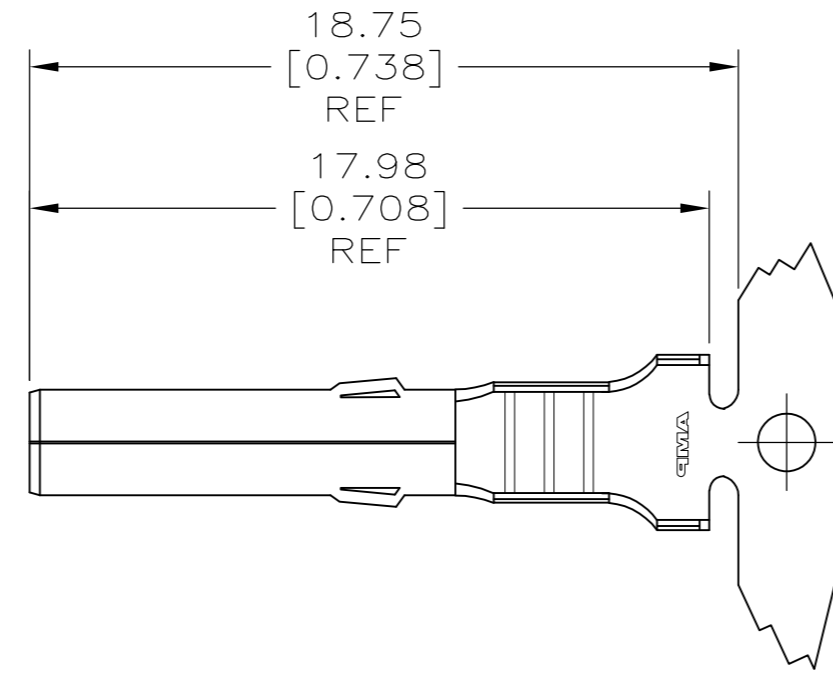


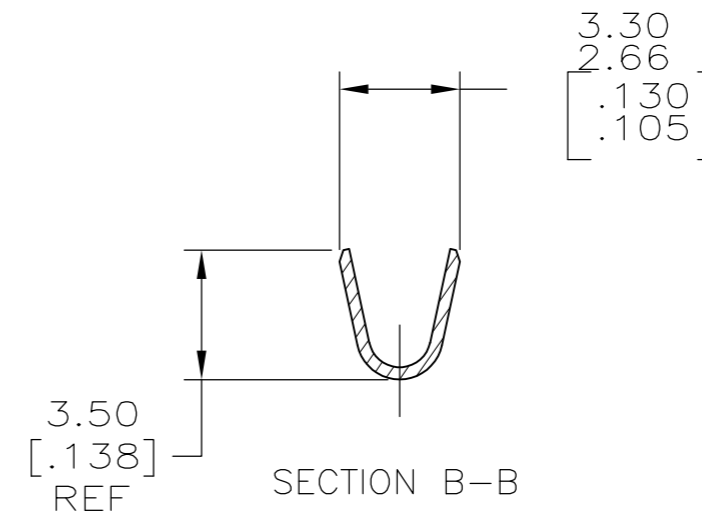
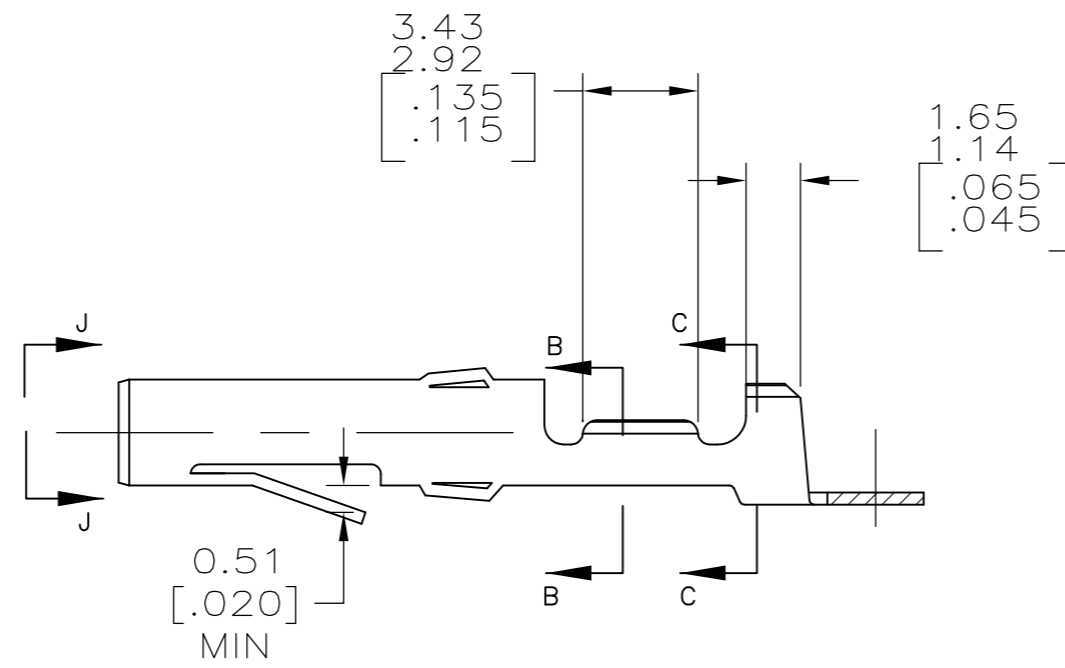
THIS DRAWING IS UNPUBLISHED. RELEASED FOR PUBLICATION
 © COPYRIGHT - By - ALL RIGHTS RESERVED.

LOC		DIST		REVISIONS			
P	LTR	DESCRIPTION		DATE	DWN	APVD	
CM	00	H		REVISED PER ECR-12-001565	31JAN12	KH	TM

- 1 WIRE RANGE: 2 WIRES OF 0.8 – 0.9 mm² [18 AWG] OR 1 WIRE OF 0.8 – 0.9 mm² [18 AWG] AND 1 WIRE OF 1.25 – 1.4 mm² [16 AWG].
- 2 INSULATION RANGE: 2 WIRES OF 2.92 [.115] MAX DIA EACH, STACKED.
- 3 DIMENSIONS IN BRACKETS ARE IN INCHES.



VIEW J-J
SCALE 20:1



PRE-TIN	PH.BRONZE	350557-4
PRE-TIN	BRASS	350557-1
FINISH	MATERIAL	PART NO

THIS DRAWING IS A CONTROLLED DOCUMENT.		DWN	RAGHAVENDRA	23OCT2008		MATE-N-LOK SOCKET		
DIMENSIONS:		CHK	CASH CHRIS	23OCT2008		NAME		
mm [INCHES]		APVD	CASH CHRIS	23OCT2008		PRODUCT SPEC		
TOLERANCES UNLESS OTHERWISE SPECIFIED:		APPLICATION SPEC		SIZE		CAGE CODE	DRAWING NO	RESTRICTED TO
0 PLC ± -		WEIGHT		A2		00779	C=350557	-
1 PLC ± -		CUSTOMER DRAWING		SCALE		5:1		SHEET
2 PLC ± -		FINISH		SEE TABLE		1 OF 1		REV
3 PLC ± 0.01		MATERIAL		SEE TABLE		H		
4 PLC ± -		MATERIAL		SEE TABLE		H		
ANGLES ± 1'0"		MATERIAL		SEE TABLE		H		