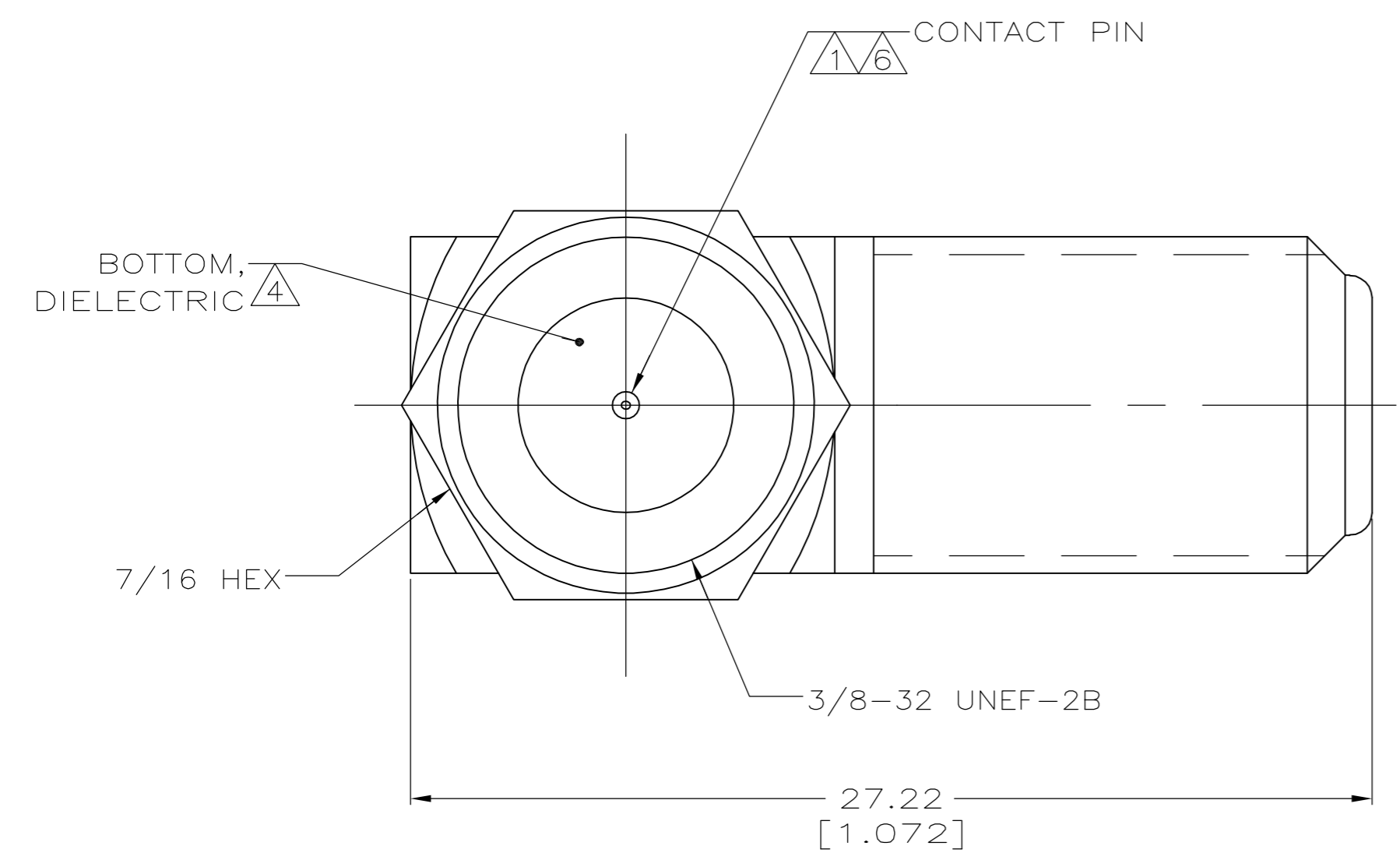
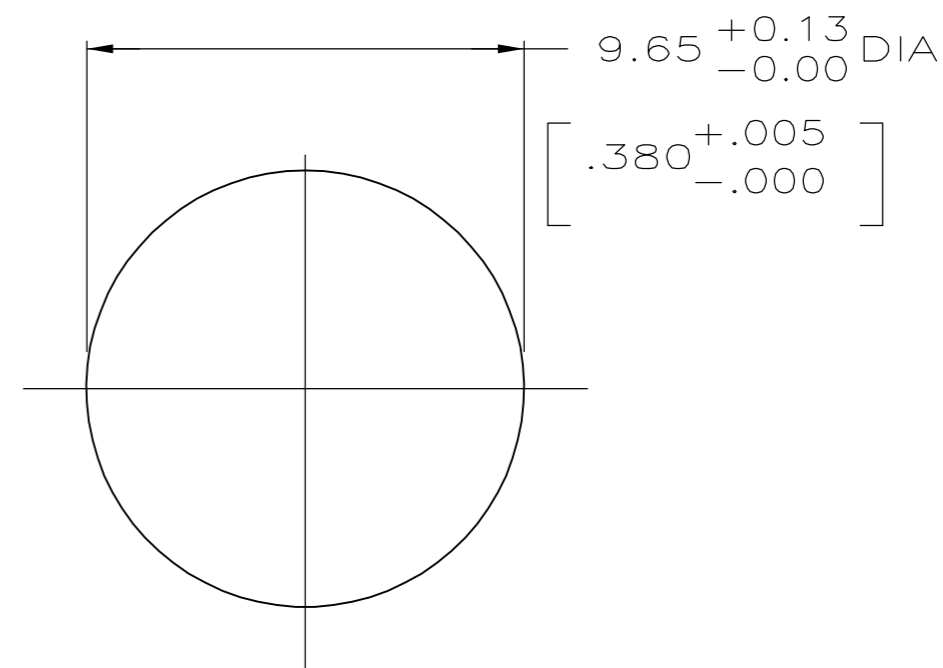
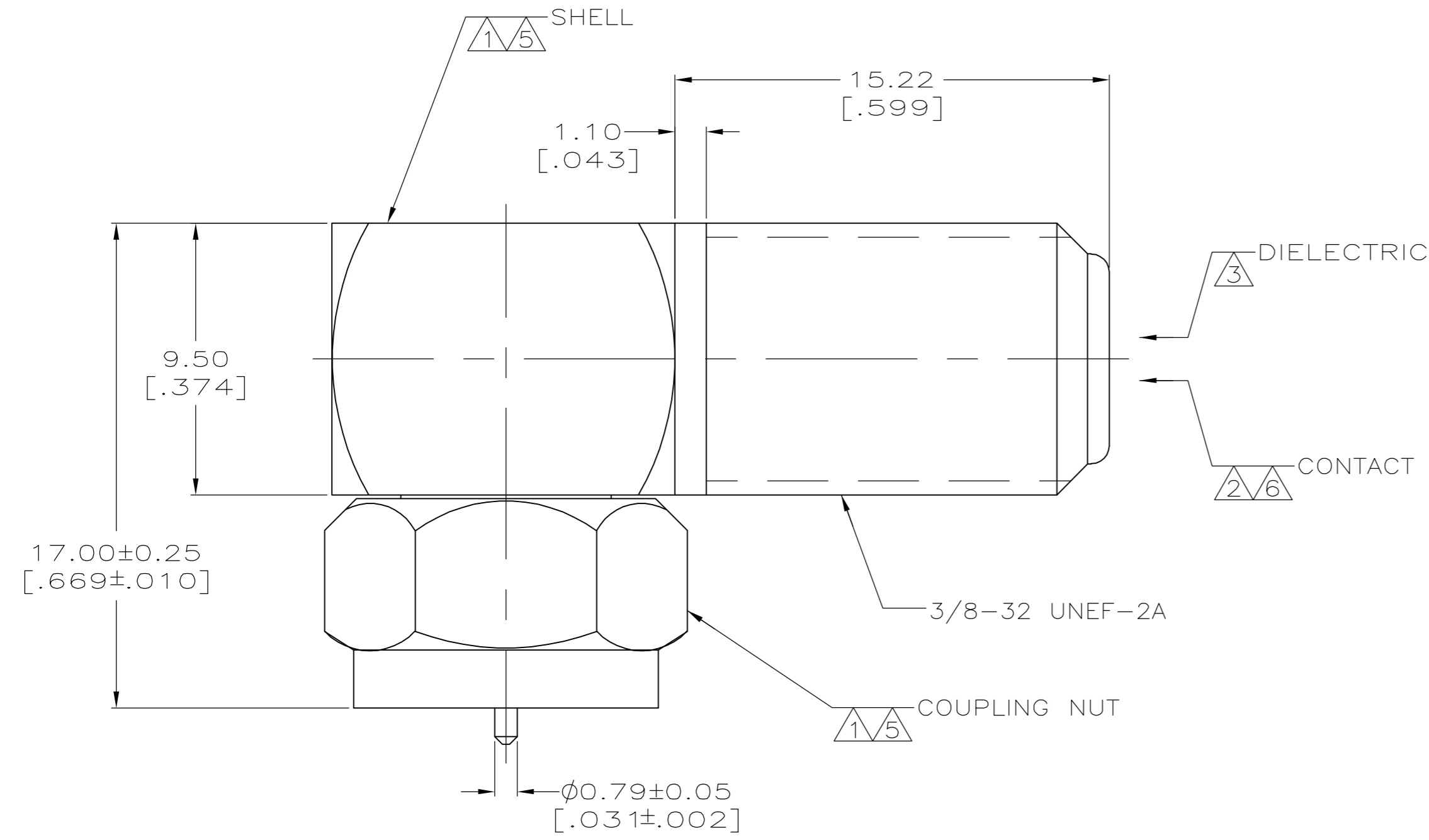


THIS DRAWING IS UNPUBLISHED. RELEASED FOR PUBLICATION
 © COPYRIGHT BY TYCO ELECTRONICS CORPORATION. ALL RIGHTS RESERVED.

LOC	DIST	REVISIONS			
P	LTR	DESCRIPTION	DATE	DWN	APVD
AJ	00	REV PER ECO 06-016786	1/23/2007	DW	KW



- 1 BRASS.
- 2 PHOSPHOR BRONZE.
- 3 POLYPROPYLENE, GENERAL PURPOSE
- 4 PTFE.
- 5 NICKEL PLATE 2.54 μm [.000100] MINIMUM THICK.
- 6 TIN PLATE 2.54 μm [.000100] MINIMUM THICK.
- 7. CONNECTOR WILL ACCEPT CENTER CONDUCTOR DIAMETER RANGE OF 0.51 [.020]–1.19 [.047]

887089-1
PART NO

THIS DRAWING IS A CONTROLLED DOCUMENT.		DWN	J. LIPPERT	9-9-97	 Tyco Electronics Corporation Harrisburg, PA 17105-3608																		
DIMENSIONS: mm [INCHES]		CHK	K. WEIDNER	9-9-97																			
TOLERANCES UNLESS OTHERWISE SPECIFIED:		APVD	K. WEIDNER	9-9-97																			
<table border="1"> <tr><td>0 PLC</td><td>±</td><td>-</td></tr> <tr><td>1 PLC</td><td>±</td><td>-</td></tr> <tr><td>2 PLC</td><td>±</td><td>0.20 [.008]</td></tr> <tr><td>3 PLC</td><td>±</td><td>-</td></tr> <tr><td>4 PLC</td><td>±</td><td>-</td></tr> <tr><td>ANGLES</td><td>±</td><td>-</td></tr> </table>		0 PLC	±	-		1 PLC	±	-	2 PLC	±	0.20 [.008]	3 PLC	±	-	4 PLC	±	-	ANGLES	±	-	NAME	K. WEIDNER	
0 PLC	±	-																					
1 PLC	±	-																					
2 PLC	±	0.20 [.008]																					
3 PLC	±	-																					
4 PLC	±	-																					
ANGLES	±	-																					
MATERIAL SEE NOTES 1-4		FINISH	SEE NOTES 5 & 6		PRODUCT SPEC	108-1755																	
		WEIGHT	-		APPLICATION SPEC	-																	
		CUSTOMER DRAWING	SCALE	6:1	SIZE	A2																	
					CAGE CODE	00779																	
					DRAWING NO	C=887089																	
					RESTRICTED TO	-																	
					SHEET	1 of 1																	
					REV	C																	

887089