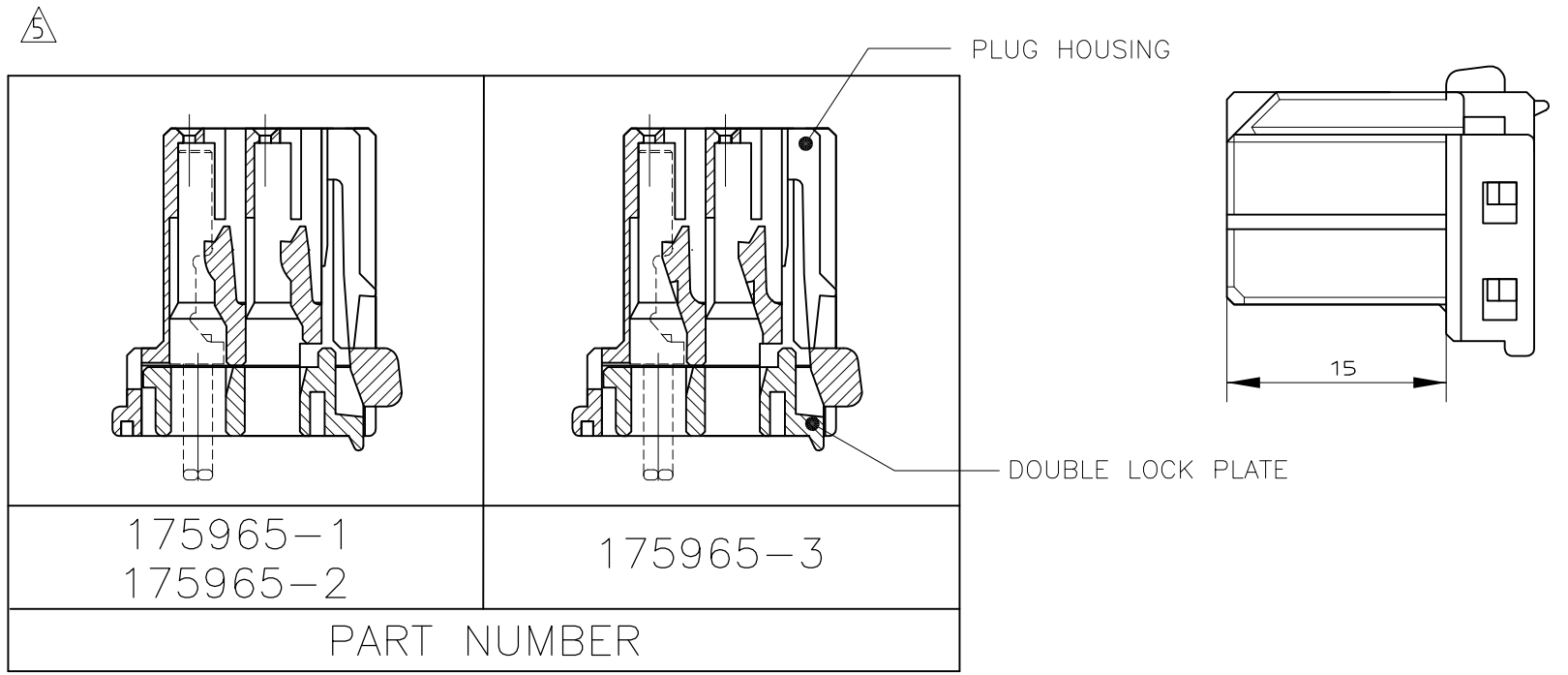
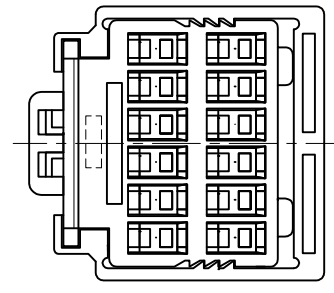
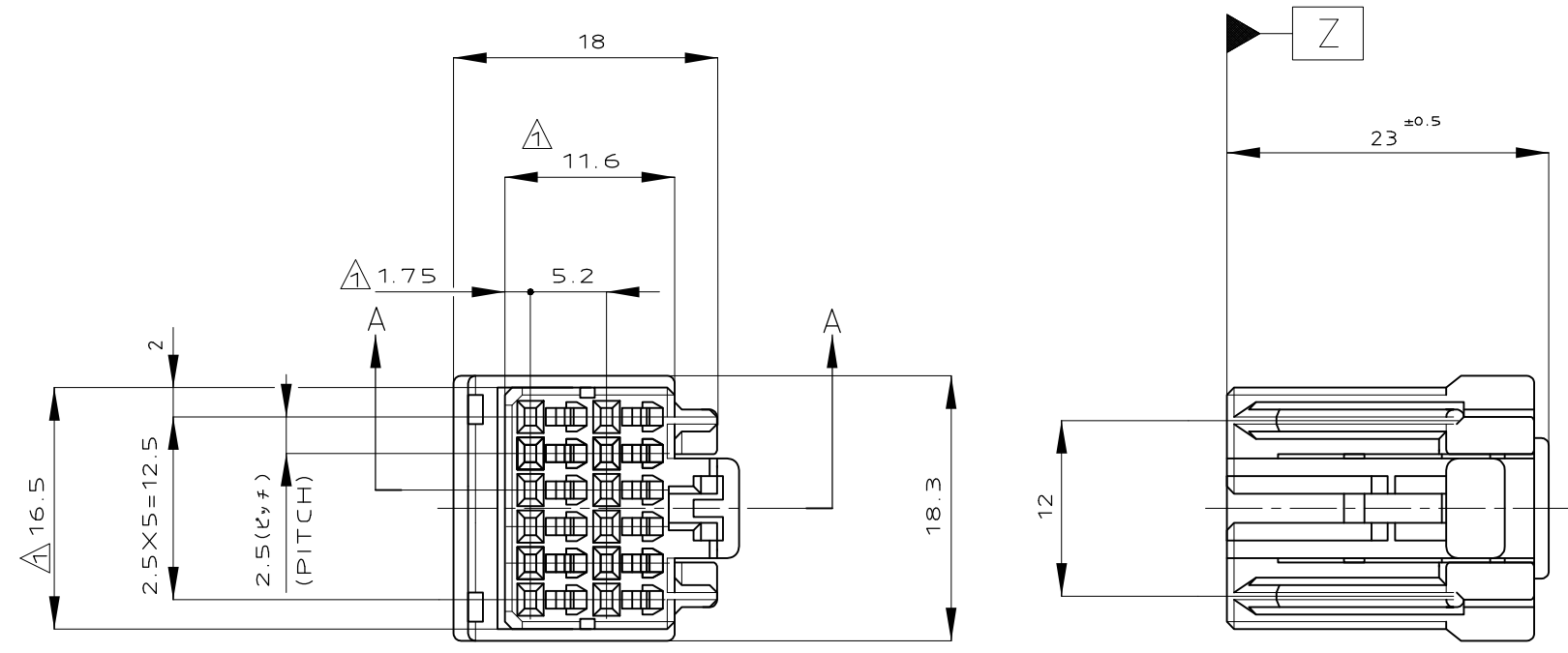


THIS DRAWING IS UNPUBLISHED. RELEASED FOR PUBLICATION
 © COPYRIGHT - By - ALL RIGHTS RESERVED.

| LOC | DIST | REVISIONS | | | | | |
|-----|------|-----------|---------|---------------|---------|-----|------|
| J | - | P | LTR | DESCRIPTION | DATE | DWN | APVD |
| | | B3 | REVISED | ECR-15-009159 | 18JUN15 | AY | RK |



| | |
|-------------|----------|
| 175965-1 | 175965-3 |
| 175965-2 | |
| PART NUMBER | |

- △ MUST BE KEPT BETWEEN Z AND 2mm
- 2 THE MATING CAP HSG. PART NUMBER;175974,175976
- 3 APPLIED CONTACT PART NUMBER;173681
- 4 APPLICABLE PRODUCT SPEC NO.;108-5281
- △ THIS PLUG HOUSING HAVE TWO KINDS OF LANCE TYPE.
- △ Z 面より2mmの範囲で測定。
- 2 かん合相手ハウジング型番 ; 175974, 175976
- 3 内装するリセプタクルコンタクト型番 ; 173681
- 4 適用製品規格番号 ; 108-5281
- △ 本プラグハウジングは2タイプのランス形状がある

| | |
|-------|-------------|
| BLACK | 175965-3 |
| BLACK | 175965-2 |
| WHITE | 175965-1 |
| COLOR | PART NUMBER |

TOLERANCE UNLESS OTHERWISE SPECIFIED: 一般公差

| | |
|--------------|---------|
| 0 < x ≤ 10 | : ±0.2 |
| 10 < x ≤ 30 | : ±0.25 |
| 30 < x ≤ 100 | : ±0.3 |
| ANGLE ; 角度 | : ±3° |

THIS DRAWING IS A CONTROLLED DOCUMENT.

| | | |
|------------------|--------------|---------|
| DWN | K. SUZUKI | 24OCT89 |
| CHK | Y. MATSUSAKA | 19DEC89 |
| APVD | M. NOGUCHI | 26DEC89 |
| PRODUCT SPEC | 108-5281 | |
| APPLICATION SPEC | 取付適用規格 | |
| WEIGHT | 3.2 g | |

NAME 名称: 040 SERIES MULTI-LOCK I/O CONNECTOR MK-II 12POSITION PLUG HOUSING ASSEMBLY

| | | | |
|------|-----------|------------|---------------|
| SIZE | CAGE CODE | DRAWING NO | RESTRICTED TO |
| A3 | 00779 | C-175965 | - |

CUSTOMER DRAWING SCALE 尺度 2:1 SHEET 1 OF 1 REV B3