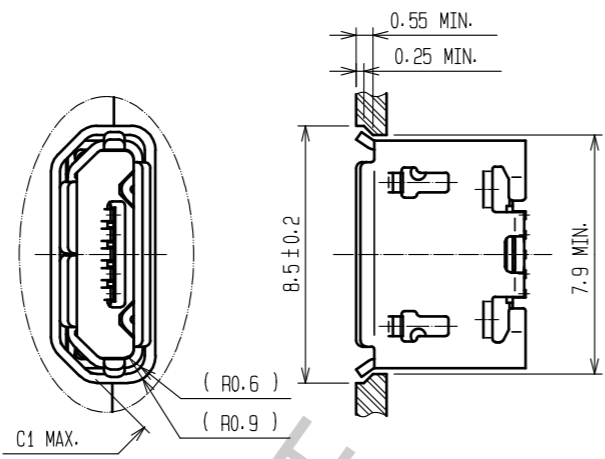
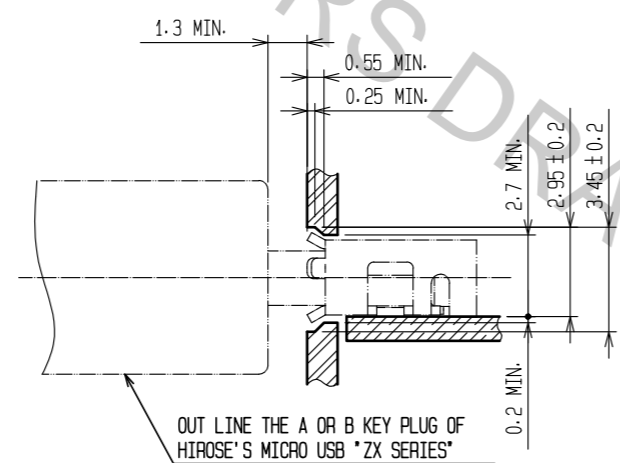


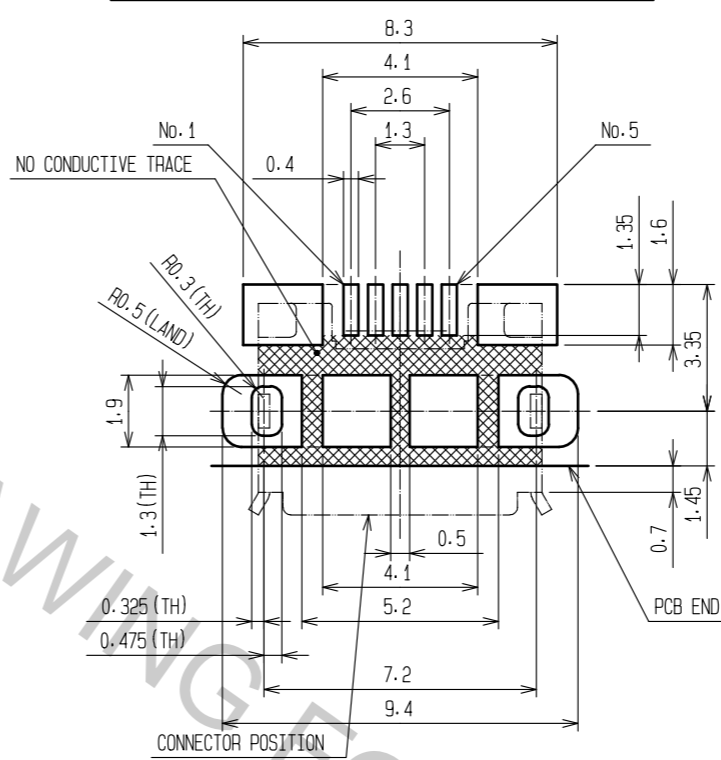
RECOMMENDED PANEL CUTOUT(4:1)



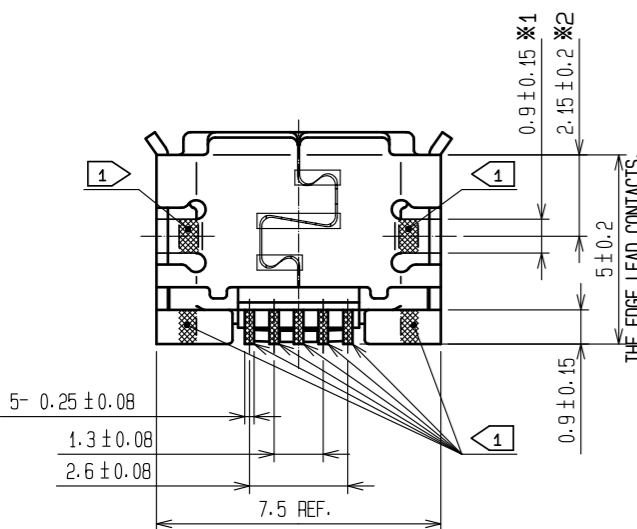
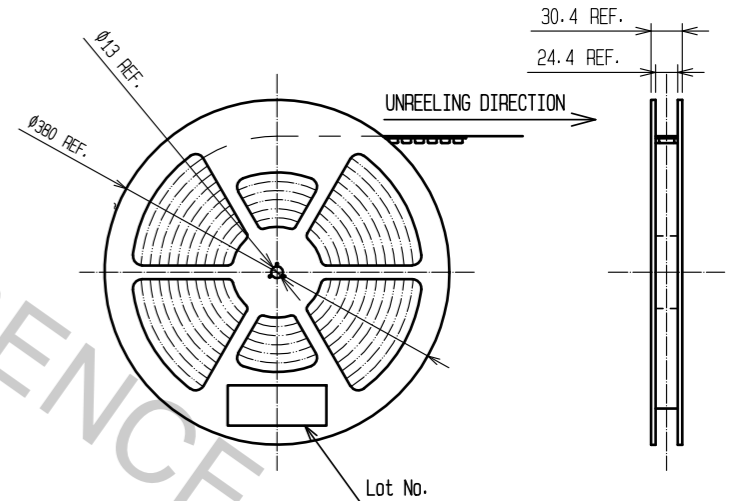
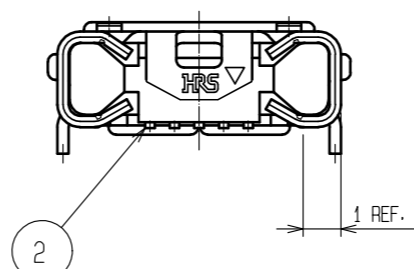
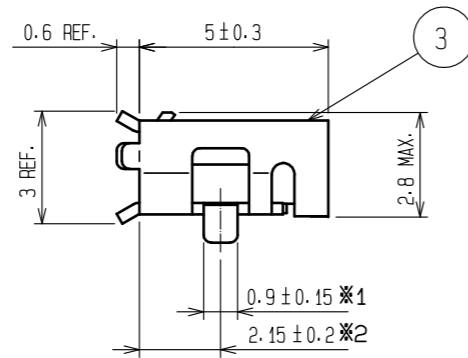
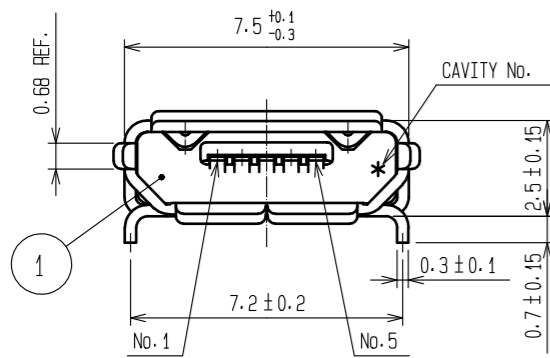
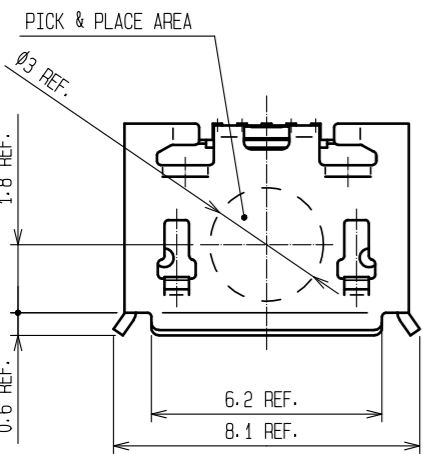
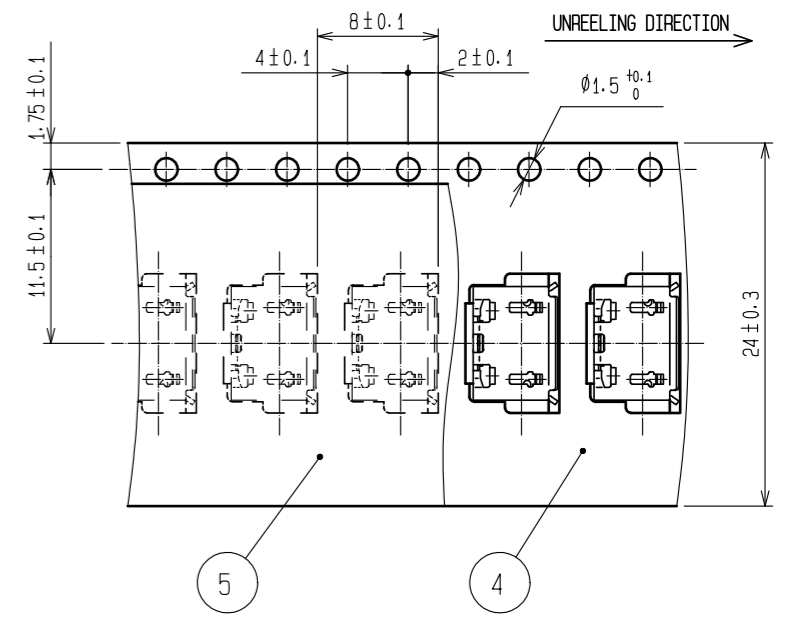
MATED WITH CORRESPONDING PLUG(4:1)



RECOMMENDED PC BOARD PATTERN



DRAWING FOR PACKING(FREE)



- NOTES.
- 1. PARTS CO-PLANARITY IS WITHIN 0.08mm MAX.
 - 2. PLATING
CONTACT AREA : GOLD 0.75µm MIN.
LEAD AREA : GOLD 0.05µm MIN.
UNDER PLATING: NICKEL 2µm MIN.
 - 3. PER REEL : 3000 pcs.
 - 4. INTERFACE DIMENSIONS TO USB2.0 SPECIFICATION.
 - 5. * INDICATES DUPLICATED DIMENSION.
 - 6. AS FOR PART No.3, THE PERFORMANCE REMAINS GOOD EVEN IF THERE IS A RUBBING WOUND BY THE ASSEMBLY PROCESS.
 - 7. AS FOR PART No.3, THERE IS NO PROBLEM ON THE QUALITY THOUGH THERE MIGHT BE A DIFFERENCE IN THE COLOR DEPENDING ON THE PLATING PROCESSING LOT.

2	COPPER ALLOY	2	5	PE	
1	LCP	BLACK UL94V-0	4	PS	
			3	STAINLESS STEEL	TIN PLATING 1µm MIN. LUBRICANT
NO.	MATERIAL	FINISH . REMARKS	NO.	MATERIAL	FINISH . REMARKS
UNITS	mm	SCALE	5 : 1	COUNT	DESCRIPTION OF REVISIONS
					DESIGNED
					CHECKED
					DATE
APPROVED : NM. NISHIMATSU		15.10.27		DRAWING NO. EDC-126572-30-00	
CHECKED : KN. ICHIKAWA		15.10.27		PART NO. ZX62D1-B-5PA(30)	
DESIGNED : TS. ITO		15.10.27		CODE NO. CL242-0048-5-30	
DRAWN : AK. AKIYAMA		15.10.27			