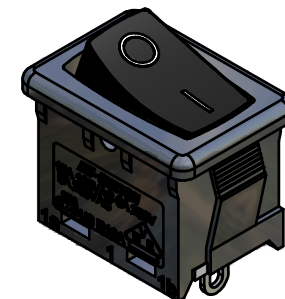
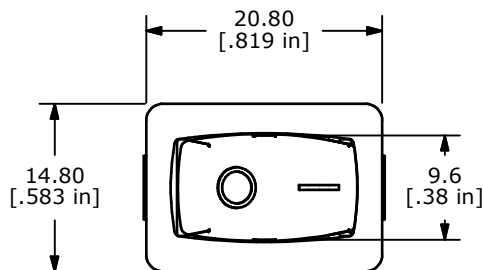


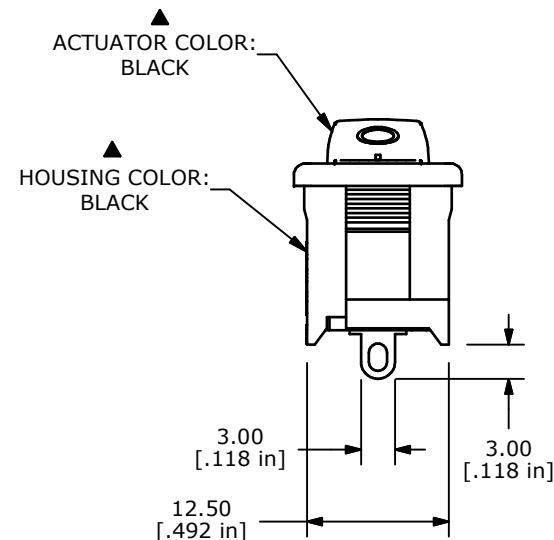
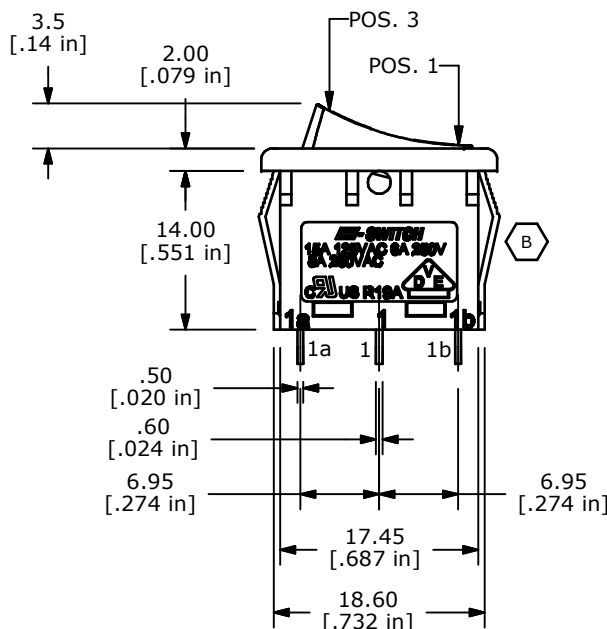
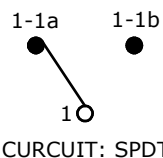
RECOMMENDED PANEL MOUNTING

PANEL THICKNESS	'X' DIM.
0.75-1.25	19.2 - 19.3
1.25-2.00	19.3 - 19.4
2.00-3.00	19.5 - 19.6



ISOMETRIC

SWITCH FUNCTION		
POS. 1	POS. 2	POS. 3
ON	NONE	ON
1-1a	OPEN	1-1b



NOTES:

1. ALL DIMENSIONS IN MM [INCH]
2. GENERAL TOLERANCE: X.X=±0.4  
X.XX=±0.25
3. TERM. NOS. FOR REF. ONLY
4. RATING: 15A @125VAC;  
8A @250VAC.
5. ▲ DENOTES CRITICAL PARAMETER.
6. MATERIAL:  
CONTACT SURFACE: COIN SILVER, SILVER PLATED.  
TERMINAL: COPPER ALLOY w/SILVER PLATE
7. ELECTRICAL LIFE: 10,000 CYCLES
8. CONTACT RESISTANCE: <20 MILLI-OHMS INITIAL
9. DIELECTRIC STRENGTH: >1,500V AC 1 MIN
10. ▲ DENOTES CRITICAL PARAMETER.
11. 2002/95/EC (RoHS) COMPLIANT B

REV	PCR NO	DESCRIPTION	DATE	BY
B	19359	UPDATE HOUSING & NOTES	11/02/10	BMA
A	17995	RELEASED FOR PRODUCTION	3/5/08	BLR

TITLE R1966CBLKBLKFS

SCALE 1.5:1	DATE 3/5/2008	DR BLR	DWG M309332	REV B
-------------	---------------	--------	-------------	-------