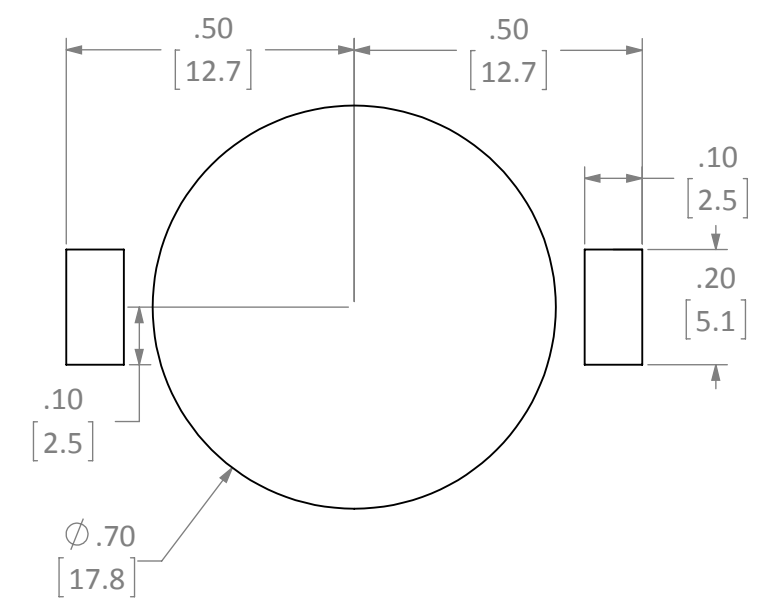
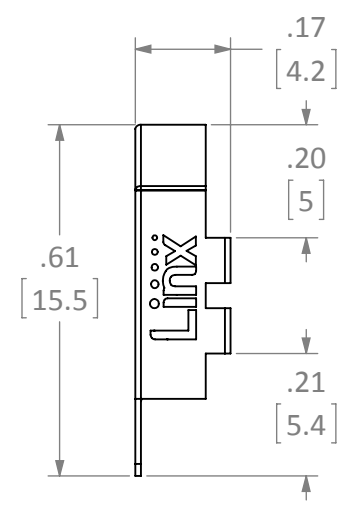
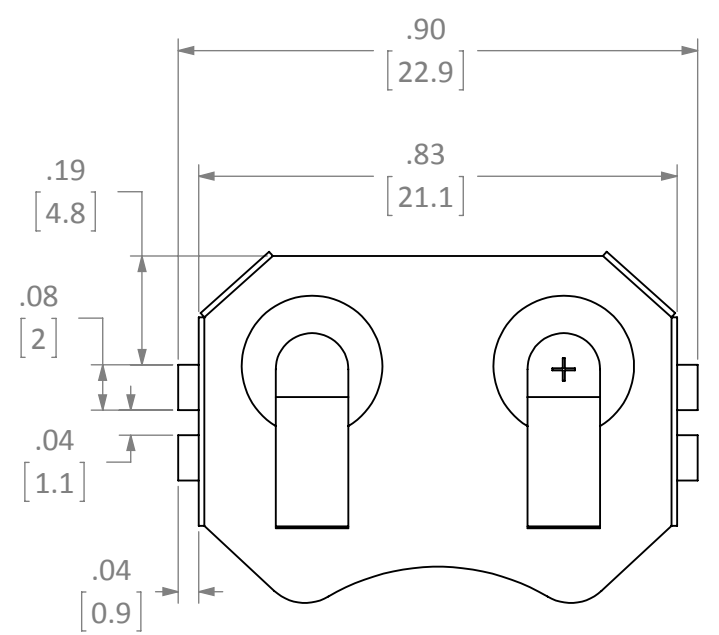
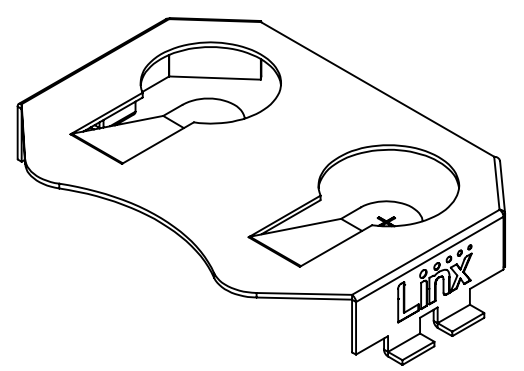


REVISIONS			
REV	DESCRIPTION	DATE	APPV
A	INITIAL RELEASE OF INTERNAL DOCUMENT	6-FEB-12	SAH
B	UPDATED AND REPOSITIONED LOGO, ADDED PART NUMBER TABLE	26-JUN-12	SAH
C	UPDATED NOTE 3; ADDED SECOND SHEET	23-JUL-18	CLL



RECOMMENDED FOOTPRINT

- NOTES: (UNLESS OTHERWISE SPECIFIED)
1. ALL DIMENSIONS ARE IN INCHES [mm].
  2. DIMENSIONS APPLY AFTER FINISHING.
  3. MANUFACTURE TO BE COMPLIANT WITH EU RoHS DIRECTIVE, USE MATERIALS THAT DO NOT CONTAIN REACH SUBSTANCES OF VERY HIGH CONCERN >1000ppm, AND USE DRC CONFLICT-FREE SOURCED MATERIALS.
  4. SAFETY BREAK ALL SHARP CORNERS AND EDGES .02 MAXIMUM.



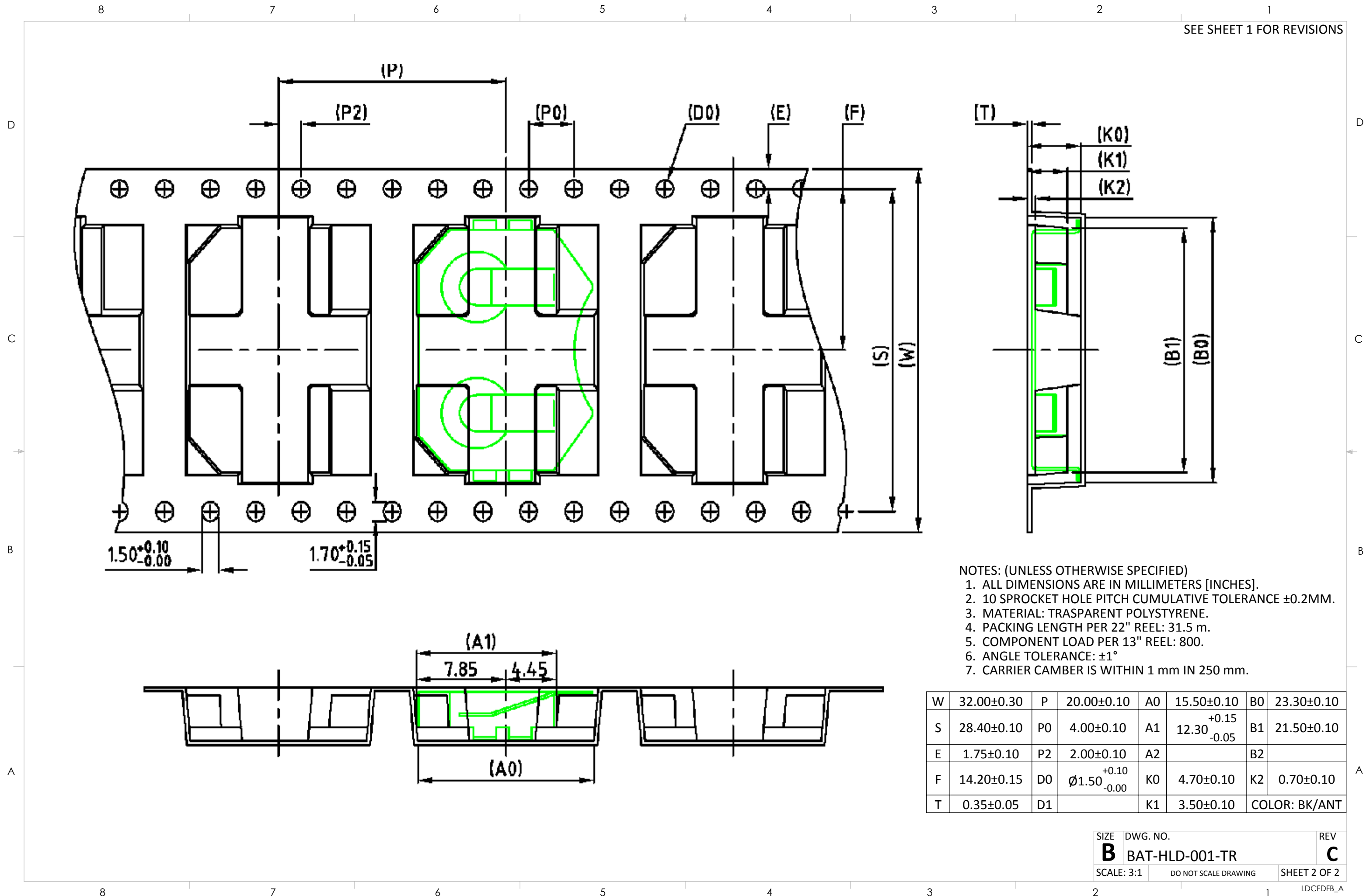
PART NUMBER	LOGO	PACKAGING
BAT-HLD-001	YES	BULK
BAT-HLD-001-NO	NO	BULK
BAT-HLD-001-TR	YES	TAPE & REEL

**WARNING:** THIS DRAWING CONTAINS PROPRIETARY INFORMATION THAT IS THE SOLE PROPERTY OF LINX TECHNOLOGIES, AND SHALL BE TREATED AS SUCH. NO DISCLOSURE OR REPRODUCTION OF THIS DOCUMENT IS PERMITTED, IN WHOLE OR IN PART, WITHOUT THE EXPRESS WRITTEN PERMISSION OF LINX TECHNOLOGIES OR ITS DESIGNATED AGENTS.

**Linx** 159 ORT LANE  
MERLIN, OR 97532

TITLE: **BATTERY HOLDER OUTLINE**  
**CR2032, CR2025 SURFACE MOUNT**

MATERIAL: PHOSPHOR BRONZE #C-5191	INTERPRET DIMENSIONS AND TOLERANCES PER ASME Y14.5. SURFACE FINISH: $\sqrt{}$ ANGLES: $\pm 1^\circ$ TOLERANCES: .X $\pm .1$ .XX $\pm .01$ .XXX $\pm .005$	PROJECTION: 	SIZE DWG. NO. REV <b>B</b> BAT-HLD-001-xx-OTL <b>C</b>
FINISH: NICKEL PLATE	DRAWN: B.MURPHY DT: 25-MAY-12 ENGR: S.HOGAN DT: 25-MAY-12	SCALE: 3:1 DO NOT SCALE DRAWING	SHEET 1 OF 2



- NOTES: (UNLESS OTHERWISE SPECIFIED)
1. ALL DIMENSIONS ARE IN MILLIMETERS [INCHES].
  2. 10 SPROCKET HOLE PITCH CUMULATIVE TOLERANCE  $\pm 0.2$ MM.
  3. MATERIAL: TRASPARENT POLYSTYRENE.
  4. PACKING LENGTH PER 22" REEL: 31.5 m.
  5. COMPONENT LOAD PER 13" REEL: 800.
  6. ANGLE TOLERANCE:  $\pm 1^\circ$
  7. CARRIER CAMBER IS WITHIN 1 mm IN 250 mm.

W	32.00 $\pm$ 0.30	P	20.00 $\pm$ 0.10	A0	15.50 $\pm$ 0.10	B0	23.30 $\pm$ 0.10
S	28.40 $\pm$ 0.10	P0	4.00 $\pm$ 0.10	A1	12.30 <sup>+0.15</sup> <sub>-0.05</sub>	B1	21.50 $\pm$ 0.10
E	1.75 $\pm$ 0.10	P2	2.00 $\pm$ 0.10	A2		B2	
F	14.20 $\pm$ 0.15	D0	$\varnothing 1.50$ <sup>+0.10</sup> <sub>-0.00</sub>	K0	4.70 $\pm$ 0.10	K2	0.70 $\pm$ 0.10
T	0.35 $\pm$ 0.05	D1		K1	3.50 $\pm$ 0.10	COLOR: BK/ANT	

SIZE	DWG. NO.	REV
<b>B</b>	<b>BAT-HLD-001-TR</b>	<b>C</b>
SCALE: 3:1	DO NOT SCALE DRAWING	SHEET 2 OF 2