

NOTES:

1. MATERIALS AND FINISHES:

- FERRULE - COPPER, NICKEL PLATING
- NUT - BRASS, NICKEL PLATING
- CONTACT PIN - PHOSPHOR BRONZE, GOLD PLATING
- SPRING - BERYLLIUM COPPER, NICKEL PLATING
- GASKET - SILICONE RUBBER, RED
- BODY - BRASS, NICKEL PLATING
- INSULATOR - PTFE, NATURAL

2. ELECTRICAL:

- A. IMPEDANCE: 50 OHM, NOMINAL
- B. FREQUENCY RANGE: 0-3 GHz
- C. VSWR (RETURN LOSS): 1.3 (-17.692) MAX.
- D. D.W.V: 1500 VRMS, MIN.

3. MECHANICAL:

- A. DURABILITY: 500 CYCLES MIN.
- B. TEMPERATURE RANGE: -65°C TO +165°C

4. CRIMPED FERRULE HEX CRIMP SIZE .213"

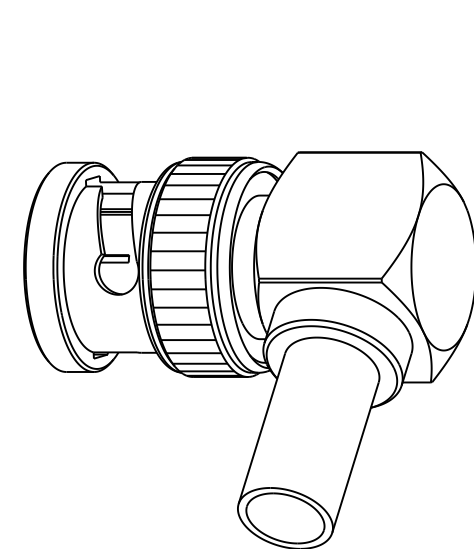
5. CONTACT PIN TO SOLDER

6 SHOWS CABLE ENTRY DIMENSIONS.

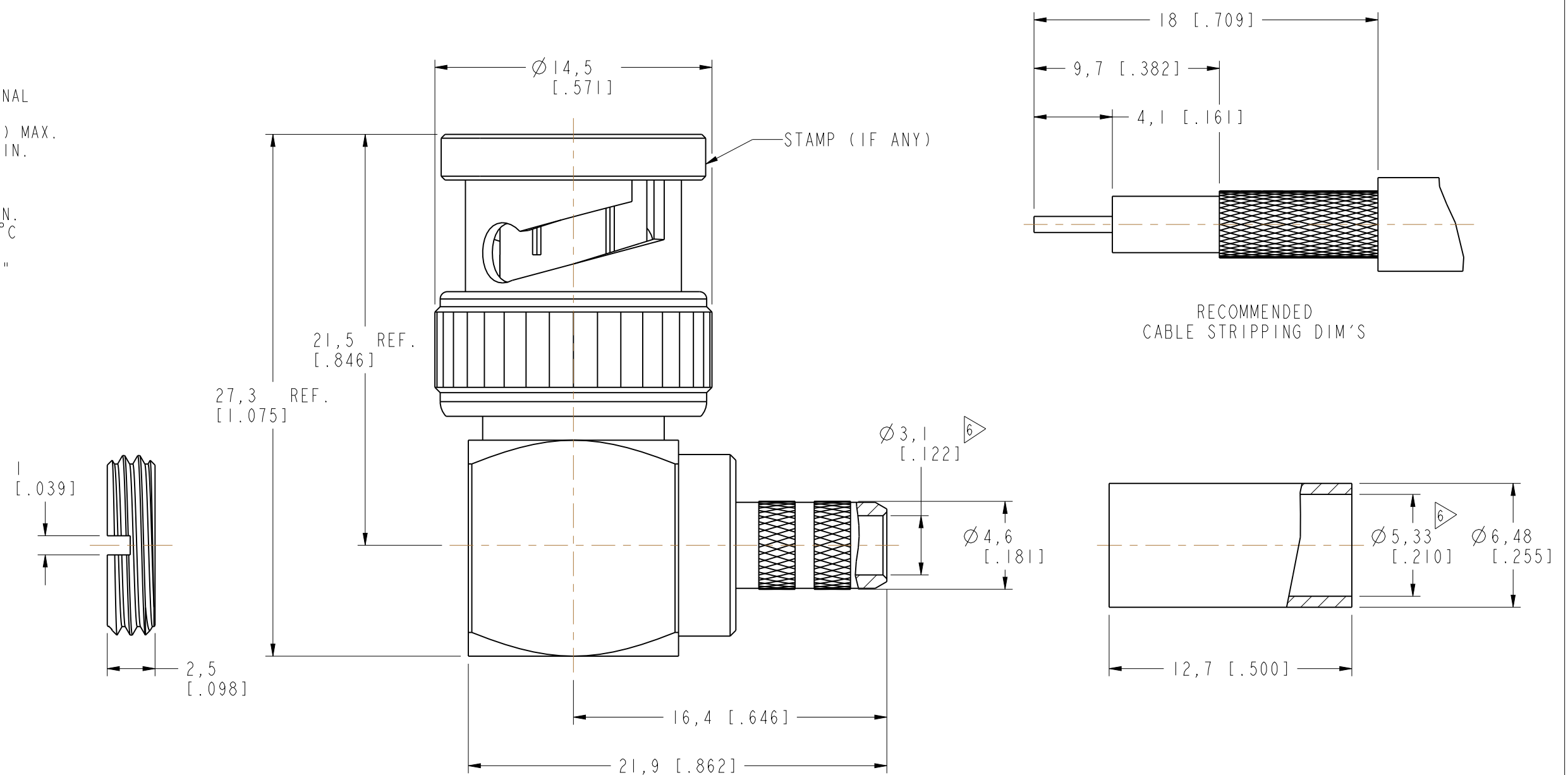
THIRD ANGLE PROJ.

REVISIONS

REV	DESCRIPTION	DATE	ECO	APPR
NC	INITIAL RELEASE	20-Nov-02	----	GRS
A	UPDATE DRAWING FORMAT	24-Apr-13	2467	SL
B	REVISE THE SPRING MATERIAL; MODIFY THE BARREL O.D. & FERRULE DIMENSIONS	27-Mar-15	2894	BCG



SCALE 2.000



**CUSTOMER OUTLINE DRAWING**  
ALL OTHER SHEETS ARE FOR INTERNAL USE ONLY

<p>UNLESS OTHERWISE SPECIFIED, DIMENSIONS ARE IN METRIC AND TOLERANCES ARE:                  &lt;0.5mm ± 0.05mm    0.5 - 6mm ± 0.1mm    6 - 30mm ± 0.2mm    30 - 120mm ± 0.3mm    ANGLES ± 1°</p> <p>NOTICE - These drawings, specifications, or other data (1) are, and remain the property of Amphenol corp. (2) must be returned upon request; and (3) are confidential and not to be disclosed to any person other than those to whom they are given by Amphenol Corp. the furnishing of these drawings, specifications, or other data by Amphenol Corp., or to any other person to anyone for any purpose is not to be regarded by implication or otherwise in any manner licensing, granting rights to permitting such holder or any other person to manufacture, use or sell any product, process or design, patented or otherwise, that may in any way be related to or disclosed by said drawings, specifications, or other data.</p>	MATERIAL	DRAWN M. ZHANG	DATE 27-Mar-15	TITLE BNC REVERSE POLARITY R/A CRIMP PLUG (FOR RG-58/U, 58C/U CABLE)	Amphenol Connex
	REFERENCE RB1112A1-NT3G-58U-50	ENGINEER TONY	DATE 27-Mar-15		
	CONFIGURATION LEVEL: In Work	APPROVED B.C. GLEISSNER	DATE 27-Mar-15	SCALE: 4.0:1.0   SHEET 3 OF 3	ITEM NO.
	FINISH	CAD FILE	DWG SIZE B	REV B	PART NO. 112162RP