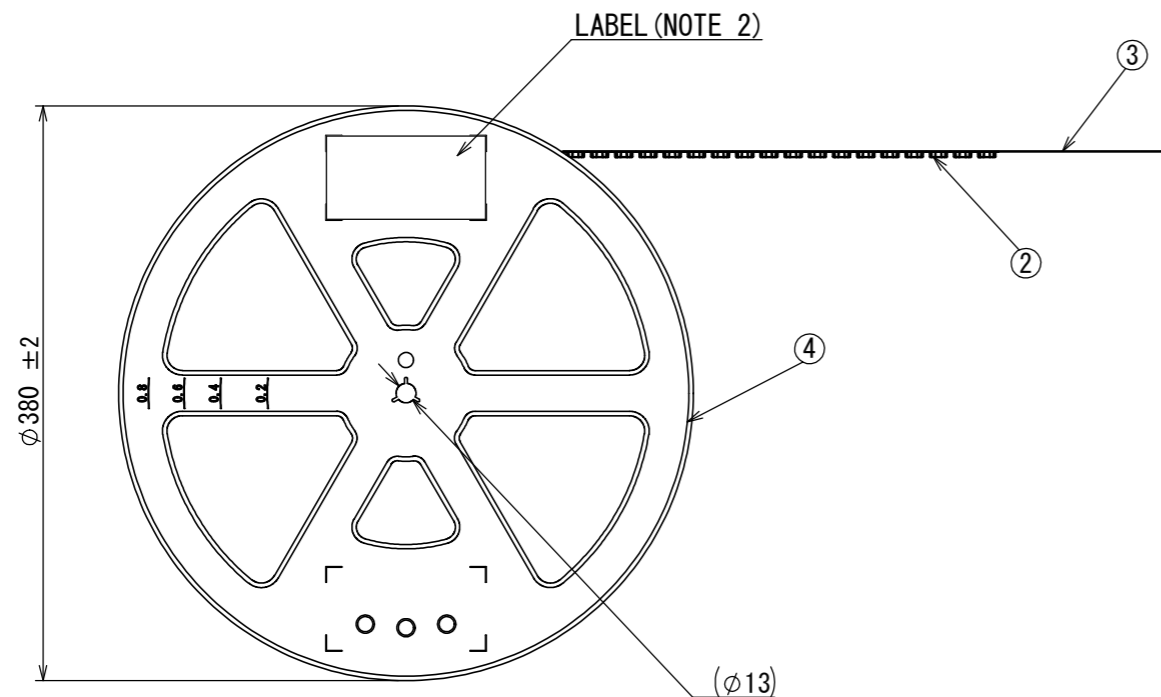
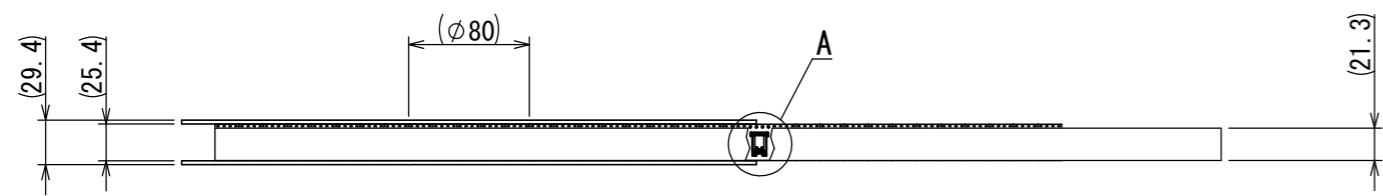


189911RS
(ON DRAWING) (台番号)

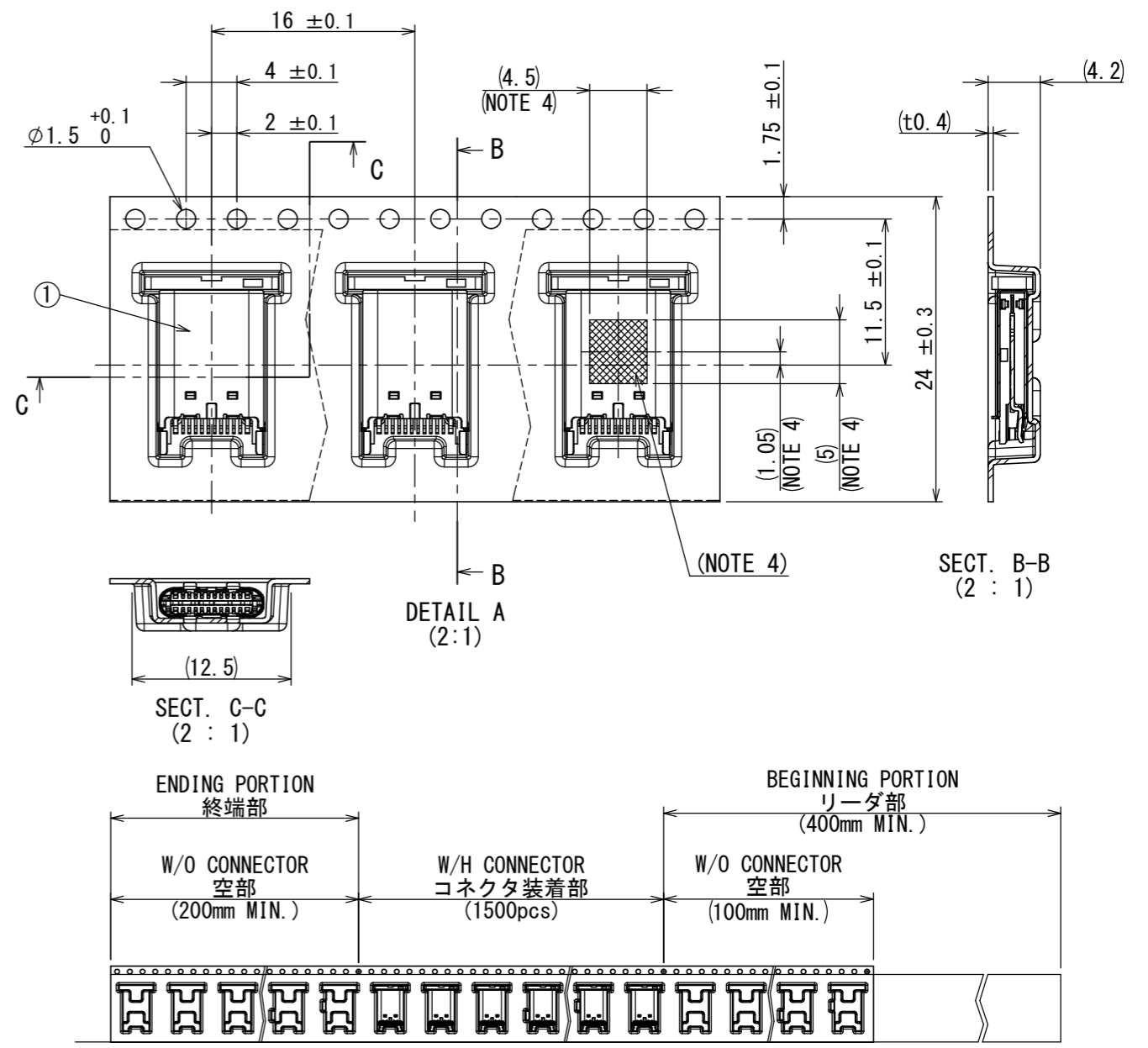
版数 VER.	年月日 DATE	CN NO.	変更内容 DESCRIPTION	製図 DR.	担当 CHK.	査閲 APPD.	承認 APPD.
------------	-------------	--------	---------------------	-----------	------------	-------------	-------------



現品ラベル/ARTICLE LABEL
品名 (DESCRIPTION) DX07P024AJ1R1500
図番 (PART No.) SJ116681
数量 (Q'ty) 1,500
ITEM NO
Lot No.
E. Code: TB2416
2015/07/01
MADE IN JAPAN
Japan Aviation Electronics Industry, Ltd.
QCF-C-067612(01)/JAPS-9008-2

TAPE WIDTH FEED PITCH NUMBER OF CONNECTOR
LABEL (NOTE 2)

NOTE1. SUFFIX "R1500" OF PART NUMBER DX07P024AJ1R1500 INDICATES 1500PCS IN A REEL.
NOTE2. THE LABEL IN WHICH PART No., QUANTITY, LOT No., TAPE WIDTH AND FEED PITCH ARE MARKED IS ATTACHED AS SHOWN.
NOTE3. REFER TO THE DRAWING SJ116680 (DX07P024AJ1) FOR CONNECTOR DIMENSION.
NOTE4. VACUUM AREA. (REF.)

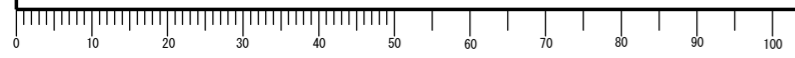


DIRECTION
引き出し方向 →

符号 NO.	名称 DESCRIPTION	個数 QTY.	材料 MATERIAL	仕上 FINISH	備考 REMARKS
4	REEL	-	POLYSTYRENE	-	-
3	COVER TAPE	-	POLYESTER	-	-
2	CARRIER TAPE	-	POLYSTYRENE	-	-
1	CONNECTOR	1500	-	-	SJ116680

仕様書 (SPECIFICATION)	第1版 (ORIGINAL DATE) 18/DEC/2015	尺度 (SCALE) —	シリーズ (SERIES) DX07	日本航空電子工業株式会社 JAE
一般公差 (GENERAL TOLERANCE)	製図 DR. —	名称 (TITLE) DX07P024AJ1R1500		JAPAN AVIATION ELECTRONICS INDUSTRY, LTD.
寸法 (DIMENSION)	担当 CHK. K. UEDA	質量 (MASS)		
角度 (ANGLES)	査閲 APPD. —	承認 APPD. Y. SAITOU		図面番号 (DRAWING NO.) SJ116681
単位 (UNIT) : mm	承認 APPD. Y. SAITOU	質量 (MASS)		版数 (VER.) 1

DCF-C-212H(12.08)



WISDOM承認 2015/12/24