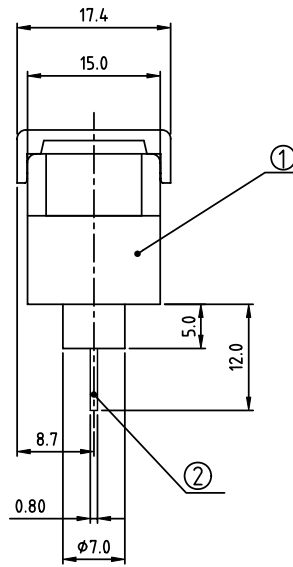
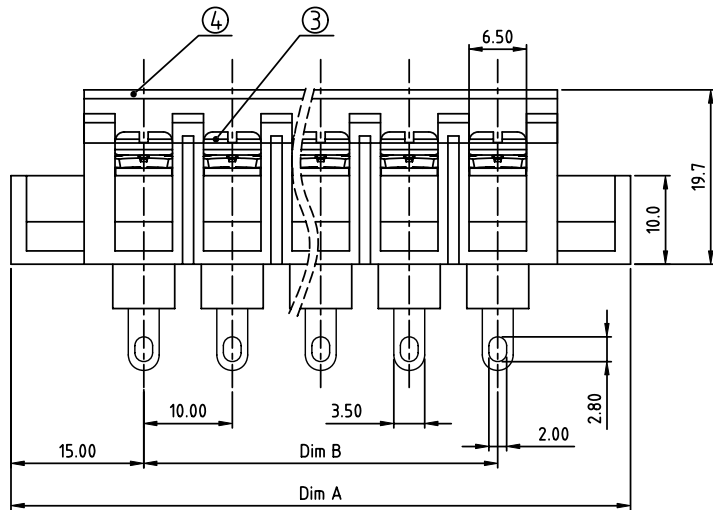
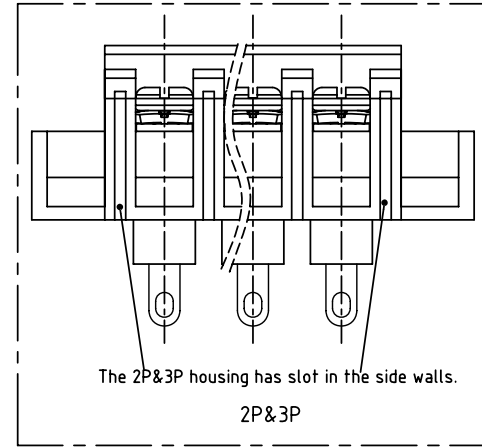
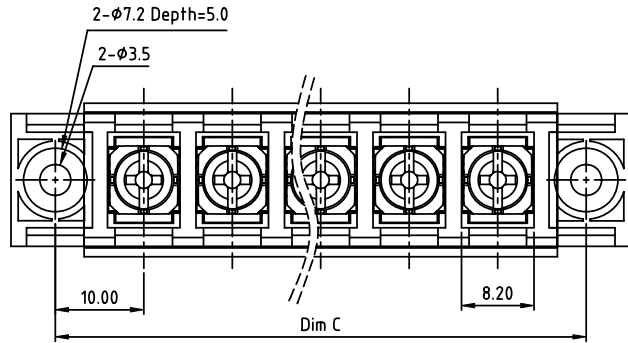


PRODUCT NUMBER	PITCH
YK606xx1x0JOG	10.00 mm



**MATERIALS & ELECTRICAL**

**RATED VOLTAGE & CURRENT:** 300 V, 20 A

**WITHSTAND VOLTAGE:** AC 2000 V/Min

**INSULATION RESISTANCE:** 1000 MΩ OR MORE AT DC 500 V

**OPERATING TEMPERATURE RANG:** -40 °C ~ +115 °C

**SCREW TORQUE VALUE:** 12 Lb-In.

**WIRE RANGE:** 22 - 12AWG

**1) HOUSING:** THERMOPLASTIC, UL 94 V-0 BLACK

**2) TERMINAL:** BRASS, 0.8t

**3) TERMINAL SCREWS:** STEEL, M3.5

**4) COVER MATERIAL:** PC

APPROVAL: US

**DIMENSION**

Dim A	(N+2)×10.0
Dim C	(N+1)×10.0
Dim B	(N-1)×10.0

N=Number of poles

Poles	Tolerance
2p-4p	±0.20
5p-10p	±0.30
11p-24p	±0.40
25p-30p	±0.50

PART NO.: YK 606xx 1 x 0 JOG

No. of poles  
02 2 poles  
03 3 poles  
...  
30 30 poles

Plated		
Code	Terminal	Screw
0	G/F	G/F
1	G/F	Zinc
2	Tin	G/F
3	Tin	Zinc

RoHS compliant  
(lead<4%)  
In copper Alloy

mat'l. code	surface ASME Y14.5	tolerance ASME Y14.5	projection 	product family TERMINAL BLOCK
ltr	ecn	no	dr	date
tolerances unless otherwise specified			MM	title TERMINAL BLOCK
angles	φ	X.±0.5	scale	BARRIER TYPE, WITH FLANGE&COVER
X'±1"	φ	X.X±0.3		type
dr	ENGR	EVAN LU	061414	dwg no YK606xx1x0JOG
enr	EVAN LU	061414		sheet 1 of 1 size A4
chr	HANKE FENG	061414		type CUSTOMER Drawing
appd	SHI JUN	061414		
sheet index	revision	A		
	sheet	1		