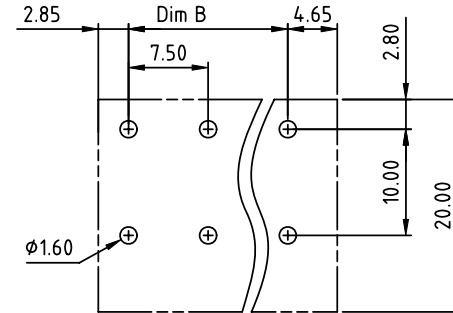
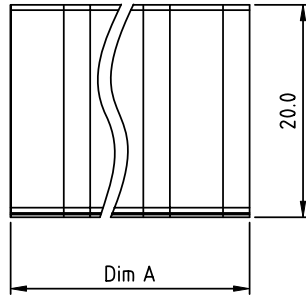


PRODUCT NUMBER	PITCH
TRxx25x1A0J0G	7.50 mm



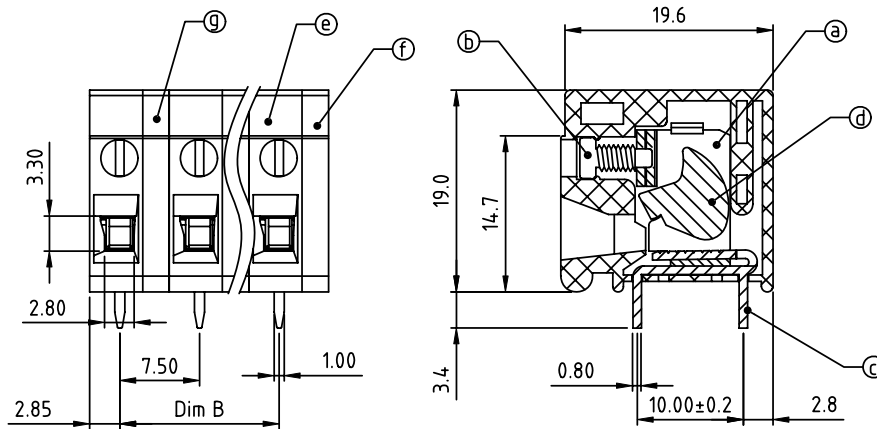
RECOMMENDED P.C.B LAYOUT  
TOP VIEW

Material:

- Item ① Terminal body (metal housing): steel stamping Zinc plating
- Item ② Terminal screw: Steel Zinc plating "-" slot type
- Item ③ Contacts: Brass, Tin plated
- Item ④ Firm wire chunk: steel Zinc plating
- Item ⑤ Insulator (housing): Thermoplastic (UL94V-0)
- Item ⑥ Terminal cover: Thermoplastic (UL94V-0)
- Item ⑦ padding block: Thermoplastic (UL94V-0)

Electrical cULus

- Voltage rating: 300VAC
- Current rating: 20A
- Wire range:
  - Solid wire (AWG): 12-22
  - Stranded wire (AWG): 12-22
- Torque (Lb-In): 2.4
- Screw: M2.5
- Wire strip length: 10-11mm
- Withstanding Voltage: 1.6KV
- Operating temperature: -40°C to +115°C
- Soldering temperature: 260°C ± 5°C / 5 Sec
- Safety Approval: cULus



PART NO.: TR xx 25 x 1 A0J0 G

N = Number of poles  
Dim A = N x 7.5  
Dim B = (N-1) x 7.5

Poles	Dim A	Dim B
2-6p	±0.20	±0.20
7-12p	±0.30	±0.30
13-16p	±0.40	±0.40

End stackable	No. of poles	Body Color	RoHS compliant (lead < 4%) In copper Alloy
0	2	Black (RAL9005)	
02	2 poles	Red (RAL3001/D)	
03	3 poles	Orange (RAL2011/P)	
...	...	4 Yellow (RAL1018/A)	
...	...	5 Green (RAL6018/T)	
16	16 poles	6 Blue (RAL5015/A)	
		8 Grey (RAL7035/D)	
		9 White (RAL1102)	
		C Green (RAL6018/U)	

mat'l. code		surface ASME Y14.5 ✓	tolerance ASME Y14.5	projection MM	product family TERMINAL BLOCK
ltr ecn no dr date		tolerances unless otherwise specified		MM	title TERMINAL BLOCK WIRE PROTECTOR, 180D WIRE INLET
		angles X ± 1°	X ± 0.5 X.X ± 0.3 X.XX ± 0.1	scale	dwg no TRxx25x1A0J0G
		dr	EVIN ZHONG 040114	FCI	sheet 1 of 1 size A4
		engr	EVIN ZHONG 040114		type CUSTOMER Drawing
		chr	HANKE FENG 040114		
		appd	SHI JUN 040114		
sheet index	revision sheet	A	1		