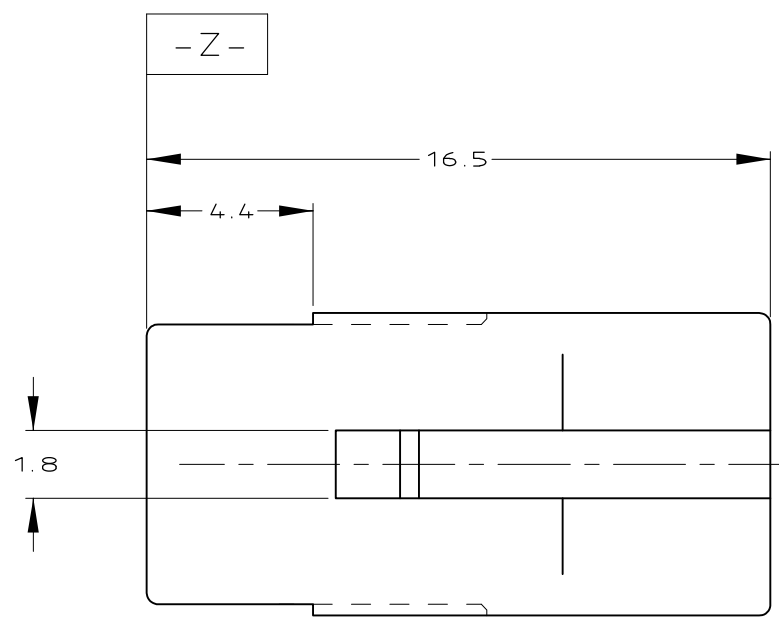
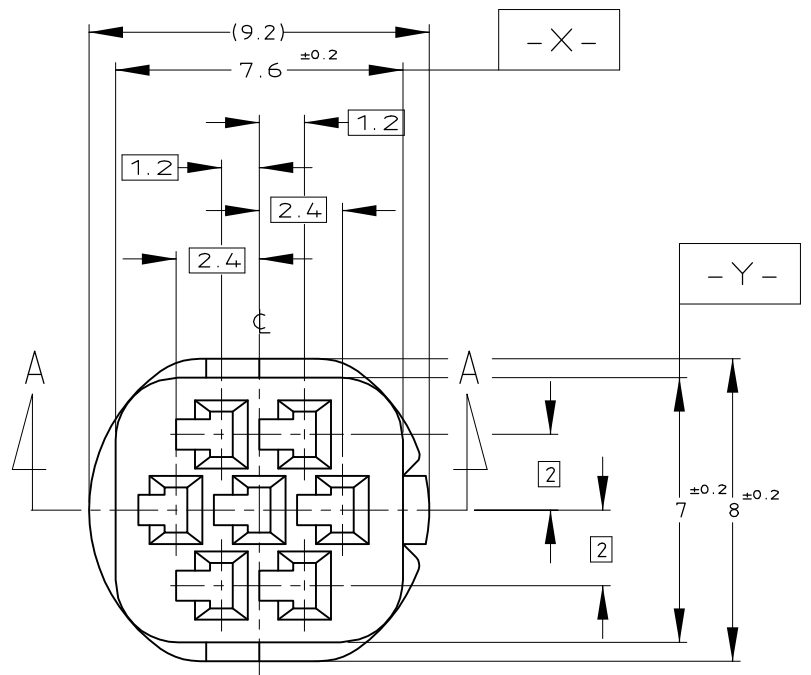
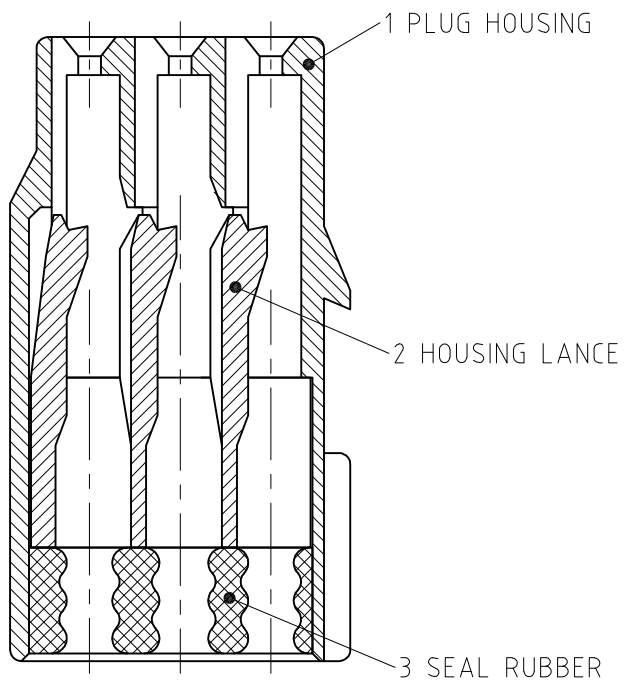


THIS DRAWING IS UNPUBLISHED. RELEASED FOR PUBLICATION MAY,2014 .  
 © COPYRIGHT 2014 By Tyco Electronics Japan G.K. ALL RIGHTS RESERVED.

LOC	DIST	REVISIONS					
J	—	P	LTR	DESCRIPTION	DATE	DWN	APVD
		A1	REVISED	ECR-14-010745	18JUN14	AY	TK



1. 嵌合相手ハウジング型番 ; 2822344
  2. 内装するリセコンタクト型番 ; 917308
  3. 適用製品規格番号 ; 108-5426
  4. 取扱説明書 ; 412-5653
  5. シールラバーはフタル酸フリー品である。
- 
1. THE MATING CAP HSG P/N 2822344
  2. APPLIED CONTACT P/N 917308
  3. APPLICABLE PRODUCT SPEC No.108-5426
  4. INSTRUCTION SHEET:412-5653
  5. SEAL RUBBER IS NON-BIS TYPE



1	1	1	1	1	SEAL RUBBER (BLACK)	3
1	1	1	1	1	7POSITION HOUSING LANCE (GREEN)	2
1					7POSTION PLUG HOUSING (YELLOW)	1
	1				7POSTION PLUG HOUSING (GRAY)	1
		1			7POSTION PLUG HOUSING (BLACK)	1
			1		7POSITION PLUG HOUSING (NATURAL)	1
				1	7POSTION PLUG HOUSING (GREEN)	1
2822343-5	2822343-4	2822343-3	2822343-2	2822343-1	NAME & COLOR	ITEM NO.

TOLERANCE UNLESS OTHERWISE SPECIFIED: 一般公差

0 < x ≤ 10	: ±0.2
10 < x ≤ 30	: ±0.25
30 < x ≤ 100	: ±0.3
ANGLE ; 角度	: ±0.3°

THIS DRAWING IS A CONTROLLED DOCUMENT.

DIMENSIONS: 単位: 耗 mm

TOLERANCES UNLESS OTHERWISE SPECIFIED: 一般公差

0 PLC	± -
1 PLC	± -
2 PLC	± -
3 PLC	± -
4 PLC	± -
ANGLES	± -

MATERIAL 材料: PBT G

FINISH 仕上: SEE TABLE

DWN: D.MATSUURA 09JUN2014  
 CHK: T.KOHNO 09JUN2014  
 APVD: T.KOHNO 09JUN2014

NAME 名称: MINI MULTI LOCK CONNECTOR 7POS PLUG HSG ASSY

PRODUCT SPEC 製品規格: SEE TABLE

APPLICATION SPEC 取付適用規格: SEE TABLE

WEIGHT: 0.85g

SIZE: A3 CAGE CODE: 00779 DRAWING NO 番号: 2822343

CUSTOMER DRAWING

SCALE 尺度: 5:1 SHEET: 1 OF 1 REV: A1