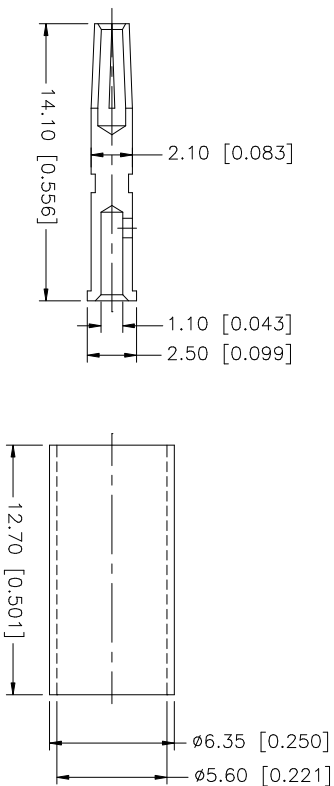
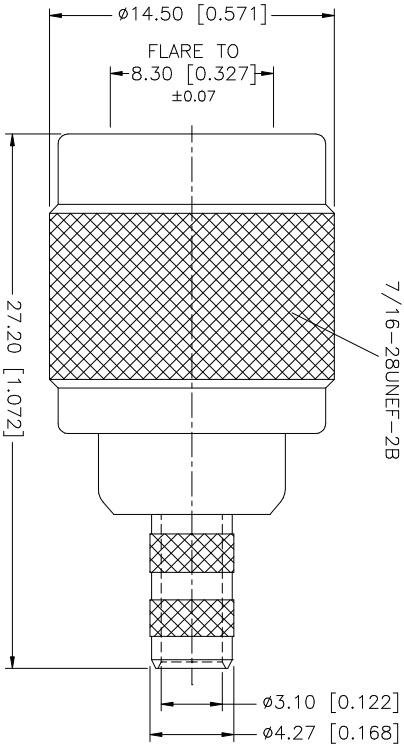
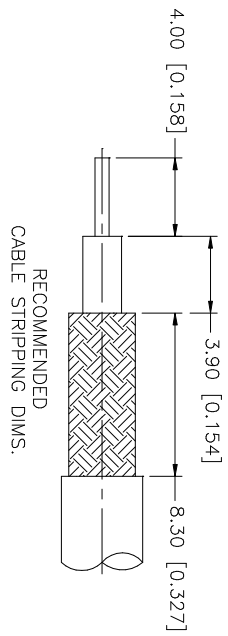


REV.	DATE
A	02/24/03

DESCRIPTION
UPDATE DRAWING FORMAT



- NOTE:
1. CRIMPED FERRULE
HEX CRIMP SIZE .312"
 2. CRIMPED CONTACT PIN
HEX CRIMP SIZE .068"

8								
8								
7								
6								
5								
4	FERRULE	COPPER	NICKEL	1				
3	INSULATOR	TEFLON	NATURAL	1				
2	CONTACT PIN	PHOS. BRONZE	GOLD	1				
1	SHELL/BODY	BRASS	NICKEL	1				
	DESCRIPTION	MATERIAL	FINISH	QTY	DO NOT SCALE DRAWING	CAD FILE	APPROVALS	DATE
						C:/122/122372RP.DWG	G.R.S.	02/24/03
							CHECKED	
							ISSUED	
							SHEET	1 OF 1
							PART NO.	122372RP
							DWG. NO.	122372RP.DWG
							REV.	A
							SIZE	A
							SCALE	NA
							<p>Amphenol Connex</p> <p>PART DESCRIPTION</p> <p>TNC REVERSE POLARITY CRIMP PLUG (FOR RG-55/U, 142A/U, 223/U, 400/U CABLE)</p>	

UNLESS OTHERWISE SPECIFIED DIMENSIONS ARE IN INCHES AND FOR CUSTOMER REFERENCE ONLY.

UNLESS OTHERWISE SPECIFIED TOLERANCES FOR MILL TO 50 KIPS

0.5 - 8mm ± 0.20mm
8 - 30mm ± 0.40mm
30 - 120mm ± 0.50mm

UNLESS OTHERWISE SPECIFIED TOLERANCES FOR INCHES ARE

.020 - .315 = ± 0.007"
.315 - 1.180 = ± 0.015"
1.180 - 4.724 = ± 0.020"