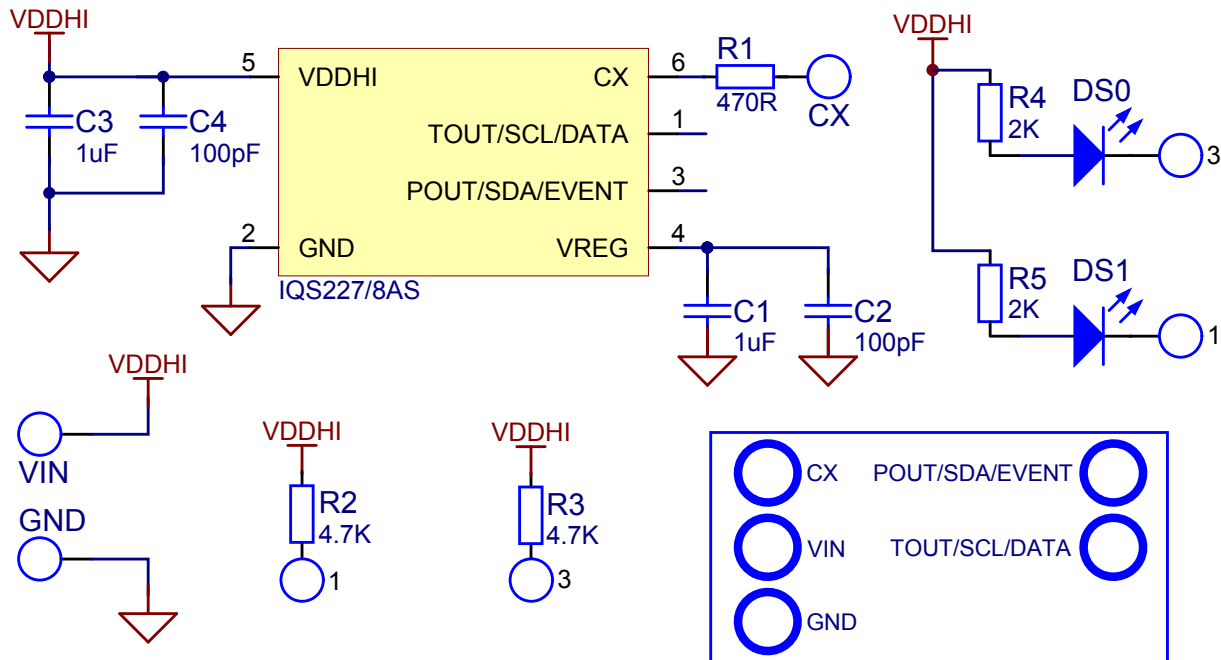


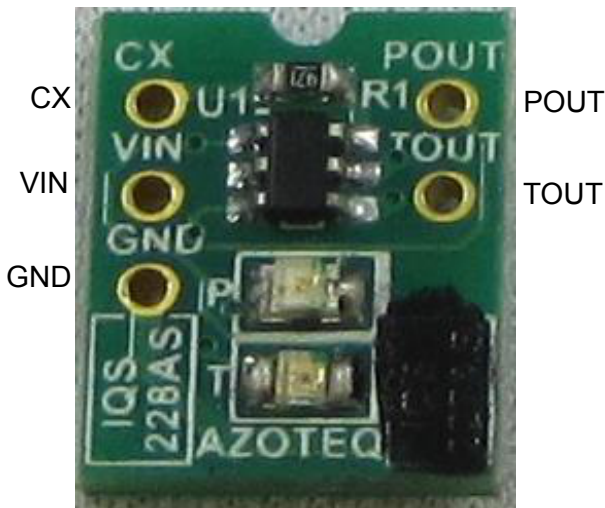


IQS227-228AS on AZP451A01 Connection Guide

1 IQS227-228AS on AZP451A01



2 PC board (AZP451A01)



3 CT-Tool Connections

IQS227-228AS pins	Azoteq Configuration Tool
GND	1
VDDHI	3
POUT/DATA	7
TOUT/CLOCK	9

