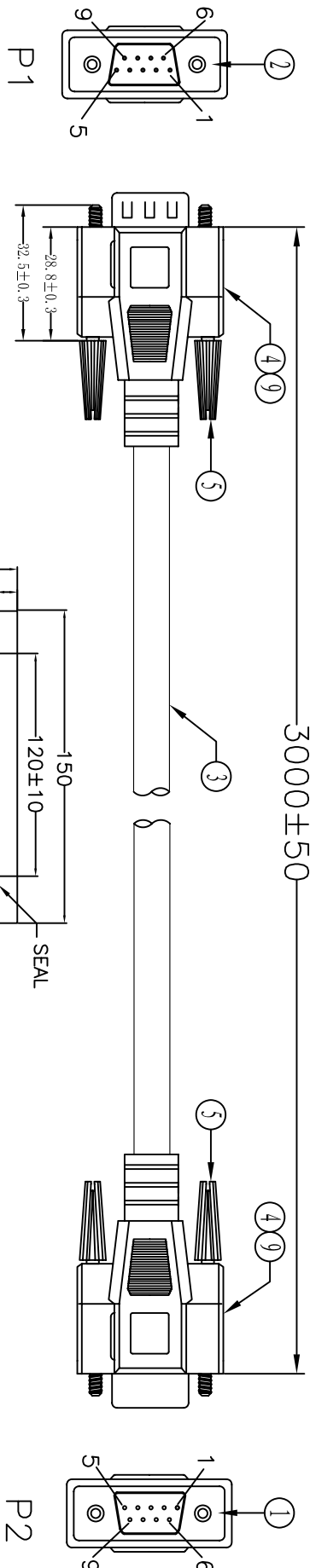
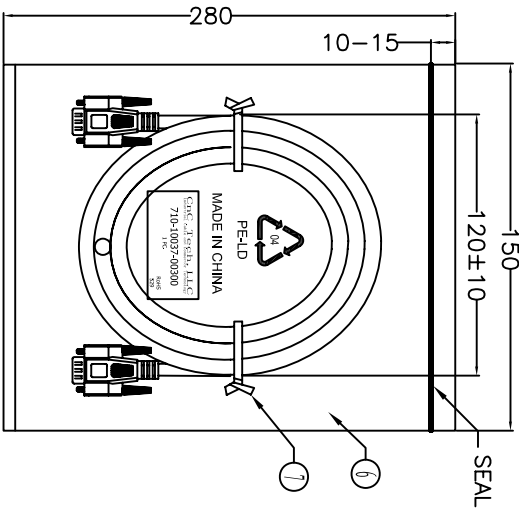


UNIT : MM



Electronic Test:
 1. 100% Test,(Open,Short, Miss Wire)
 2. Contact Resistance:5 ohm max.
 3. Insulation Resistance:5M ohm min.
 4. Hi-Pot:300V DC.



PIN ASSIGNMENT

P1	P2
1 BLACK	1
2 GREY	2
3 YELLOW	3
4 PURPLE	4
5 ORANGE	5
6 RED	6
7 BROWN	7
8 GREEN	8
9 BLUE	9
SHELL DRAIN	9
SHELL	SHELL

①	TUBE	2	HEAT SHRINK TUBE BLACK OD1.5*L15MM
②	PE BAG	1/10	CLEAR SIZE:360*380*0.05mm PRINT BLACK*MADE IN CHINA*10PCS*印生产周期,有透气孔.
③	TIE	2	WHITE L=100mm
④	PE BAG	1	CLEAR SIZE:150*280*0.05mm PRINT BLACK*MADE IN CHINA*1PC*印生产周期,有透气孔.
⑤	SCREW	4	SCREW:#4-40UNC D-E L32.5mm,NICKEL PLATED,INSULATION COLOR BEIGE(V-29).
⑥	IN JACKET	8g	CLEAR LDPE(MOULD NO:NM-049)
⑦	OUT JACKET	43.5g	BEIGE(V-29#) 40P PVC(MOULD NO:WW-113)
⑧	CABLE	1	NOUL 30AWG*9C+D+AL OD5.0mm COLOR BEIGE(V-29#)
⑨	CONN	1	DB 9P MALE SOLDER TYPE G/F .BLUE INSULATION
⑩	CONN	1	DB 9P FEMALE SOLDER TYPE G/F .BLUE INSULATION

Cnc Tech, LLC
 Industrial Cable and Connector Technology

DRAWN BY	ZHONGHANG	DRAWING NO.	
CHECKED BY		CUSTOMER	
APPROVAL BY		ITEM NO.	710-10037-00300
DATE		DATE	2012-02-17
VERSIONS/EDITION	A/0	PROJECT	

4

3

2

1

A

B

C

D

A

B

C

D