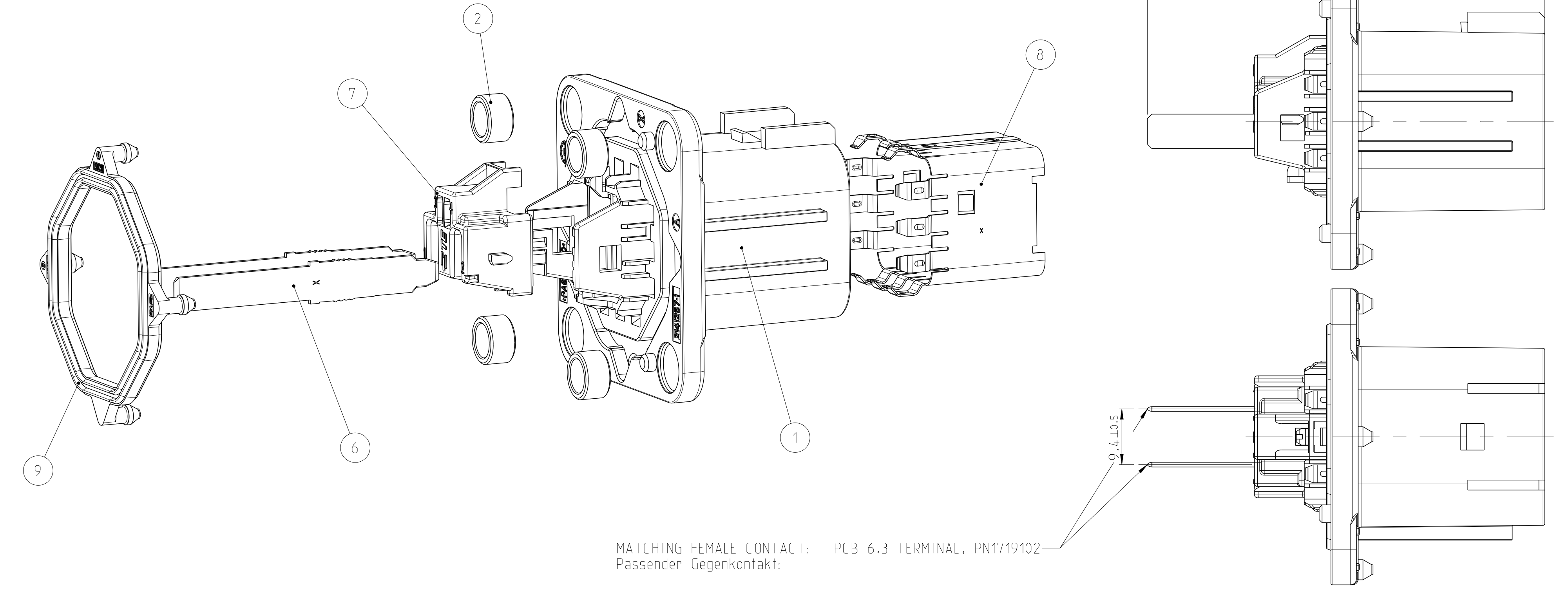
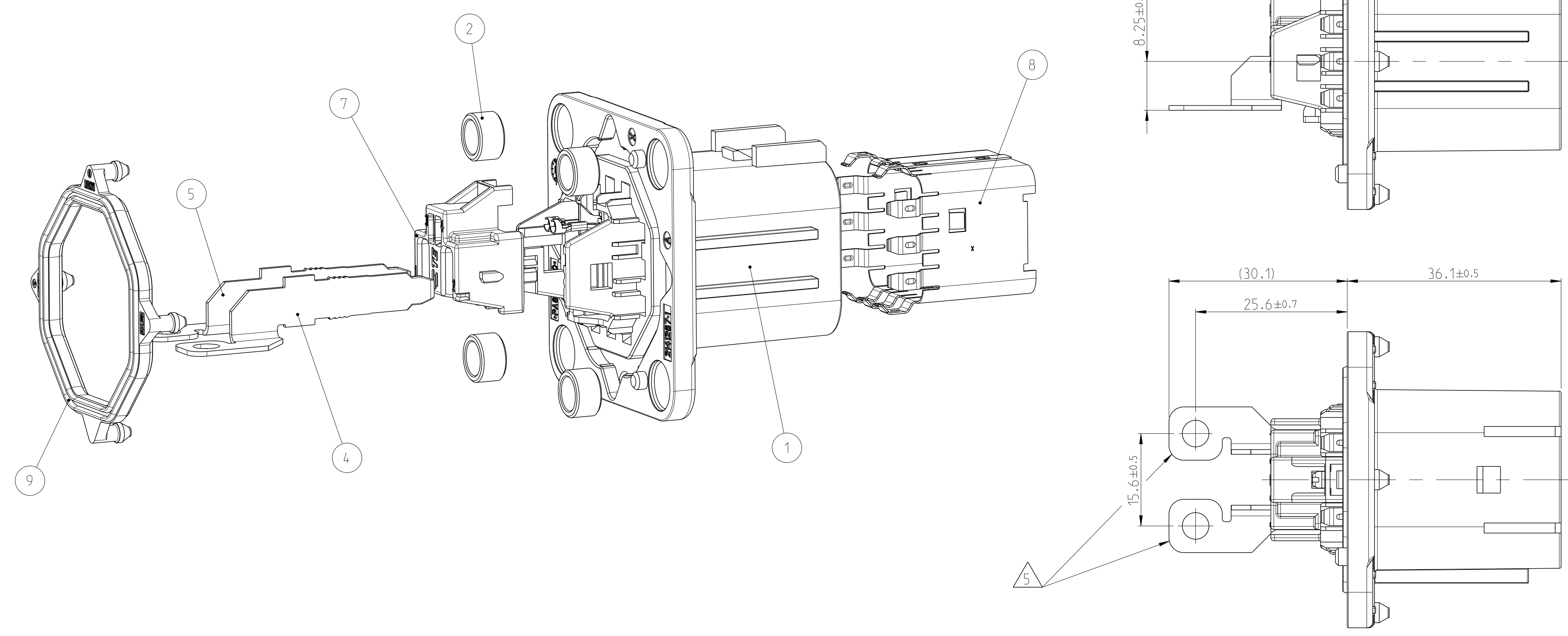


VARIANT 2- -X  
Variante



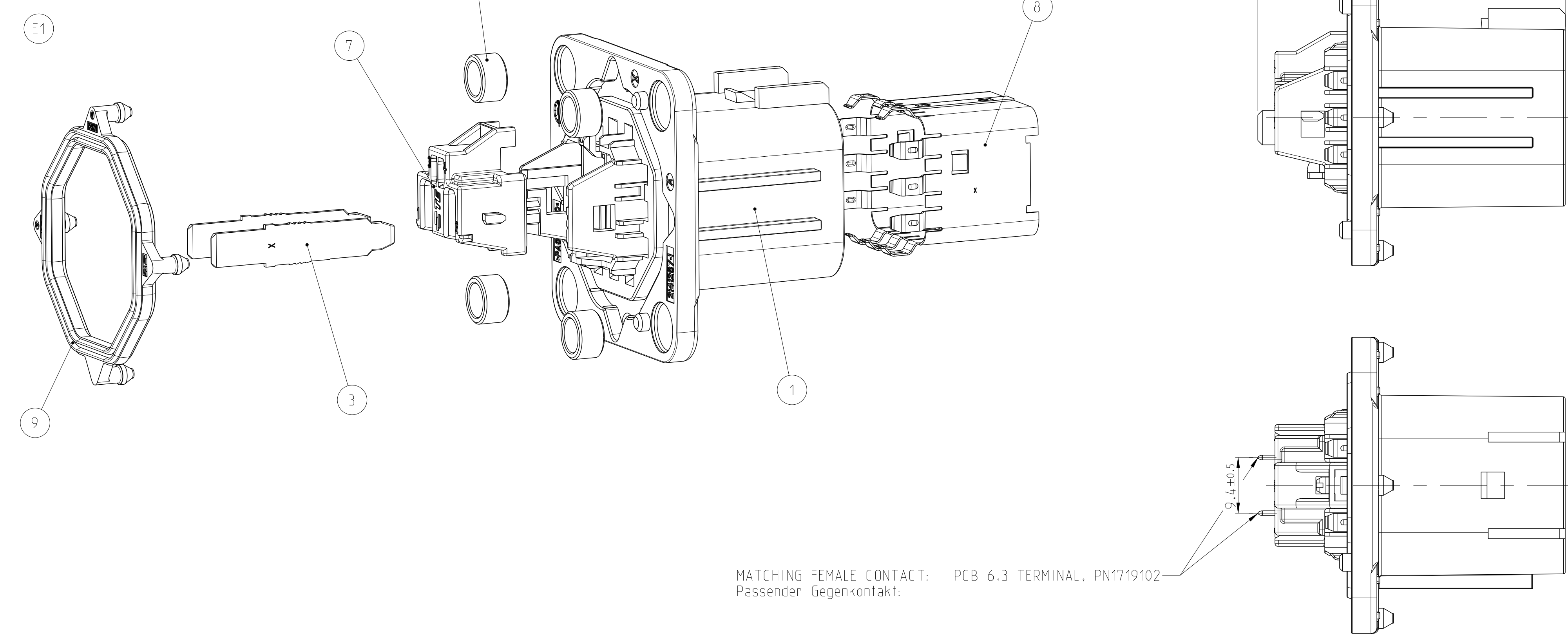
MATCHING FEMALE CONTACT: PCB 6.3 TERMINAL, PN1719102  
Passender Gegenkontakt:

VARIANT 1- -X  
Variante

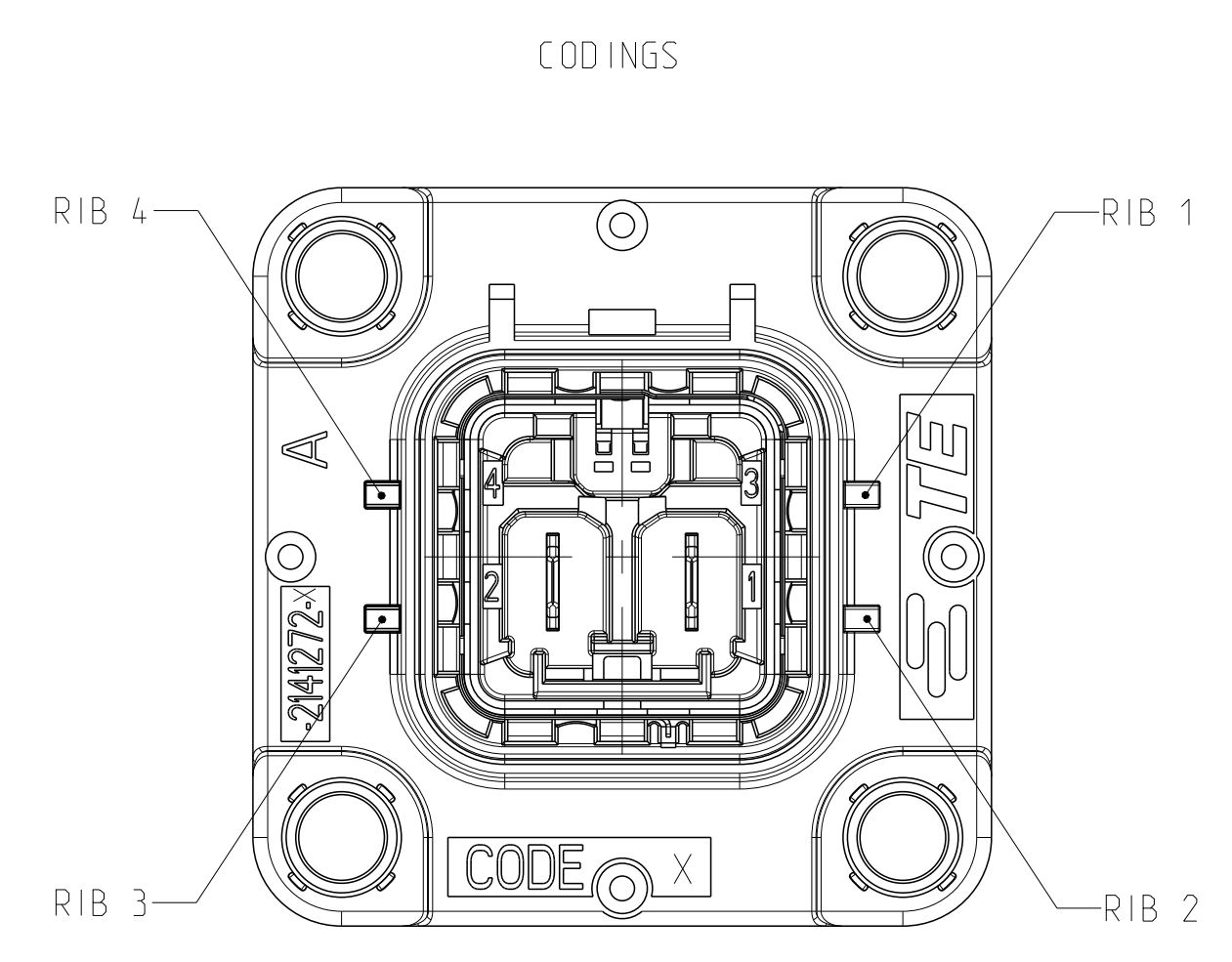


MATCHING FEMALE CONTACT: PCB 6.3 TERMINAL, PN1719102  
Passender Gegenkontakt:

VARIANT 0- -X  
Variante



MATCHING FEMALE CONTACT: PCB 6.3 TERMINAL, PN1719102  
Passender Gegenkontakt:



CODING	RIB 1	RIB 2	RIB 3	RIB 4
A	-	-	X	X
B	-	X	X	-
C	X	-	X	-
D	-	X	-	X
E	X	-	-	X
F	X	X	-	-

NOTES  
Bemerkungen

- THE GERMAN TEXT IS BINDING  
Der deutsche Text ist verbindlich
- PACKING: TRAY  
Verpackung: Tray
- SUITABLE INTERLOCK-CONTACTS: 1418760-3; 5-1418758-3; 2141864-3  
Passende Interlock-Kontakte: 1418760-3; 5-1418758-3; 2141864-3
- SUBJECT TO TECHNICAL CHANGES  
TE DOESN'T COMPENSATE FOR FOLLOW-UP-COSTS DUE TO TECHNICAL CHANGES  
Technische Änderungen vorbehalten  
TE kommt nicht fuer Folgekosten durch Aenderungen auf
- UNVERIFIED TAB GEOMETRY, APPLICATION AND VERIFICATION  
IN CUSTOMERS RESPONSIBILITY  
Unverifizierte Tabanschlussgemetrie, Anwendung und Verifikation  
im Verantwortungsbereich des Kunden
- CODINGS SEE INTERFACE DRAWINGS  
114-94036 AND 114-94037  
Kodierungen siehe Schnittstellenzeichnungen  
114-94036 und 114-94037

SPECIFICATIONS  
Spezifikationen

DESCRIPTION	ITEM
MATING CONNECTOR: 2POS. HV. REC HSG. ASSY Gegenstecker: 2pol. HV. Steckergehaeuse, Zusammenbau	114-94100-1
INTERFACE DRAWING 2POS. HV. 90/180DEG Schnittstellenzeichnung 2pol. HV. 90/180Grad	114-94036
INTERFACE DRAWING, ADAPTER PLATE, 2POS HV90/180DEG-CATEGORY 1 Ausfuhrungsvorschrift, Aufnahmeplatte, 2pol. HV90°/180°-Kategorie 1	114-94037
PRODUCT-SPEC. Produktspezifikation	108-94264
APPLICATION-SPEC. Verarbeitungsspezifikation	114-94100

LOC	QTY	DESCRIPTION - ASSY	WEIGHT (g)	TE ORDER-NO.	REV	QTY	DESCRIPTION - PART	MATERIAL	SURFACE	ITEM
F	2	POS 180DEG TAB HEADER ASSY HV CONNECTOR	45	2-2141272-6	A	1	AXIAL SEAL	SILICONE	BROWN	9
						1	EMC SHIELD	CuNiSi	Ni/Ag	8
						1	SECONDARY LOCK	PA66GF30	BLACK	7
						2	TAB 6.3x5.8x0.8mm	CuSn	Ni/Ag	6
A	2	POS 180DEG TAB HEADER ASSY HV CONNECTOR	45	2-2141272-1	A	1	AXIAL SEAL	SILICONE	BLACK	9
						1	EMC SHIELD	CuNiSi	Ni/Ag	8
						1	SECONDARY LOCK	PA66GF30	BLACK	7
						2	TAB 6.3x5.8x0.8mm	CuSn	Ni/Ag	6
F	2	POS 180DEG TAB HEADER ASSY HV CONNECTOR	47	1-2141272-6	A	1	AXIAL SEAL	SILICONE	BROWN	9
						1	EMC SHIELD	CuNiSi	Ni/Ag	8
						1	SECONDARY LOCK	PA66GF30	BLACK	7
						1	TAB 6.3x0.8, RIGHT BENDED TERMINAL	CuSn	Ni/Ag	5
A	2	POS 180DEG TAB HEADER ASSY HV CONNECTOR	47	1-2141272-1	A	1	TAB 6.3x0.8, LEFT BENDED TERMINAL	CuSn	Ni/Ag	4
						4	SLEEVE	CuZn	Ni	2
						1	2POS. MIXED. HEADER HSG 180 DEG	PA66GF30	ORANGE	1
						1	AXIAL SEAL	SILICONE	BROWN	9
F	2	POS 180DEG TAB HEADER ASSY HV CONNECTOR	46	2141272-6	A	1	EMC SHIELD	CuNiSi	Ni/Ag	8
						1	SECONDARY LOCK	PA66GF30	BLACK	7
						2	TAB 6.3x5.8x0.8mm	CuSn	Ni/Ag	3
						4	SLEEVE	CuZn	Ni	2
A	2	POS 180DEG TAB HEADER ASSY HV CONNECTOR	46	2141272-1	A	1	2POS. MIXED. HEADER HSG 180 DEG	PA66GF30	ORANGE	1
						1	AXIAL SEAL	SILICONE	BLACK	9
						1	EMC SHIELD	CuNiSi	Ni/Ag	8
						1	SECONDARY LOCK	PA66GF30	BLACK	7
F	2	POS 180DEG TAB HEADER ASSY HV CONNECTOR	46	2141272-1	A	1	TAB 6.3x0.8, RIGHT BENDED TERMINAL	CuSn	Ni/Ag	3
						4	SLEEVE	CuZn	Ni	2
						1	2POS. MIXED. HEADER HSG 180 DEG	PA66GF30	ORANGE	1
						1	AXIAL SEAL	SILICONE	BROWN	9
A	2	POS 180DEG TAB HEADER ASSY HV CONNECTOR	46	2141272-1	A	1	EMC SHIELD	CuNiSi	Ni/Ag	8
						1	SECONDARY LOCK	PA66GF30	BLACK	7
						2	TAB 6.3x5.8x0.8mm	CuSn	Ni/Ag	3
						4	SLEEVE	CuZn	Ni	2
F	2	POS 180DEG TAB HEADER ASSY HV CONNECTOR	46	2141272-1	A	1	2POS. MIXED. HEADER HSG 180 DEG	PA66GF30	ORANGE	1
						1	AXIAL SEAL	SILICONE	BROWN	9
						1	EMC SHIELD	CuNiSi	Ni/Ag	8
						1	SECONDARY LOCK	PA66GF30	BLACK	7
A	2	POS 180DEG TAB HEADER ASSY HV CONNECTOR	46	2141272-1	A	1	TAB 6.3x0.8, LEFT BENDED TERMINAL	CuSn	Ni/Ag	4
						4	SLEEVE	CuZn	Ni	2
						1	2POS. MIXED. HEADER HSG 180 DEG	PA66GF30	ORANGE	1
						1	AXIAL SEAL	SILICONE	BROWN	9

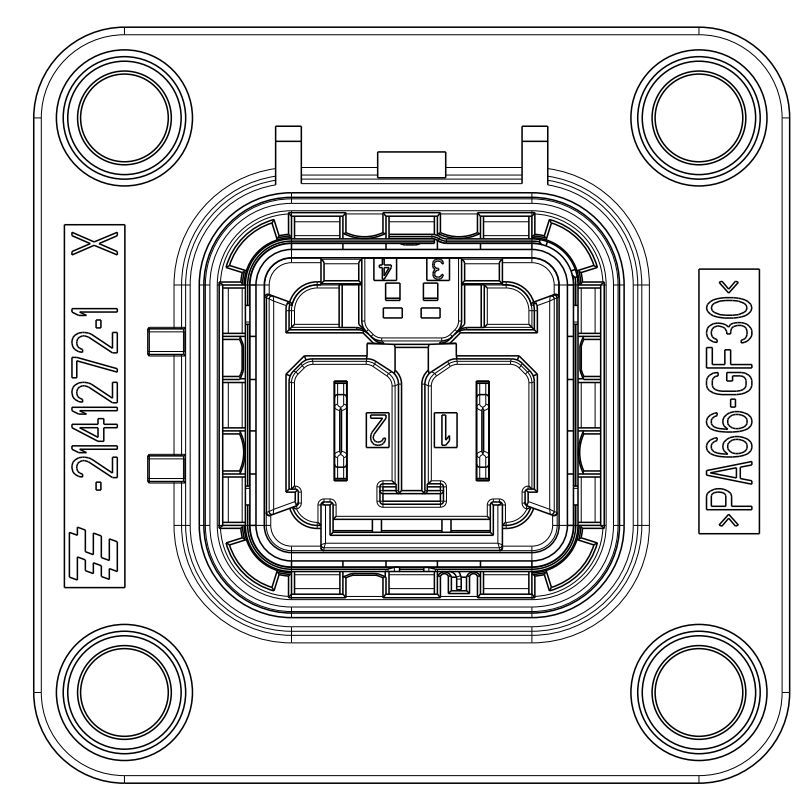
THIS DRAWING IS A CONTROLLED DOCUMENT. DIMENSIONING AND TOLERANCING PER GPS 1550 STANDARDS. DATE: 08FEB2011. DESIGNED BY: Vishwa A. CH. UH. CHECKED BY: U. Hoedinger. UH. DRAWING NO.: 28APR2011. PRODUCT SPEC.: 02MAY2011. APPLICATION SPEC.: SEE TABLE. WEIGHT: SEE TABLE. FINISH: SEE TABLE. CUSTOMER DRAWING.

STE TE Connectivity

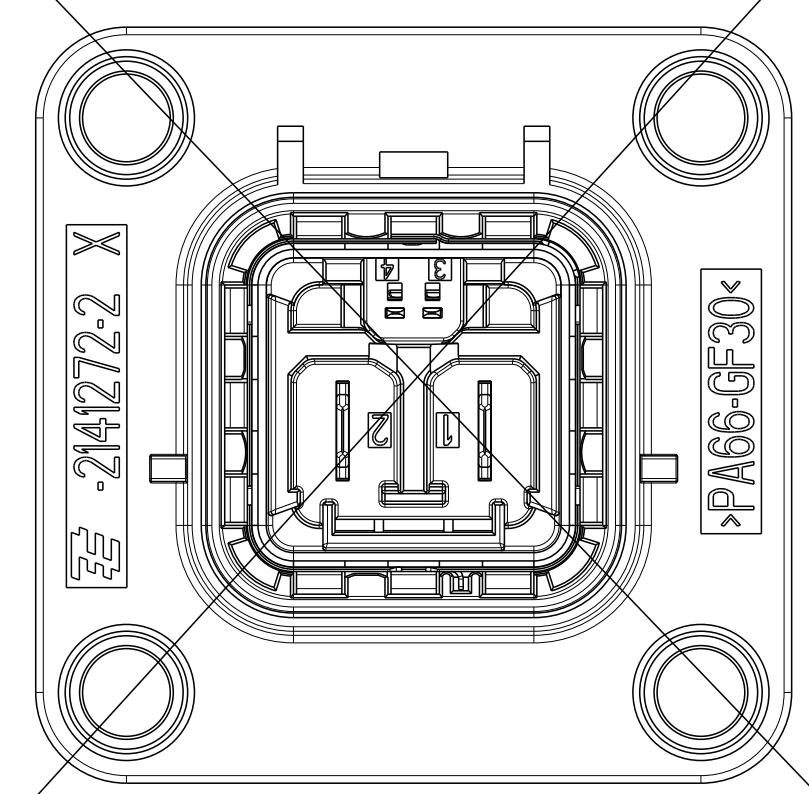
2 POS 180DEG TAB HEADER ASSY HV CONNECTOR

SCALE: 2:1 SHEET 1 OF 2 REV: 1

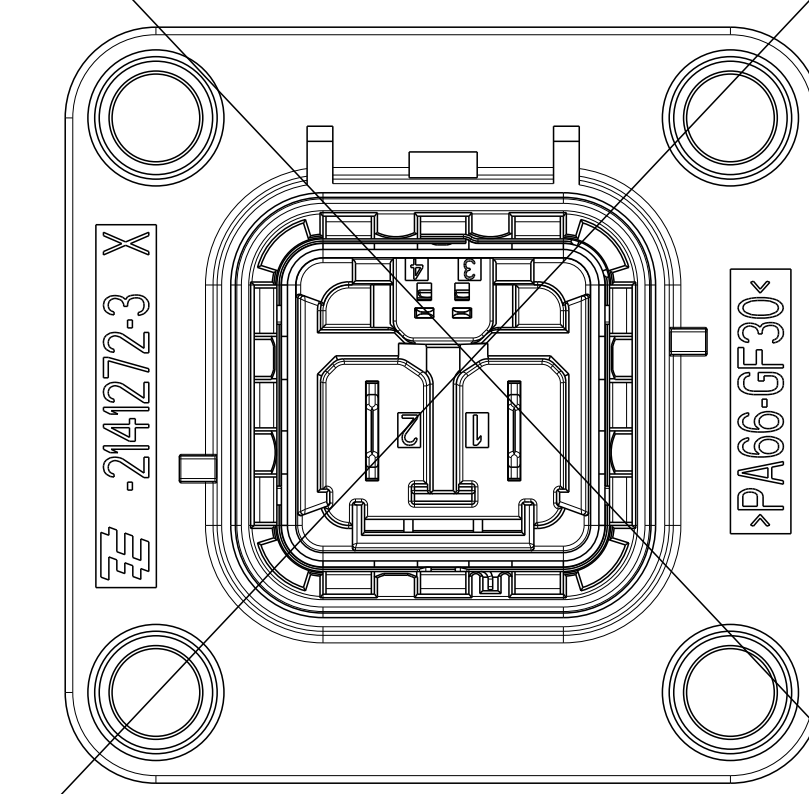
REV.	DATE	BY	APPV.	DESCRIPTION
1				REVISIONS
2				DESCRIPTION
3				REVISIONS
4				DESCRIPTION
5				REVISIONS
6				DESCRIPTION



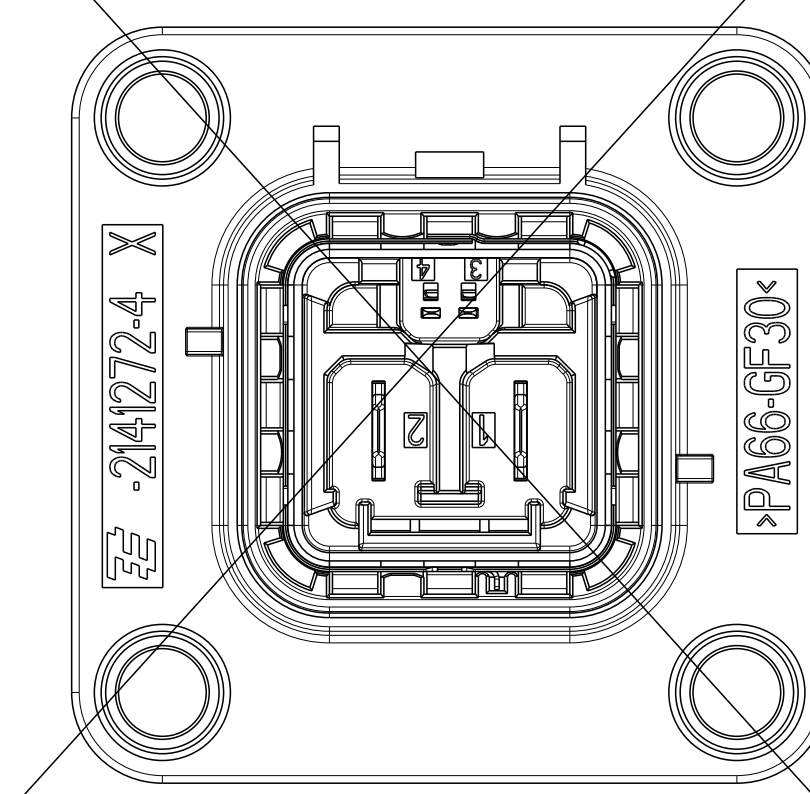
CODE A



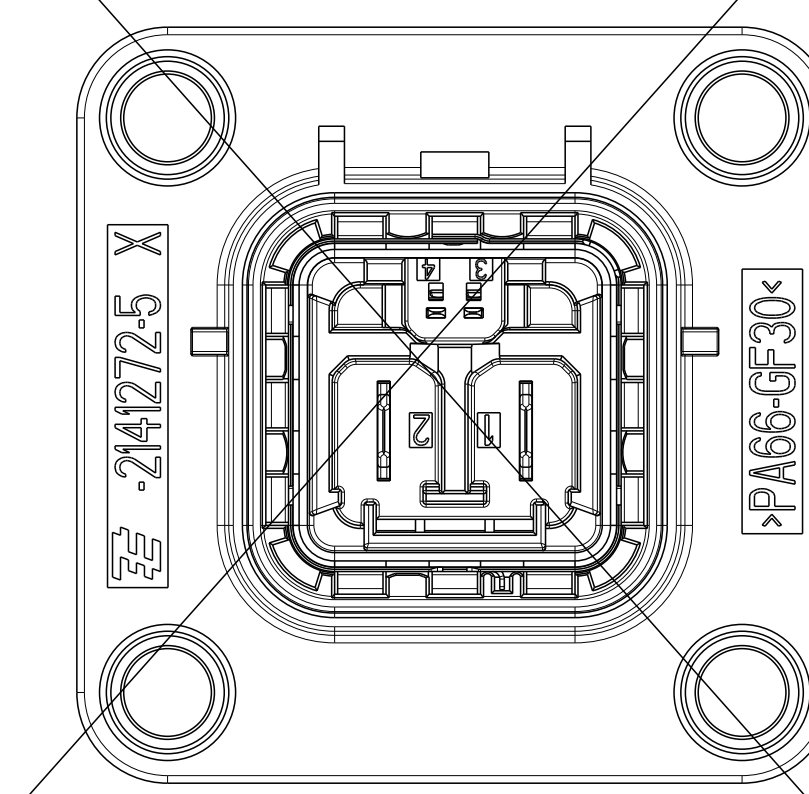
CODE B



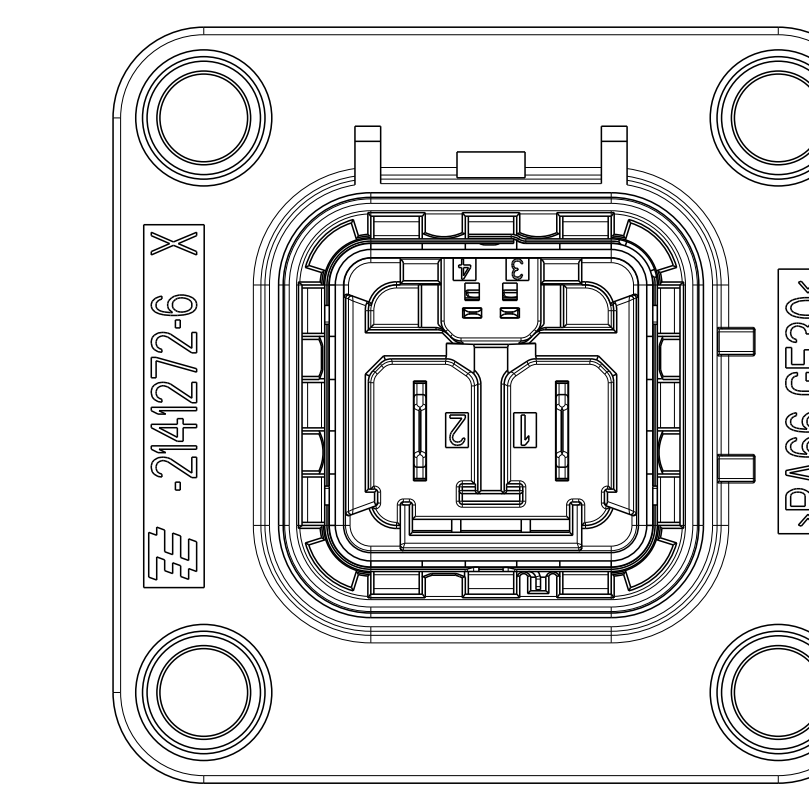
CODE C



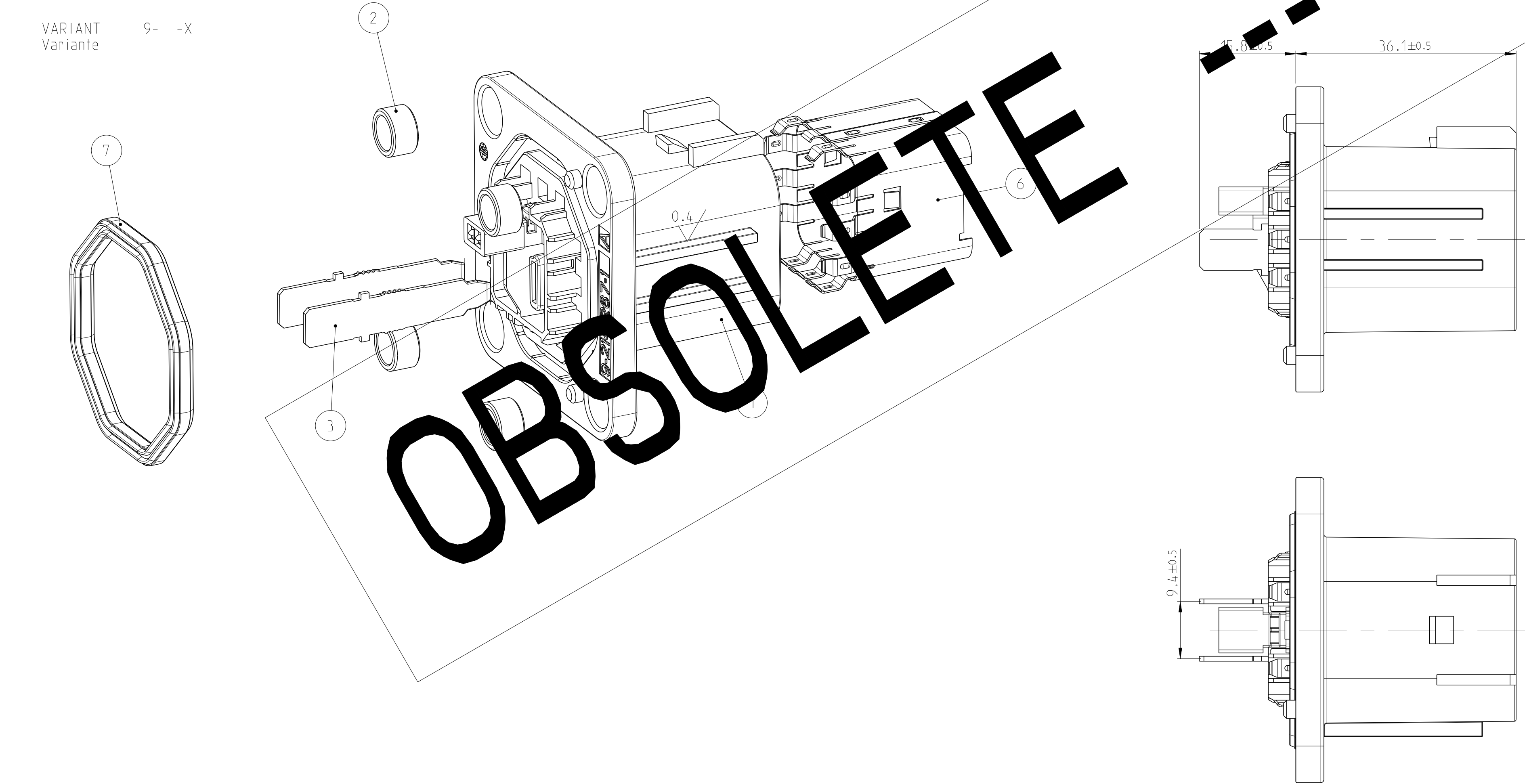
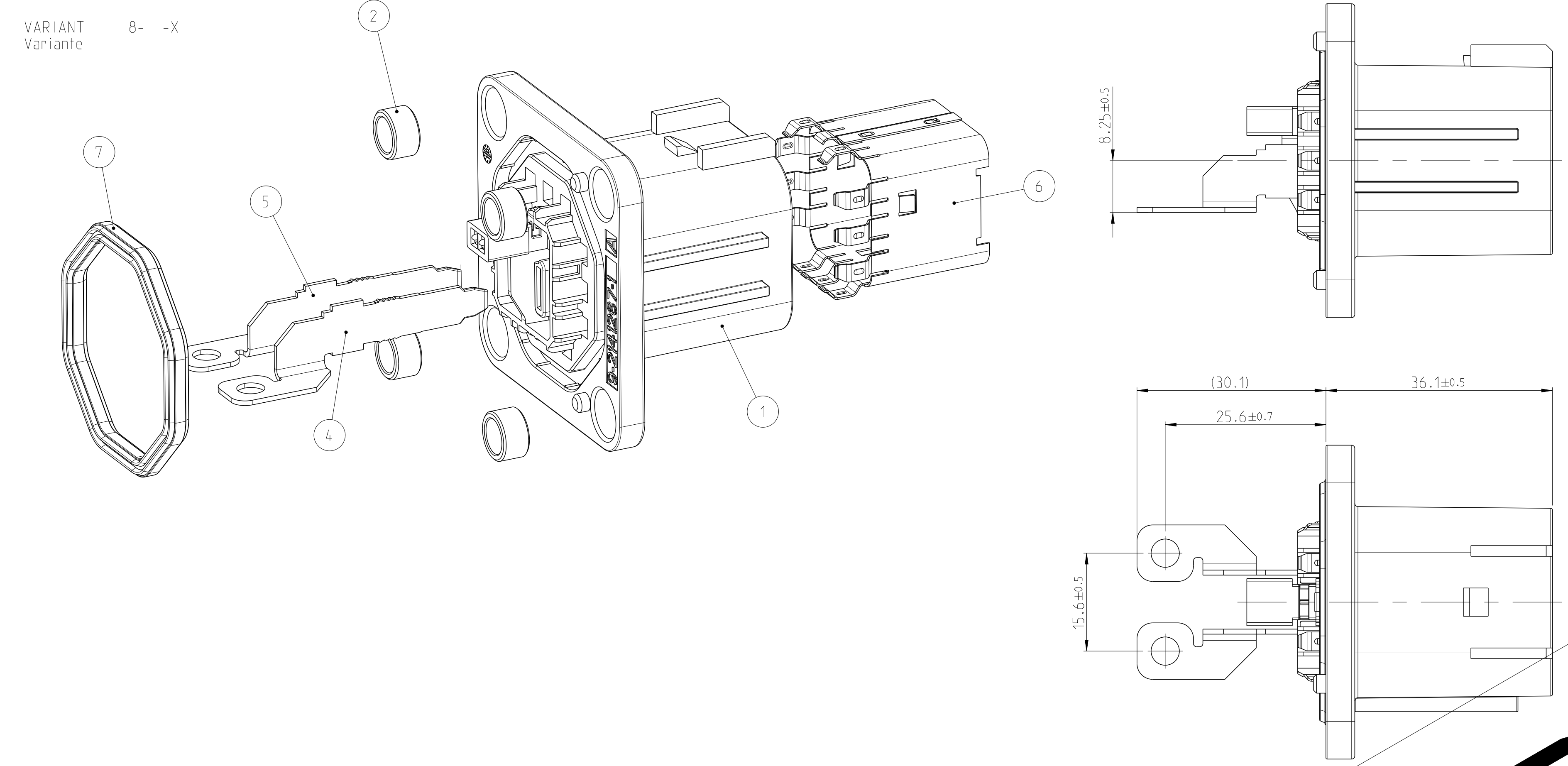
CODE D



CODE E



CODE F



**OBSELETE**

NOTES  
Bemerkungen

- THE GERMAN TEXT IS BINDING  
Der deutsche Text ist verbindlich
- LAYER PACKING WITH CORRUGATED LAYER PAD AND PAPER CUSHION INTO CORRUGATED SHIPPING BOX  
Lagenweise Verpackung mit Wellpappeinlagen und Papierpolstern in Versandkarton
- MISSING DATAS ACCORDING TO TE-DRAWING NO.: 114-94036  
Fehlende Angaben gemäß TE-Zeichnung Nr.: 114-94036
- SUITABLE INTERLOCK-CONTACTS: 1418760-3  
SUITABLE 2. LOCK FOR INTERLOCK-CONTACTS: TE-DRAWING NO 2141145  
Passende Interlock-Kontakte: 1418760-3  
Passende 2. Kontaktsicherung für Interlock-Anschluss: TE-drawing-nummer 2141145
- SUBJECT TO TECHNICAL CHANGES  
TE DOESN'T COMPENSATE FOR FOLLOW-UP-COSTS DUE TO TECHNICAL CHANGES  
Technische Änderungen vorbehalten  
TE kommt nicht fuer Folgekosten durch Änderungen auf
- UNVERIFIED TAB GEOMETRY, APPLICATION AND VERIFICATION IN CUSTOMERS RESPONSIBILITY  
Unverifizierte Tabanschlussgeometrie, Anwendung und Verifikation im Verantwortungsbereich des Kunden

SPECIFICATIONS Spezifikationen	
MATING CONNECTOR: 2POS. HV. REC HSG. ASSY Gegenstecker: 2pol. HV. Steckergehäuse, Zusammenbau	114-94100-1
INTERFACE DRAWING: ADAPTER PLATE. 2POS HV90/180DEG-CATEGORY 1 Ausführungsvorschrift, Aufnahmeplatte, 2pol HV90°/180°-Kategorie 1	114-94037
PRODUCT-SPEC. Produktspezifikation	108-94264
APPLICATION-SPEC. Verarbeitungsspezifikation	114-94100

COD.	DESCRIPTION - ASSY	WEIGHT (g)	TE ORDER-NO.	REV	QTY	DESCRIPTION - PART	MATERIAL	SURFACE	ITEM
F	2 POS 180DEG TAB HEADER ASSY HV CONNECTOR	40	9-2141272-6	B	1	AXIAL SEAL	SILICONE	NATURAL	7
					1	EMC SHIELD	CuNiSi	Ni/Ag	6
					2	TAB 6.3x5.8x0.8mm	CuSn	Ni/Ag	3
					4	SLEEVE	CuZn	Ni	2
A	2 POS 180DEG TAB HEADER ASSY HV CONNECTOR	40	9-2141272-1	B	1	AXIAL SEAL	SILICONE	NATURAL	7
					1	EMC SHIELD	CuNiSi	Ni/Ag	6
					2	TAB 6.3x5.8x0.8mm	CuSn	Ni/Ag	3
					4	SLEEVE	CuZn	Ni	2
F	2 POS 180DEG TAB HEADER ASSY HV CONNECTOR	40	8-2141272-6	B	1	AXIAL SEAL	SILICONE	NATURAL	7
					1	EMC SHIELD	CuNiSi	Ni/Ag	6
					1	TAB 6.3x0.8. RIGHT BENDED TERMINAL	CuSn	Ni/Ag	5
					1	TAB 6.3x0.8. LEFT BENDED TERMINAL	CuSn	Ni/Ag	4
					4	SLEEVE	CuZn	Ni	2
A	2 POS 180DEG TAB HEADER ASSY HV CONNECTOR	40	8-2141272-1	B	1	AXIAL SEAL	SILICONE	NATURAL	7
					1	EMC SHIELD	CuNiSi	Ni/Ag	6
					1	TAB 6.3x0.8. RIGHT BENDED TERMINAL	CuSn	Ni/Ag	5
					1	TAB 6.3x0.8. LEFT BENDED TERMINAL	CuSn	Ni/Ag	4
					4	SLEEVE	CuZn	Ni	2
					1	2POS. MIXED. HEADER HSG 180 DEG	PA66GF30	ORANGE	1

THIS DRAWING IS A CONTROLLED DOCUMENT.  
 DIMENSIONING AND TOLERANCING PER GPS ISO STANDARDS.  
**STE** TE Connectivity  
 2 POS 180DEG TAB HEADER ASSY HV CONNECTOR  
 A0 00779 ©=2141272  
 CUSTOMER DRAWING