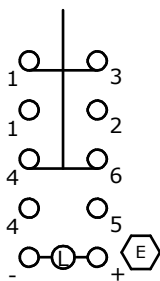
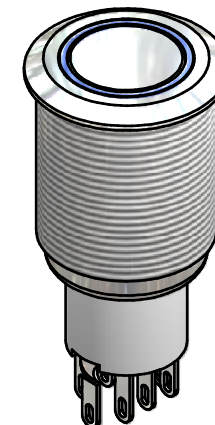
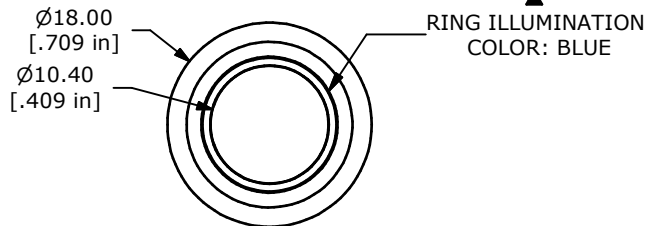


PANEL CUTOUT
MAX. PANEL THICKNESS
14.0mm [.551]

SWITCH FUNCTION	
POS. 1	POS. 2
ON	(ON)
1-3, 4-6	1-2, 4-5

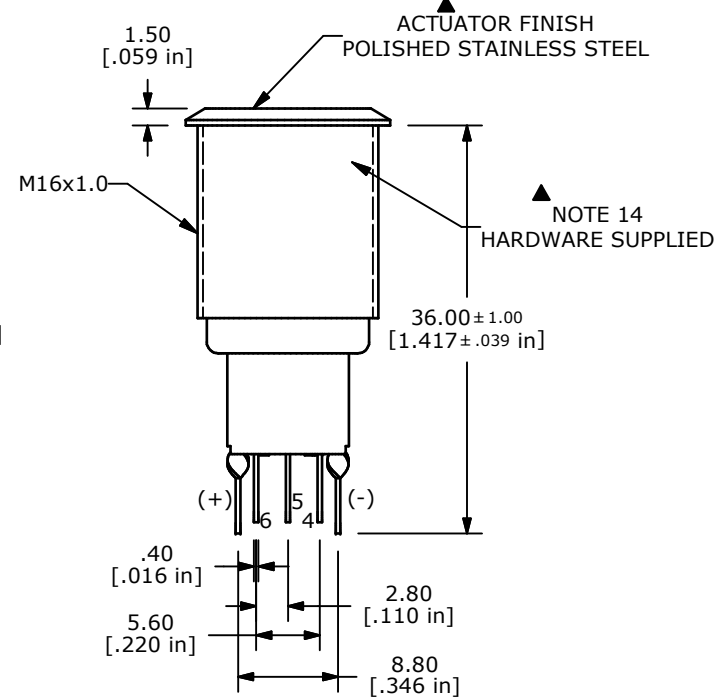
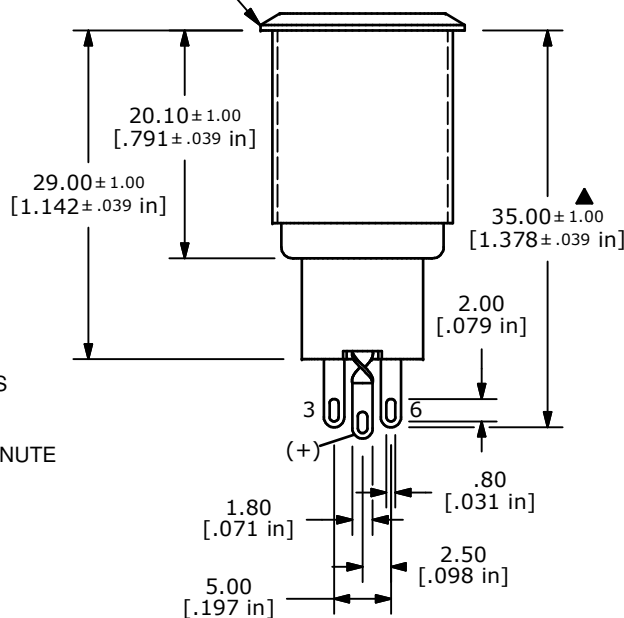
(ON) = MOMENTARY



DPDT
CONTACT CONFIGURATION

- NOTE:
1. ALL DIMENSIONS IN MM [INCH]
 2. GENERAL TOLERANCE: X.X=±0.4
X.XX=±0.25
 3. TERMINAL NUMBERS FOR REF ONLY
 - ▲ 4. CONTACT MATERIAL: SILVER
 5. RATING: 2A 48VDC
 6. ELECTRIC LIFE: 50,000 MAKE-AND-BREAK CYCLES AT FULL LOAD.
 7. INSULATION RESISTANCE: 1,000 MΩ MIN.
 8. DIELECTRIC STRENGTH: 2,000 VAC MIN. FOR 1 MINUTE
 9. CONTACT RESISTANCE: 50mΩ MAX. @ 1A 12VDC
 10. OPERATING TEMP.: -20°C to 55°C
 11. ▲ DENOTES CRITICAL PARAMETER.
 12. LAMP VOLTAGE: 20mA, 24V
 - ▲ 13. ILLUMINATION COLOR: BLUE
 14. HARDWARE SUPPLIED: O-RING AND HEXNUT
 - ▲ 15. INGRESS RATING: IP67
 16. 2002/95/EC (ROHS) COMPLIANT

▲ BODY FINISH
POLISHED STAINLESS STEEL



B	20595	CHG LAMP VOLTAGE 24V WAS 2.8V	05/08/12	drg
A	20512	New Release	3/7/2012	MM
REV	PCR NO	DESCRIPTION	DATE	BY

TITLE PV3WF2H0SS-345				
SCALE 1.5:1	DATE 3/7/2012	DR BMA	DWG 52-PV3WF2H0SS345	REV B

THE INFORMATION CONTAINED IN THIS DOCUMENT IS PROPRIETARY TO E-SWITCH AND IS NOT TO BE COPIED OR TRANSFERRED