

# INSTALLATION INSTRUCTIONS HORIZONTAL CABLE MANAGER



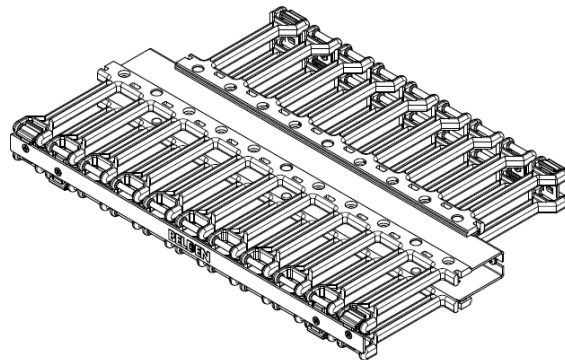
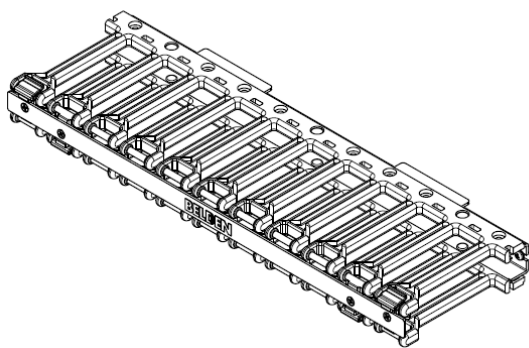
For your safety, upon receipt of your Horizontal Cable Manager, read this instruction sheet carefully before starting any installation and assembly.



## CAUTION:

This Horizontal Cable Manager must be anchored securely to the Enclosure EIA rails. Anchoring should be performed by qualified personnel.

Instructions for the following Horizontal Cable Managers:



BHH191  
BHH192  
BHH193  
BHH194  
BHH231  
BHH232  
BHH233  
BHH234

BHH191UFR  
BHH192UFR  
BHH193UFR  
BHH194UFR

**BELDEN**  
SENDING ALL THE RIGHT SIGNALS

# INSTALLATION INSTRUCTIONS HORIZONTAL CABLE MANAGER

This page intentionally left blank

# INSTALLATION INSTRUCTIONS HORIZONTAL CABLE MANAGER

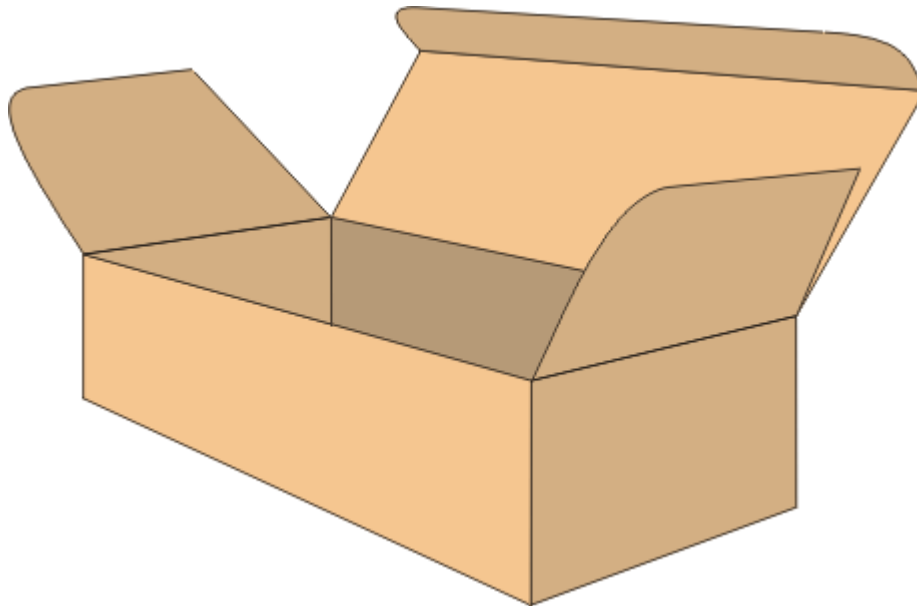


**Before Un-packaging your Horizontal Cable Manager read below.**

The Horizontal Cable Manager is shipped assembled and boxed in one package. An installation hardware package is provided in order to install the unit.

Please make sure upon receipt of delivery that your packaging is in tact. Inspect the packaging for any noticeable damages. If there is damage, please notify the freight carrier immediately to file a damaged freight claim.

Once you have inspected the packaging for any damage; carefully remove the wrapping check all items received against the Components Parts List and the Installation Hardware List for your specified rack Part Number.



**Before you begin, compare the packaged components received with the components list below to make sure all parts shown are included.**

# INSTALLATION INSTRUCTIONS HORIZONTAL CABLE MANAGER

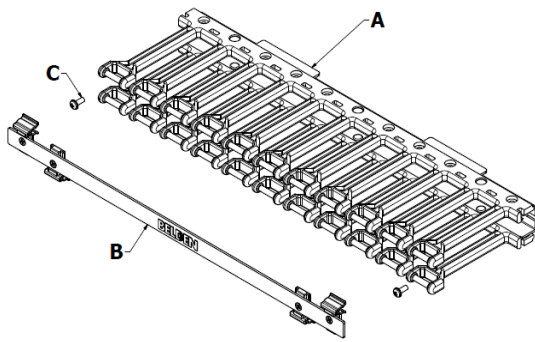
## Components Parts List

### BHH1 & BHH2 MANAGERS

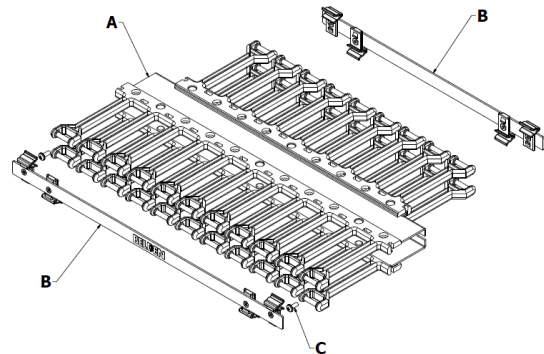
Item Reference	Description	Qty
A	Finger Bracket Assembly	1
B	Door	1
C	Installation Hardware	See Below

### BHH1XXUFR MANAGERS

Item Reference	Description	Qty
A	Finger Bracket Assembly	1
B	Door	2
C	Installation Hardware	See Below



**BHH1 & BHH2 STYLE**



**BHH1XXUFR STYLE**

## Installation Hardware List

### BHH191/BHH231/BHH191UFR MANAGERS

Part	Qty	Description	EIA Rail Application
91265	2	10-32 x 1/2" Self-Threading Screw	10-32 Tapped
91266	2	12-24 x 1/2" Self-Threading Screw	12-24 Tapped
91380	2	10-32 x 5/8 Machine Screw	Square Hole
94148	2	12-24 SQ Hole Cage Nut	
93125	2	12-24 Lock Washer	

### ALL OTHER BHH MANAGERS

Part	Qty	Description	EIA Rail Application
91265	4	10-32 x 1/2" Self-Threading Screw	10-32 Tapped
91266	4	12-24 x 1/2" Self-Threading Screw	12-24 Tapped
91380	4	10-32 x 5/8 Machine Screw	Square Hole
94148	4	12-24 SQ Hole Cage Nut	
93125	4	12-24 Lock Washer	

# INSTALLATION INSTRUCTIONS

## HORIZONTAL CABLE MANAGER

### BHH Installation Instructions

You are now ready to install your Horizontal Cable Manager.

The following tools are required to complete this assembly:

- Phillips Screwdriver

**NOTE:** The Horizontal Cable Manager attaches to the EIA rails.

The following Installation steps are to be followed when installing BHH1XXUFR Horizontal Cable Manager.

Step 1 - Select the RU location in which the manager is to be mounted and loosely attach one side of the rack using the correct hardware for the EIA rail mounting configurations. Loosely attach the second side of the rack to the opposing EIA rail making sure that hole selection is symmetric on both rails (see Figure 1). Tighten all previously installed hardware.

**NOTE:** You have now assembled the Horizontal Cable Manager to your rack.

## You can now install your cable.

Step 2 – Once cable installation is complete, install Cable Manager Door (see Figure 1).

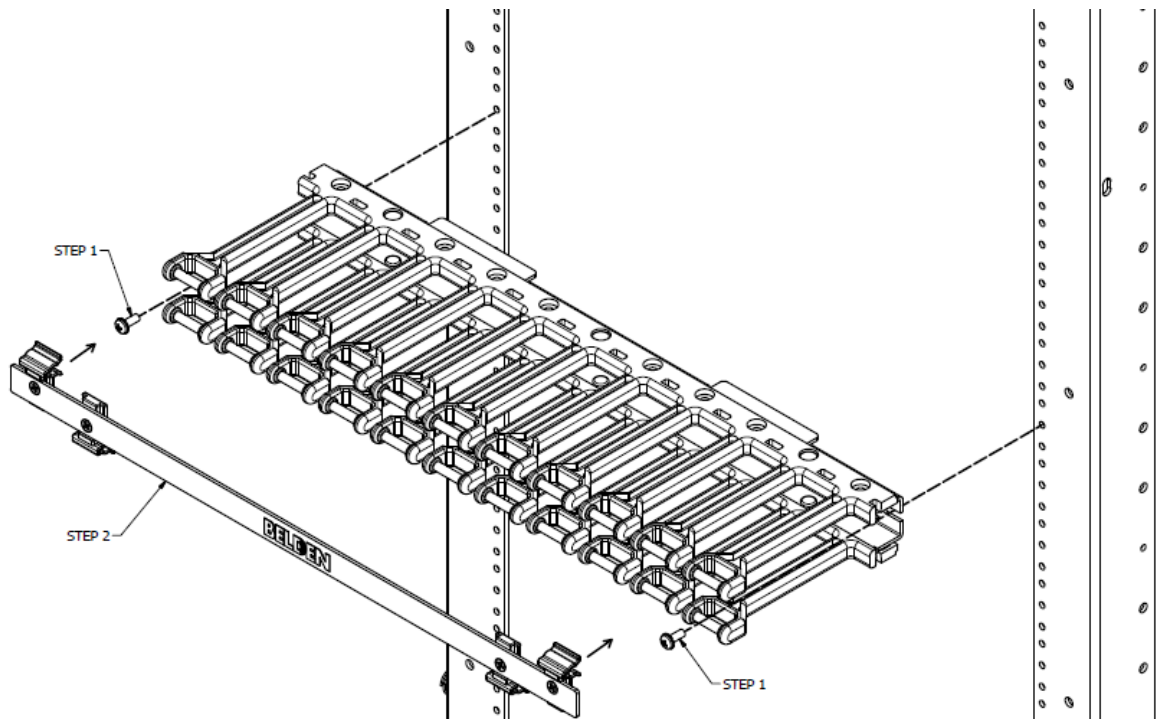


Figure 1