

| ATLANTIC VERSION TERMINATOR INTERFACE ADAPTER | PART NUMBER | REVISION | DESCRIPTION | FEED TYPE | APPLICATOR STYLE CONVERSION CHART | | | | | | |
|---|-------------|-------------------|--------------------------|--------------------------------|-----------------------------------|-----------------------|-----------|-------------|-----------|-----------|------------------------|
| | | | | | CONVERT TO | PART NUMBERS REQUIRED | | | | | |
| | | | | | | | | | | | |
| | 2266352-1 | A | FINE CRIMP HEIGHT ADJUST | MECHANICAL | PNEUMATIC FEED | 2119950-1 | 1338683-8 | 5-18022-5 | 2119641-1 | 2119799-1 | 2063440-1 |
| | | | | | SERVO LATCH PLATE | 2119951-1 | - | 8-2266352-5 | 1901094-3 | - | 2168400-6 (QUANTITY 2) |
| | | | | | SMART APPLICATOR | 2161326-1 | - | 8-2266352-4 | - | - | - |
| | 2266352-2 | A | FINE CRIMP HEIGHT ADJUST | PNEUMATIC | MECHANICAL FEED | 2119949-1 | 1338683-8 | 5-18022-5 | 2119653-1 | - | - |
| | | | | | SERVO LATCH PLATE | 2119951-1 | - | 8-2266352-5 | 1901094-3 | - | 2168400-6 (QUANTITY 2) |
| | | | | | SMART APPLICATOR | 2161326-1 | - | 8-2266352-4 | - | - | - |
| | 2266352-5 | A | FINE CRIMP HEIGHT ADJUST | SERVO LATCH PLATE ⁴ | MECHANICAL FEED | 2119949-1 | 1338683-8 | 5-18022-5 | 2119653-1 | - | - |
| | | | | | PNEUMATIC FEED | 2119950-1 | 1338683-8 | 5-18022-5 | 2119641-1 | 2119799-1 | 2063440-1 |
| | | | | | - | - | - | - | - | - | - |
| | 2266352-6 | A | NON-CRIMP HEIGHT ADJUST | SERVO LATCH PLATE ⁴ | - | - | - | - | - | - | - |
| | | | | | - | - | - | - | - | - | - |
| | 2266352-7 | A | FINE CRIMP HEIGHT ADJUST | NONE | - | - | - | - | - | - | - |
| 7-2266352-7 | A | CRIMP TOOLING KIT | - | - | - | - | - | - | - | - | |

| APPLICATOR DATA | | |
|-----------------|----------------|------|
| CRIMP | SIZE | TYPE |
| WIRE | 1.85 mm [.073] | F |
| INSUL | 4.01 mm [.158] | O |

APPLICATOR INSTRUCTIONS
408-10389

| TERMINAL DATA: DELPHI TERMINAL | DELPHI CRIMP SPECIFICATION |
|--|--|
| TERMINAL NAME: DS-TERMINAL WITH SLEEVE, SEALED, LONG | |
| WIRE STRIP LENGTH 4.20-4.97 mm [.166-.196 IN] | INSULATION DIAMETER RANGE 1.30-2.10 mm [.051-.083 IN] |
| TERMINAL APPLICATION SPECIFICATION | DELPHI CRIMP INFORMATION SHEET 15345060 Page 3 of 6 |

| TE TERMINAL | DELPHI TERMINAL | TE SEAL | DELPHI SEAL | CABLE DIAMETER |
|-------------|-----------------|-------------|-------------|----------------|
| 2113491-1 | 15345060 | 1949160-1 | 15327860 | Ø1.20-2.00 |
| | | 2113492-1 | 15339967 | Ø1.20-2.10 |
| | | 2113492-2 | 13735530 | Ø1.20-2.10 |
| | | 1572277-2 | 15324974 | Ø1.20-1.70 |
| | | 286867-5 | 15324976 | Ø1.60-2.15 |
| | | 1557393-1 | 15324976 | Ø1.60-2.15 |
| | | 2-1203514-0 | 15324976 | Ø1.60-2.15 |

| WIRE SIZE | CRIMP HEIGHT mm [INCH] | CRIMP HEIGHT REFERENCE SETTING |
|-----------|-------------------------------|--------------------------------|
| 1.00mm2 | 1.40 +/- 0.05 [.055 +/- .002] | 3.7 |
| 0.75mm2 | 1.30 +/- 0.05 [.051 +/- .002] | 4.9 |
| 0.50mm2 | 1.20 +/- 0.05 [.047 +/- .002] | 5.9 |

- 1 RECOMMENDED SPARE PARTS
- 2 GREASE BEARING SURFACES LIGHTLY
- 3. LUBRICATE DAILY PER THE APPLICATOR INSTRUCTION SHEET SUPPLIED WITH THE APPLICATOR.
- 4 APPLICATOR SPECIFIC DATA TO BE ENTERED INTO BLANK MEMORY CHIP AT ASSEMBLY. SEE BELOW FOR PART NUMBER:
 MECHANICAL FEED WITH "SMART APPLICATOR" CONVERSION: 8-2266352-4
 PNEUMATIC FEED WITH "SMART APPLICATOR" CONVERSION: 8-2266352-4
 SERVO FEED WITH "FINE CRIMP HEIGHT ADJUST": 8-2266352-5
 SERVO FEED WITH "NON-CRIMP HEIGHT ADJUST": 8-2266352-6
- 5. ADJUSTMENT OF THE STRIPPER MAY BE REQUIRED WHEN MOVING THE APPLICATOR BETWEEN BENCH AND LEADMAKER APPLICATIONS.
- 6 APPLY PART NUMBER 1-23419-5 LOCTITE TO THREADS OF ITEM 62. APPLY PART NUMBER 2-23419-6 LOCTITE TO THREADS OF ITEM 242. FOR -6 ONLY APPLY PART NUMBER 1-23419-5 LOCTITE TO THREADS OF ITEM 37.
- 7 GREASE THREADS, GROOVE AND O-RING ON ITEMS 35 & 252.
- 8 MAGNET, ITEM 166 MUST BE ORIENTED CORRECTLY IN ORDER TO PROPERLY ACTUATE THE COUNTER.
- 9 CRIMP HEIGHT REFERENCE SETTING WAS THE SETTING USED WHEN THE APPLICATOR WAS QUALIFIED AT THE FACTORY. ADJUSTMENT MAY BE NECESSARY WHEN RUNNING APPLICATOR IN THE FIELD.
- 10 SPARE FEED CAM STORAGE LOCATION REFER TO INSTRUCTION SHEET FOR ADDITIONAL INFORMATION.
- 11 TO CONVERT THE APPLICATOR TO A NON-CARRIER CUTTING STYLE, REMOVE ITEM 13 AND ATTACH TO THE LOCATION ON THE BACK SIDE OF THE HOUSING. REFER TO INSTRUCTION SHEET FOR ADDITIONAL INFORMATION.
- 12 WHEN ASSEMBLING A NON CRIMP HEIGHT ADJUST APPLICATOR (-6) USE SHIMS FROM ITEM 260 TO ACHIEVE A NOMINAL SHIM HEIGHT OF 4.40. THIS APPLICATOR APPLIES TERMINAL WITH A SEAL.
- 13 APPLY TORO-SEAL IN ALLEN SOCKET TO FILL HOLE AFTER FLAT HD HAS BEEN ADJUSTED TO CORRECT HEIGHT AT QUALIFICATION. APPLY #1-23419-5 LOC-TITE TO THREADS.

*WARNING
 ON INSTALLATION, SET WIRE DISC, ITEM 40 TO LARGEST WIRE SIZE SETTING. USE OF SETTINGS BELOW MINIMUM REQUIRED CRIMP HEIGHT SETTING WILL CAUSE DAMAGE TO CRIMP TOOLING.

| | | | | | | | | |
|-----|----|----|----|----|----|-----------|---------------------------------|---------|
| - | - | 1 | - | - | - | 2119957-2 | APPLICATOR SHIM PACK | 260 |
| - | 1 | - | 1 | 1 | 1 | 8-21084-0 | O-RING, .676 ID, .070 DIA. MAT. | 252 |
| -77 | -7 | -6 | -5 | -2 | -1 | PART NO | DESCRIPTION | ITEM NO |

ATLANTIC VERSION
 Shown on sheets 1 of 4 & 2 of 4
 (Pacific version shown on sheets 3 of 4 & 4 of 4)

| SET UP GAUGE | LOC | DIST | REVISIONS | | | |
|--------------|-----|------|-----------|----------|-----------|------|
| 2119599-1 | A | 66 | REV | DATE | BY | APPV |
| | | | A | RELEASED | 14AUG2014 | BH |

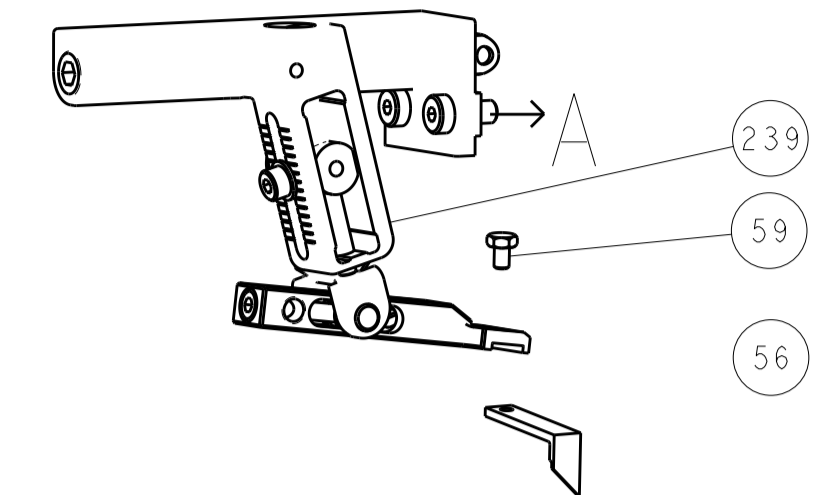
| | | | | | | | | |
|-----|-----|-----|-----|-----|-----|-------------|-------------------------------------|---------|
| - | - | - | - | 1 | - | 2119640-1 | PUSH ROD, AIR FEED | 250 |
| - | - | - | - | 1 | - | 2079988-1 | BUSHING, LCH5-12, MISUMI | 249 |
| - | - | - | - | 1 | - | 2119641-1 | FEED CAM, AIR FEED | 248 |
| - | 1 | - | 1 | 1 | 1 | 2119798-1 | DETENT PIN | 247 |
| - | 1 | - | 1 | 1 | 1 | 1-22279-3 | SPRING, COMPRESSION | 246 |
| - | - | 1 | - | - | - | 2119758-1 | RAM, AMP STYLE, SIDE FEED, NON-ADJ. | 245 |
| - | 1 | 1 | 1 | 1 | 1 | 2119082-2 | CAM, SNAIL, INSULATION ADJUSTMENT | 244 |
| - | 1 | 1 | 1 | 1 | 1 | 2079764-1 | WASHER, WAVE SPRING, CREST-TO-CREST | 243 |
| - | 1 | 1 | 1 | 1 | 1 | 2119083-1 | RETAINER, INSULATION DIAL | 242 |
| - | 1 | 1 | 1 | 1 | 1 | 7-18023-7 | SCR, SKT HD CAP M3 X 4.0 | 241 |
| - | - | 2 | 2 | - | - | 2168400-6 | SHCS, LOW HEAD, RoHS, M5 X 16 | 240 |
| - | - | - | - | - | 1 | 2119580-1 | MECHANICAL FEED ASSEMBLY | 239 |
| - | - | - | - | - | 1 | 2063440-1 | AIR FEED MODULE | 238 |
| - | - | 1 | 1 | - | - | 2119740-2 | TAG, IDENTIFICATION | 213 |
| - | - | 1 | 1 | - | - | 1901094-3 | SPACER, FEEDER | 198 |
| - | - | - | - | 2 | - | 21045-3 | RING, RETAIN, EXTERN, 3/16 CRESCENT | 172 |
| - | 1 | 1 | 1 | 1 | 1 | 994969-1 | MAGNET, RARE EARTH HIGH ENERGY | 166 |
| - | REF | REF | REF | REF | REF | 994970-2 | COUNTER, MAGNETIC | 164 |
| - | - | - | - | 1 | - | 240638-1 | SPRING, FEED FINGER | 163 |
| - | - | - | - | 1 | - | 3-23627-7 | PIN, RETAIN, GRVD, 3/16 X .854 | 137 |
| - | - | - | - | 1 | - | 2119799-1 | HOLDER, FEED FINGER, AF | 136 |
| - | - | REF | REF | - | - | SEE NOTE 4 | MEMORY CHIP, PROGRAMMED | 135 |
| - | - | 1 | 1 | - | - | 1633743-1 | SERVO FEED LATCH ASM | 133 |
| - | - | REF | REF | - | - | 2119944-1 | FEED FINGER ASSEMBLY,SF | 117 |
| - | 1 | 1 | 1 | 1 | 1 | 455888-5 | SPACER, CRIMPER | 82 |
| - | 1 | 1 | 1 | 1 | 1 | 2119956-1 | DOCUMENTATION PACKAGE | 71 |
| - | 1 | - | - | 1 | 1 | 2119740-1 | TAG, IDENTIFICATION | 67 |
| - | 2 | 2 | 2 | 2 | 2 | 2168078-1 | SCREW, DRIVE, RH, RoHS, 2 x .188 | 66 |
| - | 1 | - | 1 | 1 | 1 | 2119793-1 | LIMITER, ADJUSTMENT BOLT | 63 |
| - | 3 | - | 3 | 3 | 3 | 992763-5 | SCR, SET, SOC, CONE POINT, M3 x 4.0 | 62 |
| - | 1 | 1 | 1 | 1 | 1 | 2079383-4 | SCR, BHSC, RoHS (M4 X 8) | 60 |
| - | - | - | - | 1 | 1 | 5-18022-5 | SCR, HEX HD CAP, M4 X 6.0 | 59 |
| - | 1 | 1 | 1 | 1 | 1 | 985575-3 | SCR, FLT SKT HD CAP M3 X 10.0 | 57 |
| - | - | - | - | 1 | 1 | 1338683-8 | FEED PAWL | 56 |
| - | 4 | 4 | 4 | 4 | 4 | 2168400-1 | SHCS, LOW HEAD, RoHS, M4 X 12 | 54 |
| - | 2 | 2 | 2 | 2 | 2 | 2168083-3 | SCR, SKT HD CAP, RoHS, M4 X 12.0 | 53 |
| - | 1 | 1 | 1 | 1 | 1 | 5018030-1 | NUT, HEX, REG, RoHS, M3 | 52 |
| - | 1 | 1 | 1 | 1 | 1 | 811242-5 | BUMPER, HOLD DOWN | 51 |
| - | 1 | 1 | 1 | 1 | 1 | 690753-2 | SPACER, TONKER | 50 |
| - | - | - | - | 1 | 2 | 18023-9 | SCR, SKT HD CAP M4 X 6.0 | 49 |
| - | - | - | - | - | 1 | 2119652-1 | FEED CAM, PRE FEED | 48 |
| - | - | - | - | - | 1 | 2119653-1 | FEED CAM, POST FEED | 47 |
| - | 1 | 1 | 1 | 1 | 1 | 2119656-9 | APPLICATOR BASIC ASSEMBLY, SF | 46 |
| - | 1 | - | 1 | 1 | 1 | 2119370-1 | RAM, AMP STYLE, SIDE FEED | 44 |
| - | 1 | 1 | 1 | 1 | 1 | 2079383-7 | SCR, BHSC, RoHS (M8 X 25) | 41 |
| - | 1 | - | 1 | 1 | 1 | 2119645-1 | DISC, NUMBERED FA WIRE ADJUSTMENT | 40 |
| - | 1 | - | 1 | 1 | 1 | 2119957-1 | APPLICATOR SHIM PACK | 39 |
| - | 1 | 1 | 1 | 1 | 1 | 2119644-1 | RAM WASHER, PRECISION | 38 |
| - | 1 | 1 | 1 | 1 | 1 | 2119085-1 | FA HEAD, ATLANTIC STYLE | 37 |
| - | 1 | - | 1 | 1 | 1 | 2119092-1 | BOLT, ADJUSTMENT | 35 |
| - | 1 | 1 | 1 | 1 | 1 | 3-1752356-3 | SUPPORT, TERMINAL | 34 |
| - | 2 | 2 | 2 | 2 | 2 | 2079383-5 | SCR, BHSC, RoHS (M4 X 20) | 33 |
| - | 1 | 1 | 1 | 1 | 1 | 2161328-1 | HEX HEAD, FLANGED, M5 x 8mm LONG | 32 |
| - | 1 | 1 | 1 | 1 | 1 | 1-1320908-2 | SPACER, STRIP GUIDE | 30 |
| - | 1 | 1 | 1 | 1 | 1 | 2119959-1 | ASSEMBLY, STRIP GUIDE | 29 |
| - | 1 | 1 | 1 | 1 | 1 | 455888-3 | SPACER, CRIMPER | 28 |
| - | 1 | 1 | 1 | 1 | 1 | 1320928-2 | STRIP GUIDE | 24 |
| - | 1 | 1 | 1 | 1 | 1 | 2168083-2 | SCR, SKT HD CAP, RoHS, M4 X 8.0 | 21 |
| - | 2 | 2 | 2 | 2 | 2 | 1-18028-2 | WASHER, FLAT, REG M4 | 20 |
| - | 1 | 1 | 1 | 1 | 1 | 2119533-1 | STRIPPER, SIDE FEED | 19 |
| - | 1 | 1 | 1 | 1 | 1 | 2119806-1 | INSERT, SHEAR | 13 |
| - | 1 | 1 | 1 | 1 | 1 | 3-22280-3 | SPRING, COMPRESSION | 12 |
| - | 1 | 1 | 1 | 1 | 1 | 1-356885-3 | STOP, SHEAR | 11 |
| - | 1 | 1 | 1 | 1 | 1 | 2119805-1 | SHEAR HOLDER, FRONT | 10 |
| - | 1 | 1 | 1 | 1 | 1 | 318707-1 | FLOATING SHEAR, FRONT | 9 |
| - | 1 | 1 | 1 | 1 | 1 | 9-1633927-2 | ANVIL, COMBINATION | 8 |
| - | - | - | - | - | - | - | - | 7 |
| - | - | - | - | - | - | - | - | 6 |
| - | 1 | 1 | 1 | 1 | 1 | 2-2119781-4 | DEPRESSOR, SHEAR | 5 |
| - | 1 | 1 | 1 | 1 | 1 | 238011-4 | BLOCK, CRIMPER SPACER | 4 |
| - | 1 | 1 | 1 | 1 | 1 | 4-1803018-1 | CRIMPER, INSULATION O | 3 |
| - | 1 | 1 | 1 | 1 | 1 | 1-455888-1 | SPACER, CRIMPER | 2 |
| - | 1 | 1 | 1 | 1 | 1 | 8-1633609-8 | CRIMPER, WIRE | 1 |
| -77 | -7 | -6 | -5 | -2 | -1 | PART NO | DESCRIPTION | ITEM NO |

| DIMENSIONS: | | TOLERANCES UNLESS OTHERWISE SPECIFIED: | | DATE | BY | APPV | NAME |
|-------------|-------------|--|-------------|-----------|------------|-------------|--|
| mm | 0 PLC ±.5 | 1 PLC ±.13 | 2 PLC ±.013 | 07JUL2014 | BOB HIGMAN | T. ELBIN | TE Connectivity Harrisburg, PA 17105-3608 |
| | 3 PLC ±.003 | 4 PLC ±.001 | ANGLES ±.1 | 07JUL2014 | D. STOUGH | | Ocean Side Feed Applicator |
| MATERIAL: | FINISH: | WEIGHT: | SCALE: | SIZE: | CAGE CODE: | DRAWING NO: | RESTRICTED TO: |
| | | | 1:2 | A1 | 00779 | 2266352 | |

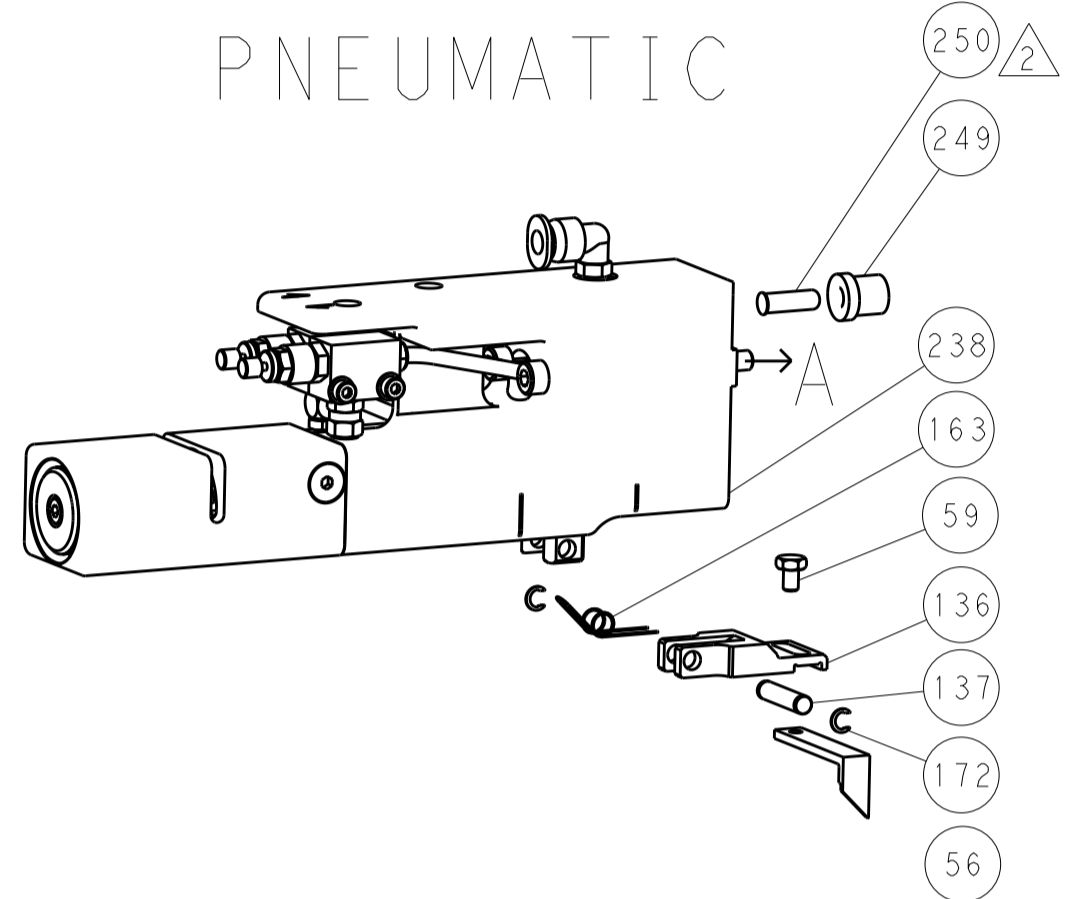
Customer Accessible Production Drawing

| LOC | | DIST | | REVISIONS | | | |
|-----|----|------|-----|-------------|------|-----|------|
| A | 66 | P | LTM | DESCRIPTION | DATE | DMN | APVD |
| | | - | - | SEE SHEET 1 | - | - | - |

FEED TYPE MECHANICAL



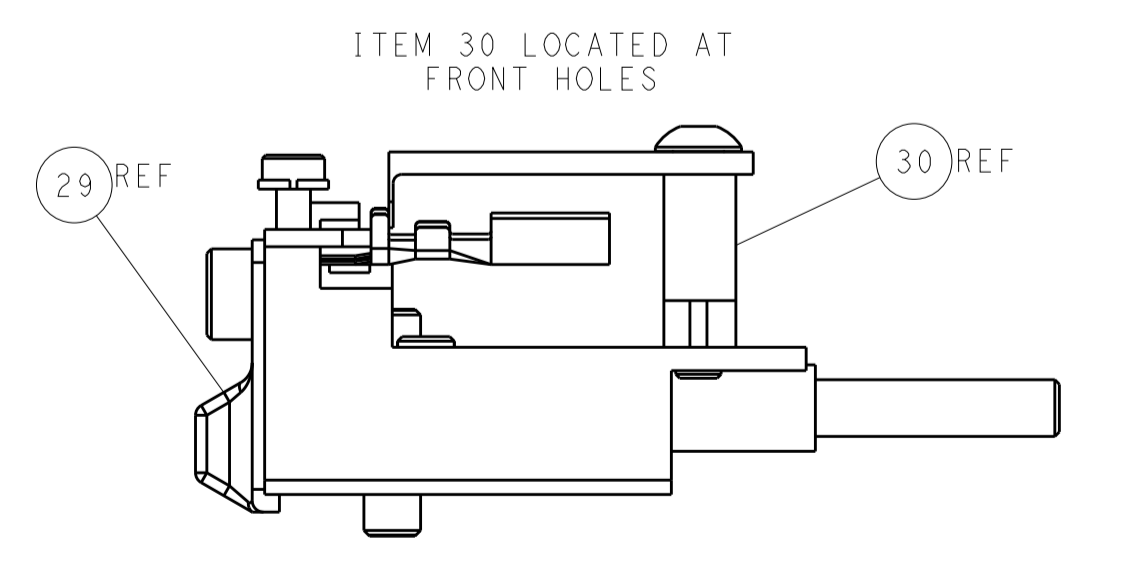
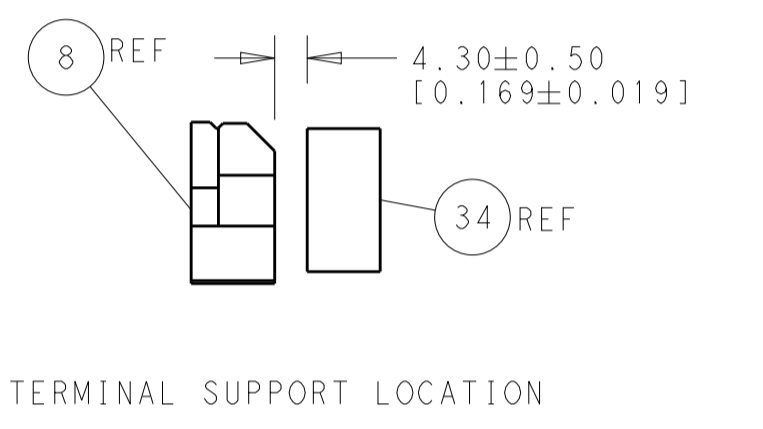
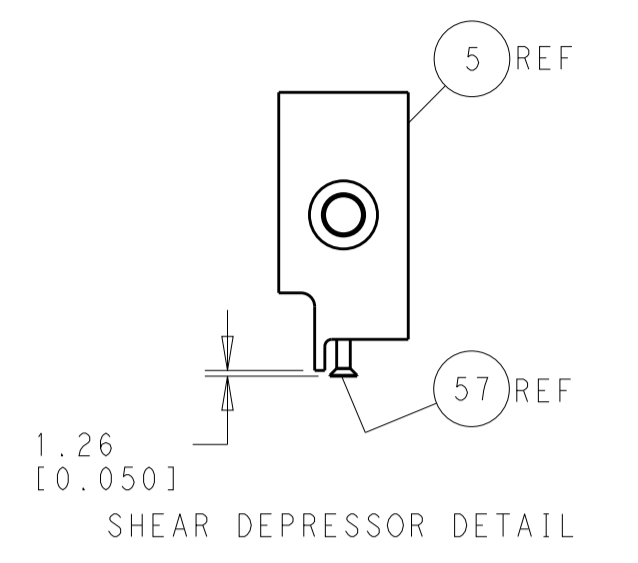
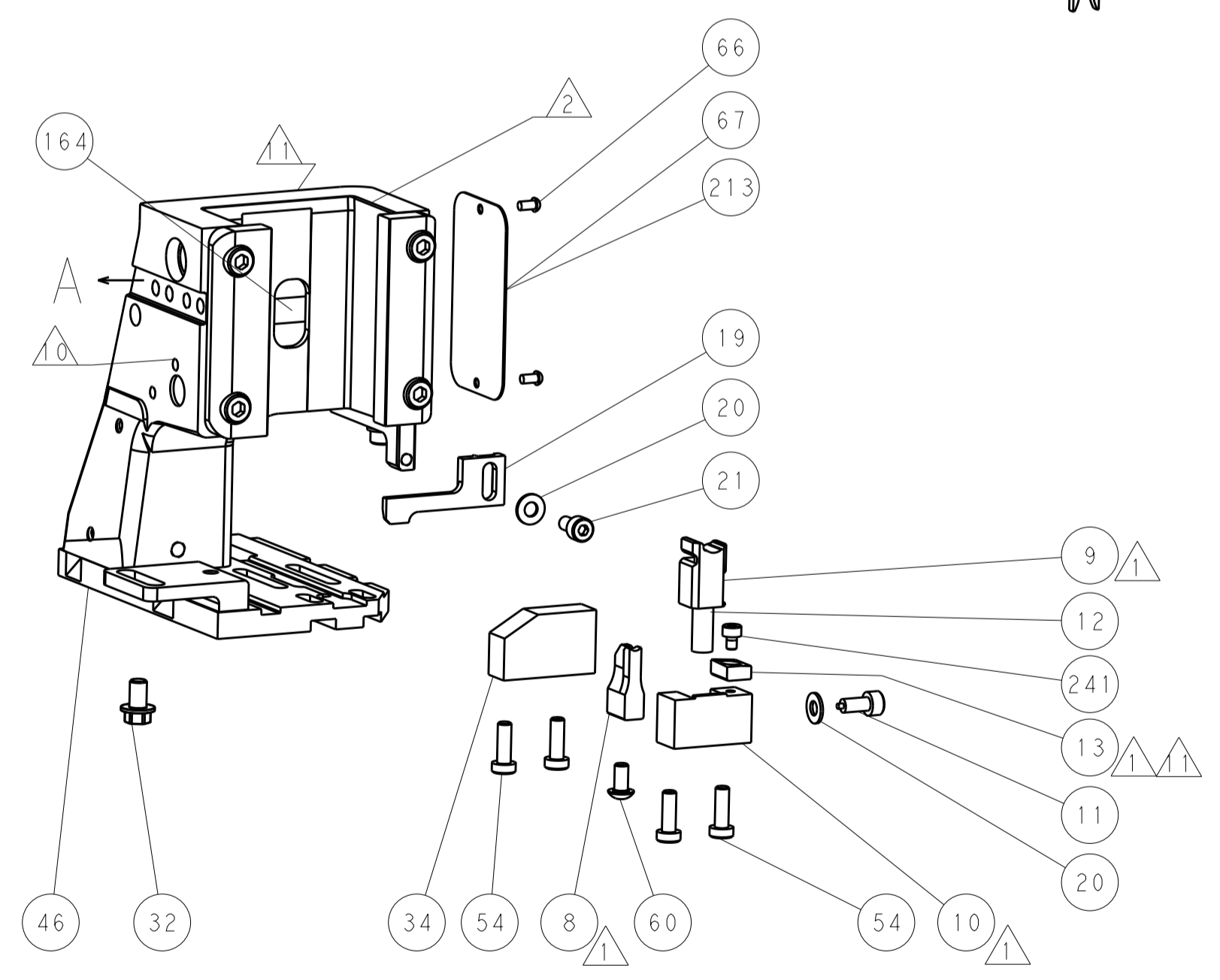
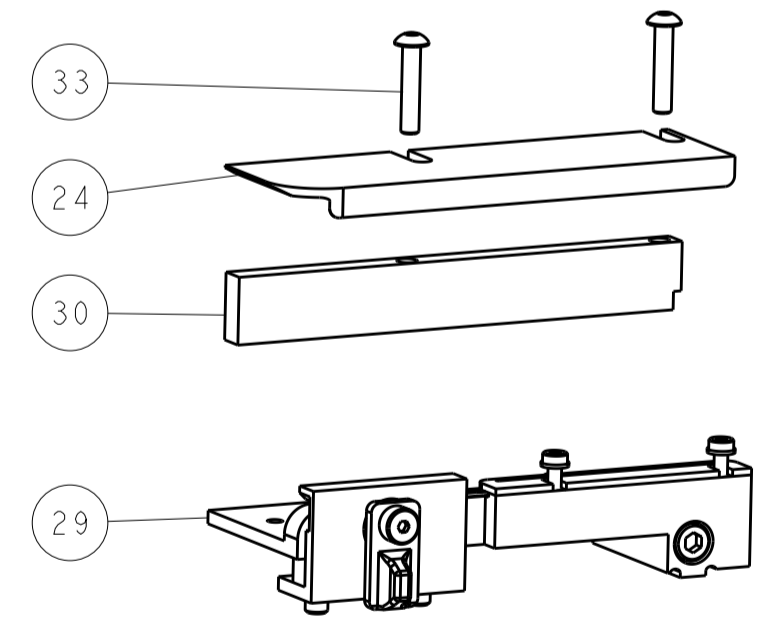
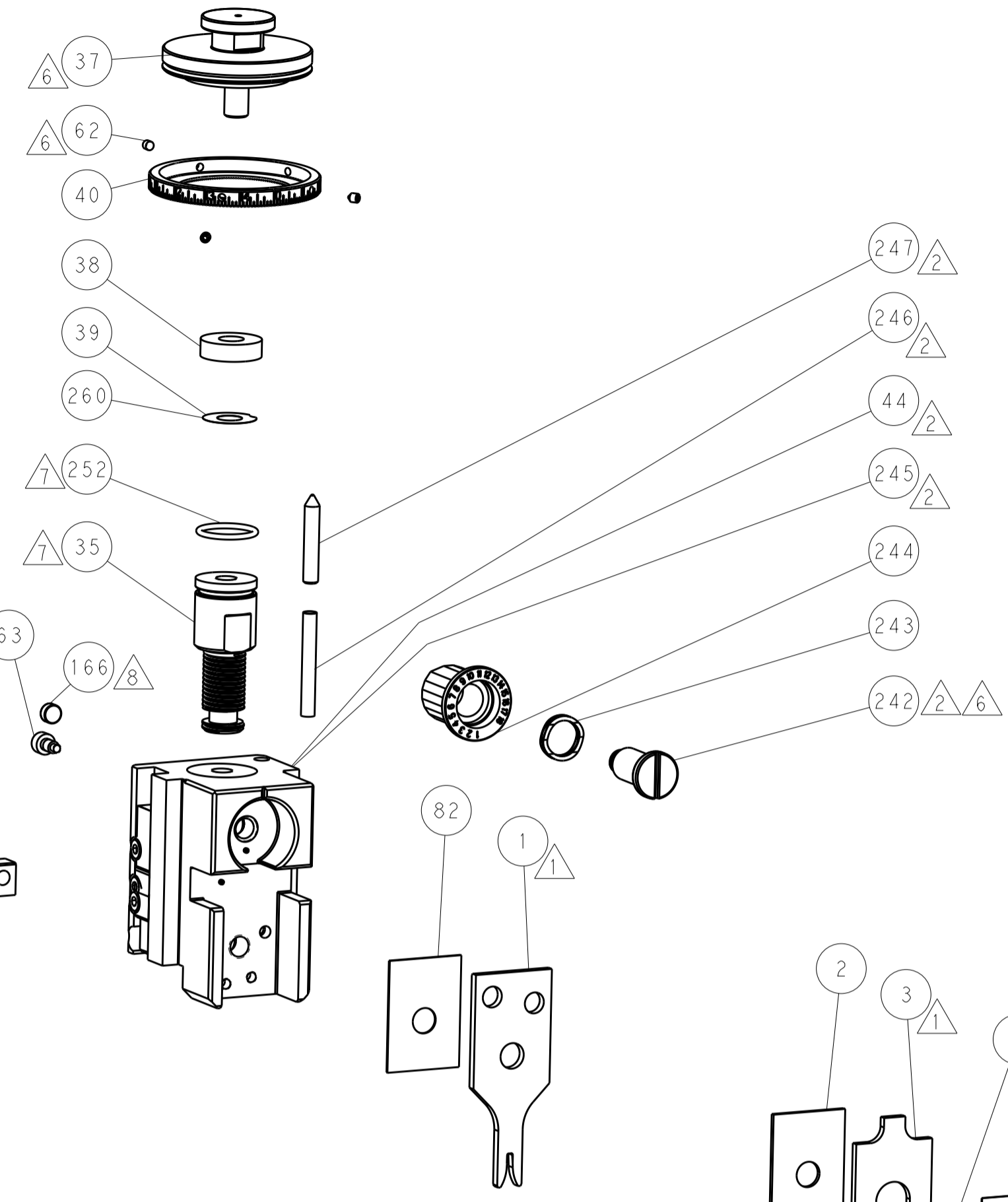
PNEUMATIC



SERVO LATCH PLATE



CAM POSITIONS

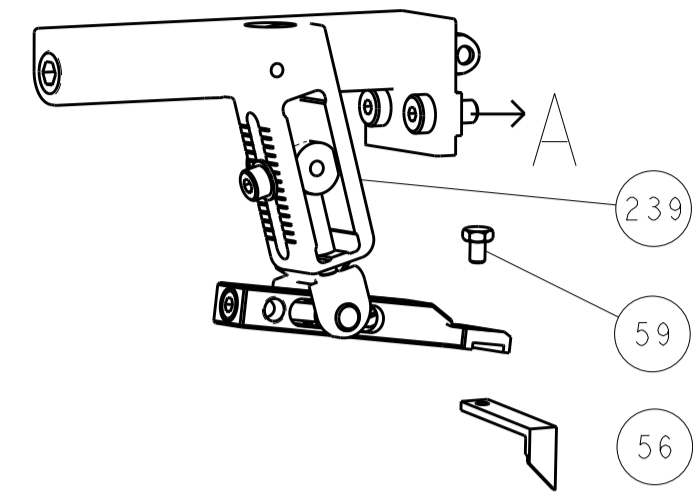


ATLANTIC VERSION
 Shown on sheets 1 of 4 & 2 of 4
 (Pacific version shown on sheets 3 of 4 & 4 of 4)

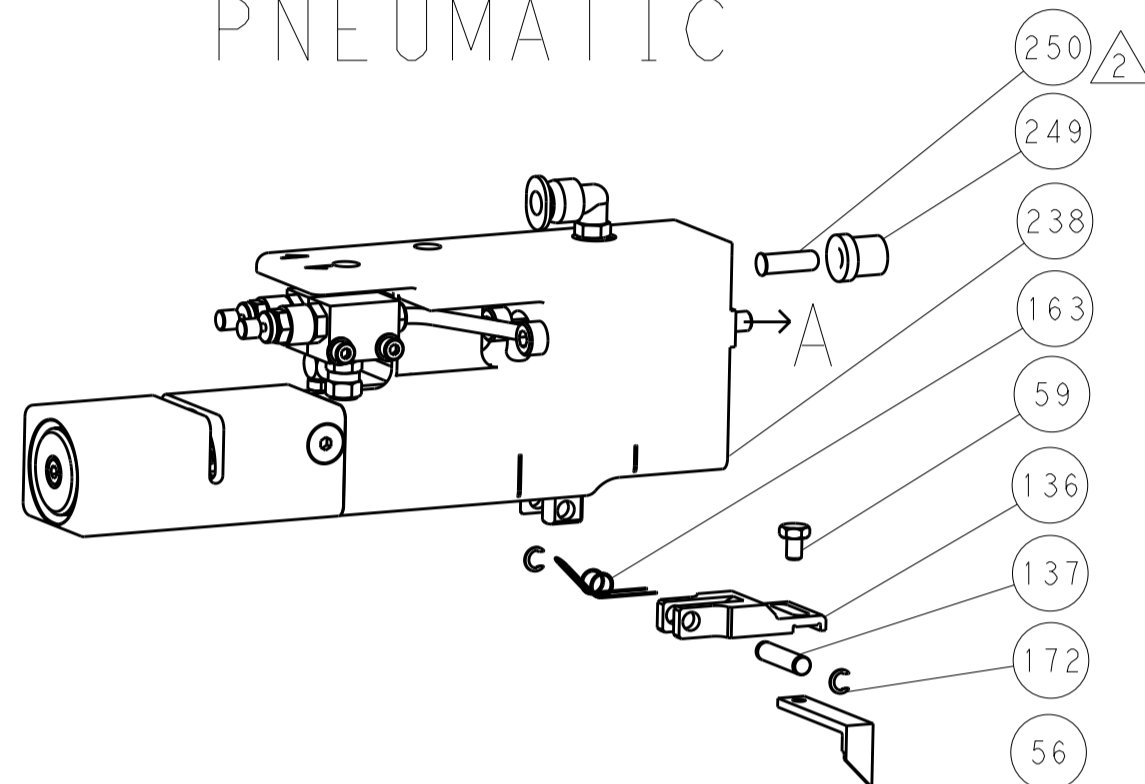
| | | | | | | | |
|-------------|------------|--|-------------|----------------------------------|--------------|---------------------------|---------------------------|
| DIMENSIONS: | | TOLERANCES UNLESS OTHERWISE SPECIFIED: | | OWN: BOB HIGMAN 07JUL2014 | | TE Connectivity | |
| mm | 0 PLC ±0.5 | 1 PLC ±0.5 | 2 PLC ±0.13 | 3 PLC ±0.013 | 4 PLC ±0.001 | APVD: D. STOUGH 07JUL2014 | Harrisburg, PA 17105-3608 |
| MATERIAL: | | FINISH: | | NAME: Ocean Side Feed Applicator | | RESTRICTED TO: | |
| | | | | SIZE: A1 | | CAGE CODE: 00779 | |
| | | | | DRAWING NO: 2266352 | | SCALE: 1:2 | |
| | | | | SHEET: 2 of 4 | | REV: A | |

| LOC | DIST | REV | DATE | BY | APPV |
|-----|------|-----|------|----|------|
| A | 66 | | | | |
| | | 1 | | | |
| | | 2 | | | |
| | | 3 | | | |
| | | 4 | | | |
| | | 5 | | | |
| | | 6 | | | |
| | | 7 | | | |
| | | 8 | | | |
| | | 9 | | | |
| | | 10 | | | |
| | | 11 | | | |
| | | 12 | | | |
| | | 13 | | | |
| | | 14 | | | |
| | | 15 | | | |
| | | 16 | | | |
| | | 17 | | | |
| | | 18 | | | |
| | | 19 | | | |
| | | 20 | | | |
| | | 21 | | | |
| | | 22 | | | |
| | | 23 | | | |
| | | 24 | | | |
| | | 25 | | | |
| | | 26 | | | |
| | | 27 | | | |
| | | 28 | | | |
| | | 29 | | | |
| | | 30 | | | |
| | | 31 | | | |
| | | 32 | | | |
| | | 33 | | | |
| | | 34 | | | |
| | | 35 | | | |
| | | 36 | | | |
| | | 37 | | | |
| | | 38 | | | |
| | | 39 | | | |
| | | 40 | | | |
| | | 41 | | | |
| | | 42 | | | |
| | | 43 | | | |
| | | 44 | | | |
| | | 45 | | | |
| | | 46 | | | |
| | | 47 | | | |
| | | 48 | | | |
| | | 49 | | | |
| | | 50 | | | |
| | | 51 | | | |
| | | 52 | | | |
| | | 53 | | | |
| | | 54 | | | |
| | | 55 | | | |
| | | 56 | | | |
| | | 57 | | | |
| | | 58 | | | |
| | | 59 | | | |
| | | 60 | | | |
| | | 61 | | | |
| | | 62 | | | |
| | | 63 | | | |
| | | 64 | | | |
| | | 65 | | | |
| | | 66 | | | |
| | | 67 | | | |
| | | 68 | | | |
| | | 69 | | | |
| | | 70 | | | |
| | | 71 | | | |
| | | 72 | | | |
| | | 73 | | | |
| | | 74 | | | |
| | | 75 | | | |
| | | 76 | | | |
| | | 77 | | | |
| | | 78 | | | |
| | | 79 | | | |
| | | 80 | | | |
| | | 81 | | | |
| | | 82 | | | |
| | | 83 | | | |
| | | 84 | | | |
| | | 85 | | | |
| | | 86 | | | |
| | | 87 | | | |
| | | 88 | | | |
| | | 89 | | | |
| | | 90 | | | |
| | | 91 | | | |
| | | 92 | | | |
| | | 93 | | | |
| | | 94 | | | |
| | | 95 | | | |
| | | 96 | | | |
| | | 97 | | | |
| | | 98 | | | |
| | | 99 | | | |
| | | 100 | | | |
| | | 101 | | | |
| | | 102 | | | |
| | | 103 | | | |
| | | 104 | | | |
| | | 105 | | | |
| | | 106 | | | |
| | | 107 | | | |
| | | 108 | | | |
| | | 109 | | | |
| | | 110 | | | |
| | | 111 | | | |
| | | 112 | | | |
| | | 113 | | | |
| | | 114 | | | |
| | | 115 | | | |
| | | 116 | | | |
| | | 117 | | | |
| | | 118 | | | |
| | | 119 | | | |
| | | 120 | | | |
| | | 121 | | | |
| | | 122 | | | |
| | | 123 | | | |
| | | 124 | | | |
| | | 125 | | | |
| | | 126 | | | |
| | | 127 | | | |
| | | 128 | | | |
| | | 129 | | | |
| | | 130 | | | |
| | | 131 | | | |
| | | 132 | | | |
| | | 133 | | | |
| | | 134 | | | |
| | | 135 | | | |
| | | 136 | | | |
| | | 137 | | | |
| | | 138 | | | |
| | | 139 | | | |
| | | 140 | | | |
| | | 141 | | | |
| | | 142 | | | |
| | | 143 | | | |
| | | 144 | | | |
| | | 145 | | | |
| | | 146 | | | |
| | | 147 | | | |
| | | 148 | | | |
| | | 149 | | | |
| | | 150 | | | |
| | | 151 | | | |
| | | 152 | | | |
| | | 153 | | | |
| | | 154 | | | |
| | | 155 | | | |
| | | 156 | | | |
| | | 157 | | | |
| | | 158 | | | |
| | | 159 | | | |
| | | 160 | | | |
| | | 161 | | | |
| | | 162 | | | |
| | | 163 | | | |
| | | 164 | | | |
| | | 165 | | | |
| | | 166 | | | |
| | | 167 | | | |
| | | 168 | | | |
| | | 169 | | | |
| | | 170 | | | |
| | | 171 | | | |
| | | 172 | | | |
| | | 173 | | | |
| | | 174 | | | |
| | | 175 | | | |
| | | 176 | | | |
| | | 177 | | | |
| | | 178 | | | |
| | | 179 | | | |
| | | 180 | | | |
| | | 181 | | | |
| | | 182 | | | |
| | | 183 | | | |
| | | 184 | | | |
| | | 185 | | | |
| | | 186 | | | |
| | | 187 | | | |
| | | 188 | | | |
| | | 189 | | | |
| | | 190 | | | |
| | | 191 | | | |
| | | 192 | | | |
| | | 193 | | | |
| | | 194 | | | |
| | | 195 | | | |
| | | 196 | | | |
| | | 197 | | | |
| | | 198 | | | |
| | | 199 | | | |
| | | 200 | | | |

FEED TYPE MECHANICAL



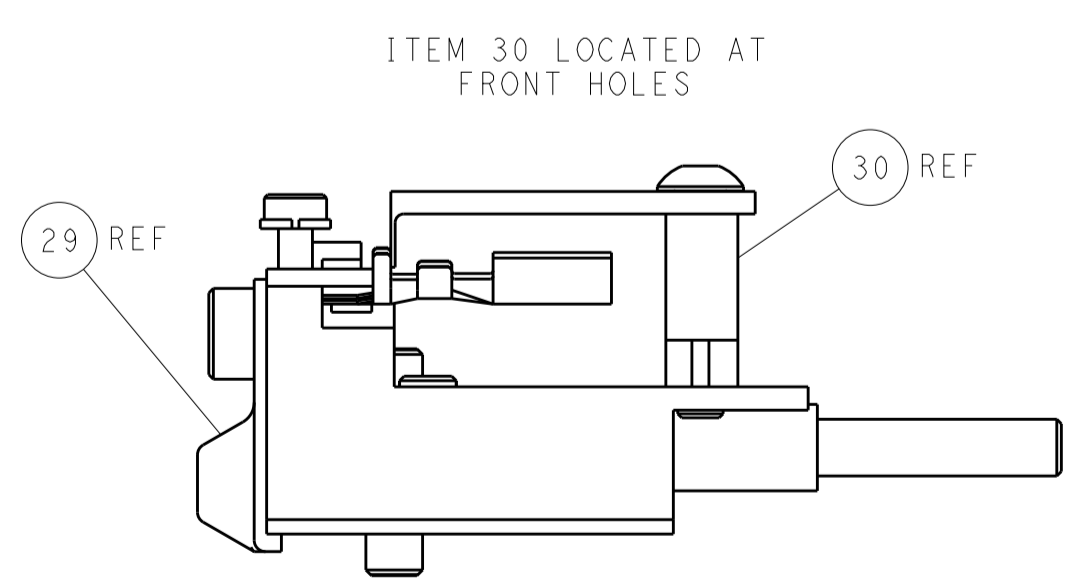
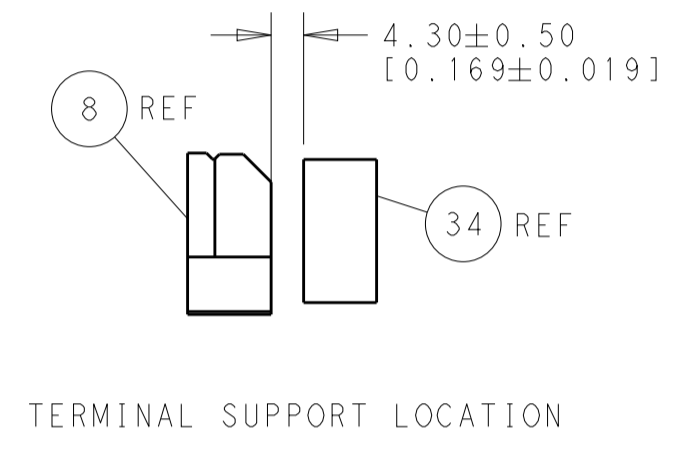
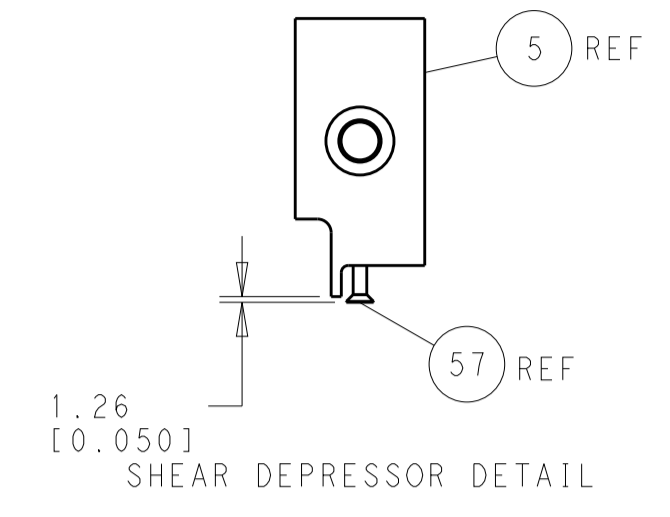
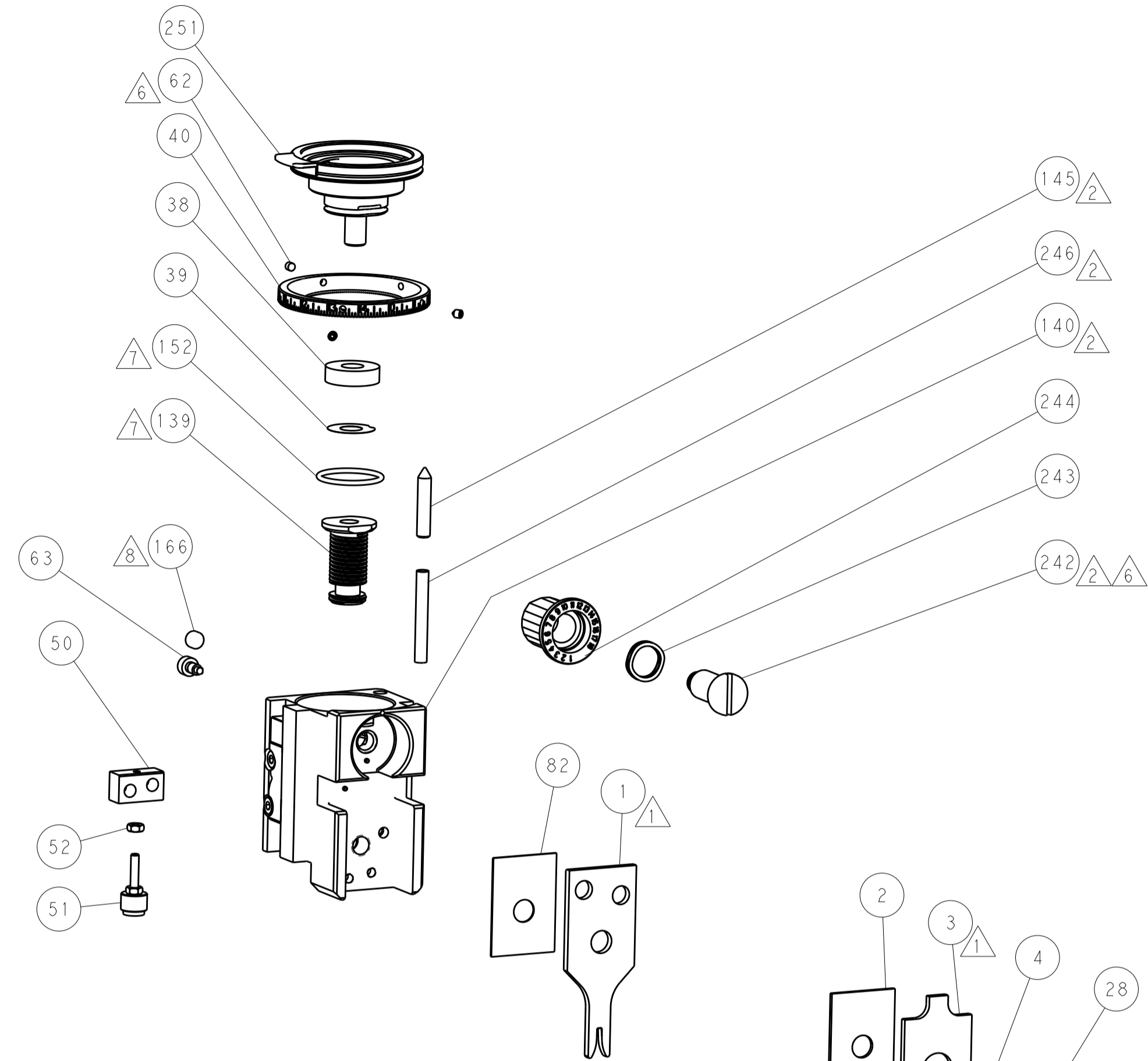
PNEUMATIC



SERVO LATCH PLATE



CAM POSITIONS



PACIFIC VERSION
 Shown on sheets 3 of 4 & 4 of 4
 (Atlantic version shown on sheets 1 of 4 & 2 of 4)

| | | | | | |
|--|----------------|--|-------------|---------------------------|----------------------------------|
| DIMENSIONS: | | TOLERANCES UNLESS OTHERWISE SPECIFIED: | | OWN: BOB HIGMAN 07JUL2014 | NAME: Ocean Side Feed Applicator |
| mm | 0 PLC ±0.5 | 1 PLC ±0.5 | 2 PLC ±0.13 | 3 PLC ±0.013 | 4 PLC ±0.001 |
| | ANGLES ±0.0001 | FINISH | | APV: D. STOUGH 07JUL2014 | RESTRICTED TO |
| MATERIAL: | | WEIGHT: | | SIZE: A1 | CAGE CODE: 00779 |
| | | | | DRAWING NO: C=2266352 | SCALE: 1:2 |
| Customer Accessible Production Drawing | | | | SHEET: 4 | REV: A |