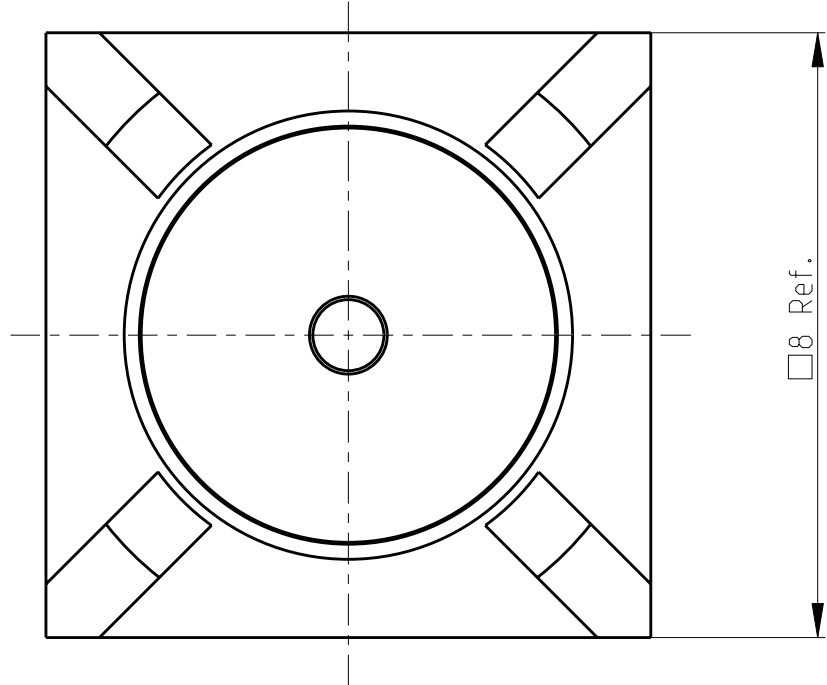
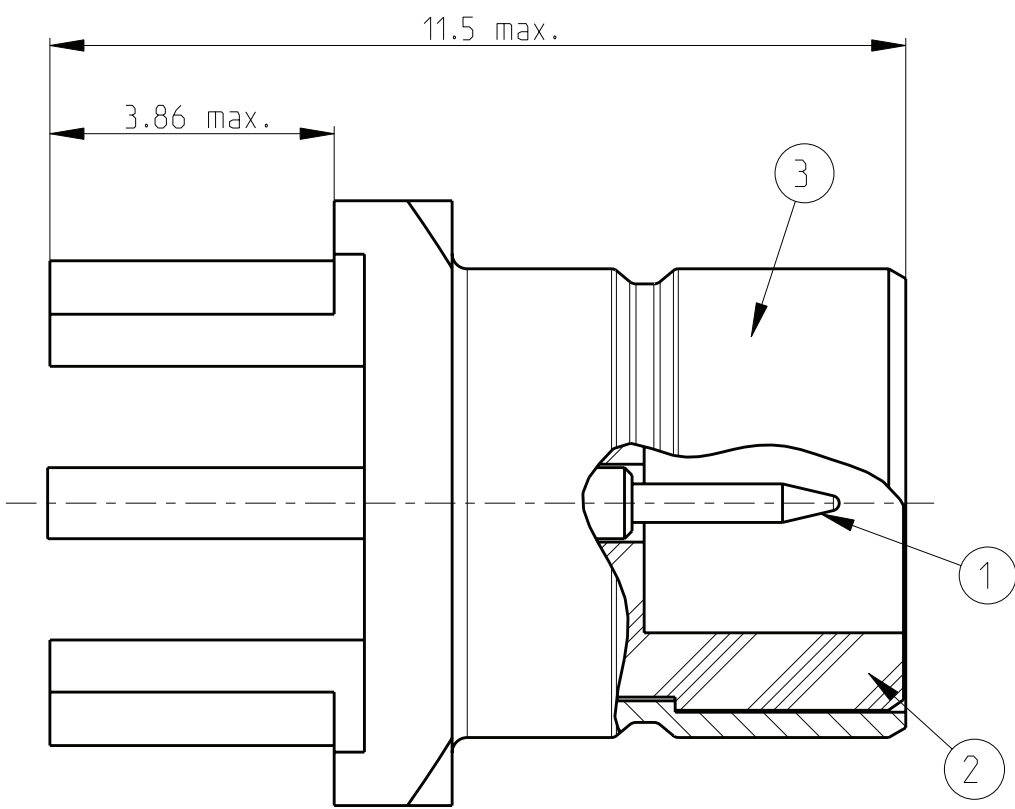
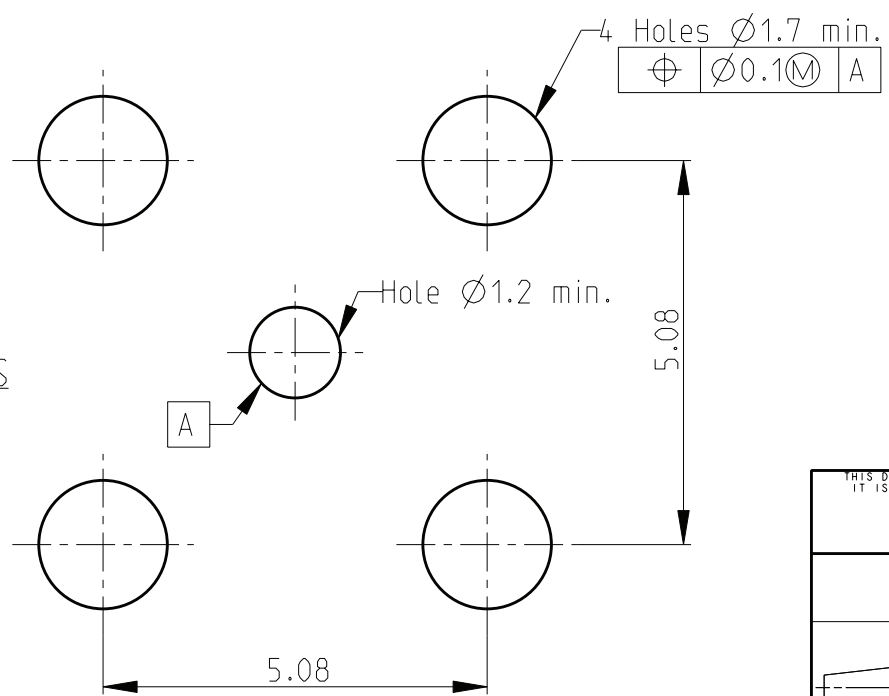


THIS DRAWING IS UNPUBLISHED. RELEASED FOR PUBLICATION  
 © COPYRIGHT - BY TYCO ELECTRONICS CORPORATION. ALL RIGHTS RESERVED.

LOC	DIST	REVISIONS			
P	LTR	DESCRIPTION	DATE	DWN	APVD
	A	ECR-06-009279 (Redrawn parts)	18APR2006	AN	DB



- ① 1 Jack (pos. 1-3) packed in plastic bag from foil PN 1486591-2
- ② 10 Jacks (pos. 1-3) packed in plastic bag from foil PN 1486591-2  
10 plastic bags for each stripe  
20 stripes packed in carton box PN 973058-3
- ③ General tolerances according to ISO 2768-mH.



PRINTED CIRCUIT MOUNTING DETAILS

①	1311125-1	3	Body	Brass	min. 0.2 µm Au over min. 2 µm min. Nip	1	
②	1311125-2	2	Dielectric	PTFE	None	1	
		1	Center conductor	Brass	min. 0.2 µm Au over min. 2 µm min. Nip	1	
			Item	Description	Material	Plating	Qty

<small>THIS DRAWING IS A CONTROLLED DOCUMENT FOR TYCO ELECTRONICS CORPORATION IT IS SUBJECT TO CHANGE AND THE CONTROLLING ENGINEERING ORGANIZATION SHOULD BE CONTACTED FOR THE LATEST REVISION.</small>		DWN 18APR2006 A. Nicolini		<b>tyco</b> tyco Electronics <b>Electronics</b> CH - Switzerland - Lugano	
DIMENSIONS: mm		TOLERANCES UNLESS OTHERWISE SPECIFIED: 0 PLC ± 1 PLC ± 2 PLC ± 3 PLC ± 4 PLC ± ANGLES ±		CHK 18APR2006 D.Bozzer	
MATERIAL see table		FINISH see table		NAME BT43 Jack PCB Solder	
WEIGHT -		PRODUCT SPEC -		APPLICATION SPEC -	
CUSTOMER DRAWING		SCALE 10:1		SHEET 1 OF 1	
SIZE A3		CAGE CODE 00779		DRAWING NO. C-1311125	
RESTRICTED TO -		REV A		REV A	