

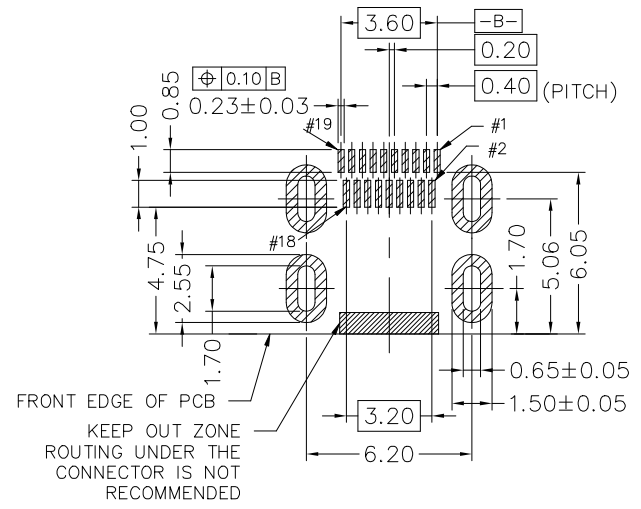
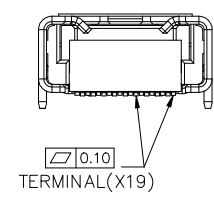
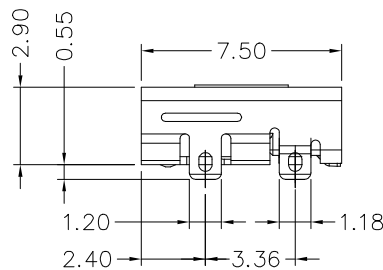
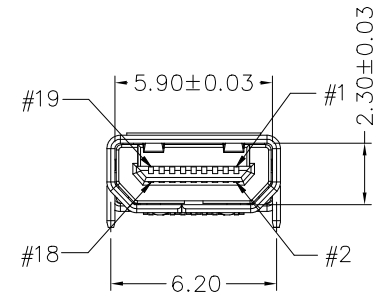
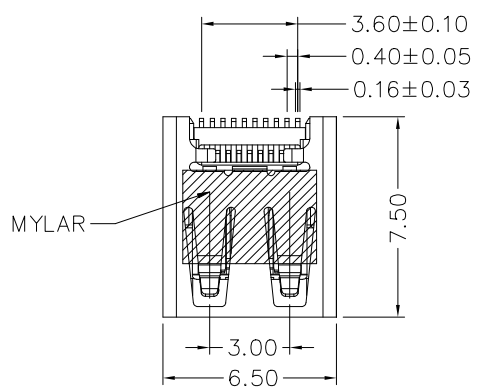
PART NUMBER
10118242-0X1RLF

PART NO. DESCRIPTION:
10118242-XXXXLF

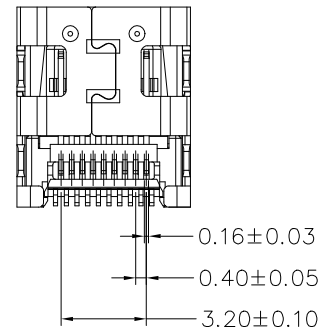
- LEAD FREE
- PACKING TYPE
R: TAPE & REEL
- CONTACT AREA PLATING
1: Au 15u"
2: Au 30u"
- COLOR OPTION
0: BLACK
1: NATURAL
- MYLAR OPTION
0: WITH MYLAR
1: WITHOUT MYLAR

NOTES:

1. MATERIAL:
HOUSING: LCP+30%GF ,UL94 V-0,BLACK OR NATURAL
TERMINAL: COPPER ALLOY.
SHELL: STAINLESS STEEL
2. FINISH:
CONTACT AREA: GOLD PLATED
SOLDER AREA: GOLD FLASH PLATED
SHELL: TIN PLATED
NICKEL PLATED UNDER OVER ALL
3. PRODUCT SPECIFICATION: GS-12-0983.
4. PACKAGING SPECIFICATION: GS-14-2164.
5. THE PRODUCT MEETS EUROPEAN UNION DIRECTIVES AND OTHER COUNTRY REGULATIONS AS DESCRIBED IN GS-22-008,
- 6 THE CONNECTOR CAN WITHSTAND EXPOSURE TO 260 DEGREE PEAK TEMPERATURE FOR 10 SECONDS IN IR REFLOW OVEN.



RECOMMENDED PCB LAYOUT (.XX±0.05)
CONNECTOR SIDE (TOP VIEW)



Amphenol FCI
© 2016 AFCI

mat'l. code HPL528		surface ISO 1302 ✓	tolerance ASME Y14.5	projection MM	product family HDMI
ltr	ecn no	dr	date	tolerances unless otherwise specified	title
A	LS		09/13/11	angles .X±0.25	HDMI TYPE D RECEPTACLE
B	ELX-N-012816	ZK	09/07/12	linear .XX±0.20	
C	ELX-N-16428	HENRY	12/04/13	±1'	scale 1:1
D	ELX-N-24781	TONY	08/23/16	dr LEIF_SHEN	09/13/11
E	ELX-N-25475	TONY	11/25/16	eng LEIF_SHEN	09/13/11
F	ELX-N-25898	TONY	01/12/17	chr GARY_HSIEH	09/13/11
G	ELX-N-28731	TONY	12/08/17	app GARY_HSIEH	09/13/11
sheet	revision	G			
index	sheet	1			

