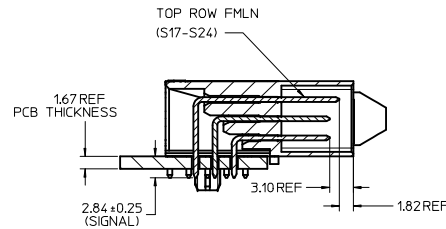
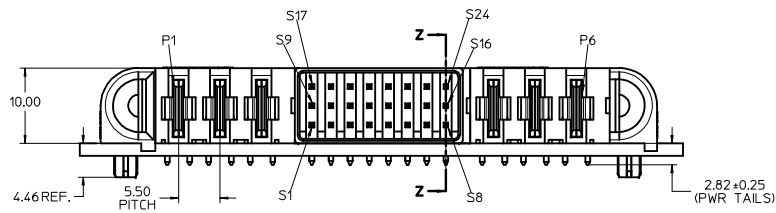
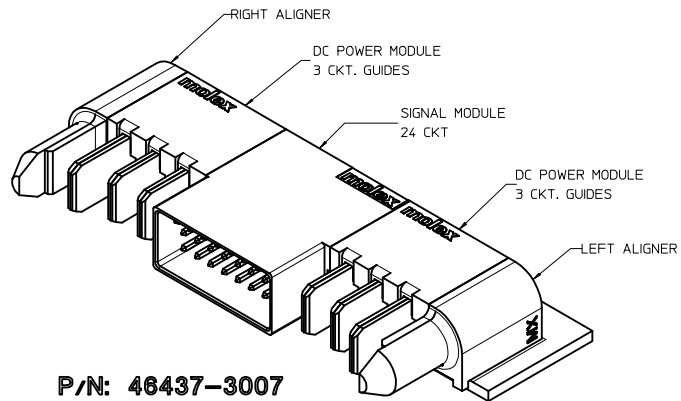
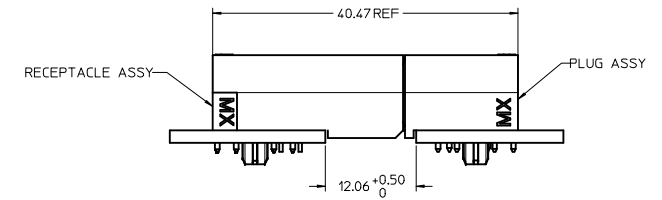


RECOMMENDED PCB LAY-OUT AND KEEP-OUT ZONE



SECTION Z-Z



P/N: 46437-3007

NOTES:

- MATERIAL:
 - HOUSINGS: LCP UL94, V-0, COLOR: BLACK.
 - TERMINALS: COPPER ALLOY.
 - PLATING: 0.00127 NICKEL OVERALL WITH 0.00254 SELECTIVE TIN ON SOLDER TAILS AND 0.000762 SELECTIVE GOLD ON CONTACT AREA.
- ASSEMBLIES PACKED IN TRAYS, SPO: TBD
- PC BOARD REQUIRES SOLDER THRU HOLES, REFER TO PS-46436-100 FOR DETAILS
- PRODUCT SPEC: PS-46436-100.
- APPLICATION SPEC: AS-46436-100.
- PRODUCT TO MEET ROHS REQUIREMENTS.
- ASSEMBLY MATES TO MOLEX RECEPTACLE ASSEMBLY P/N 46436-3007 OR 46562-3007.

QUALITY SYMBOLS	GENERAL TOLERANCES (UNLESS SPECIFIED)		DIMENSION STYLE		SCALE	DESIGN UNITS	THIRD ANGLE PROJECTION
	mm	INCH	MM ONLY	DATE	NTS	METRIC	
4 PLACES ± ---	± ---	± ---	DRAWN BY KJKOH	DATE 2009/03/11	TITLE RA PLUG ASSY TEN60 POWER G-3P-24S-3P-G	MATERIAL NO. 46437-3007	SHEET NO. 1 OF 1
3 PLACES ± ---	± ---	CHECKED BY KJKOH					
2 PLACES ± 0.25	± ---	± ---	APPROVED BY SHONG	DATE			
1 PLACE ± 0.25	± ---	± ---					
ANGULAR ± 1/2°							
DRAFT WHERE APPLICABLE MUST REMAIN WITHIN DIMENSIONS			SIZE A 1		THIS DRAWING CONTAINS INFORMATION THAT IS PROPRIETARY TO MOLEX INCORPORATED AND SHOULD NOT BE USED WITHOUT WRITTEN PERMISSION		