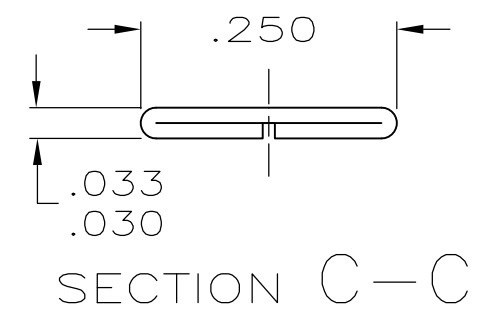
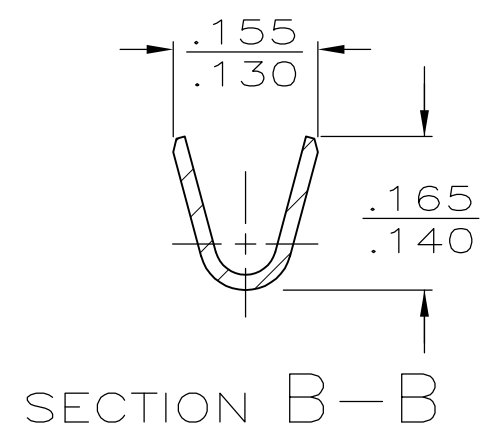
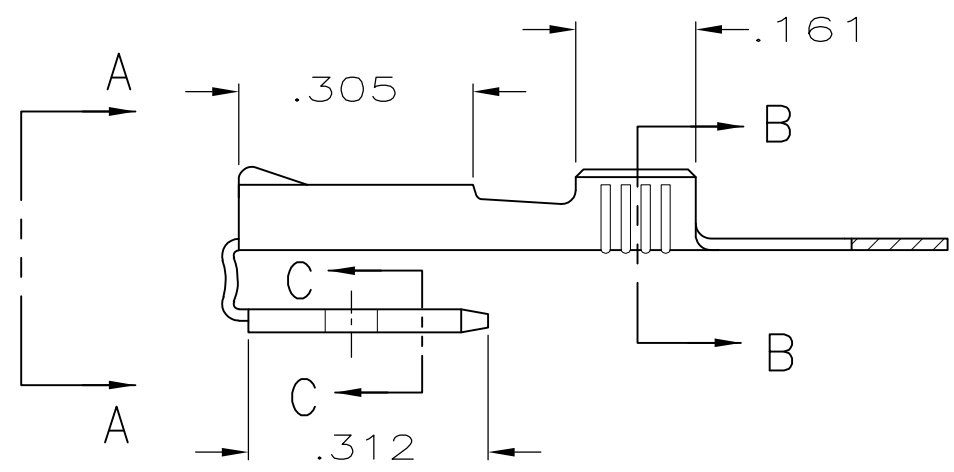
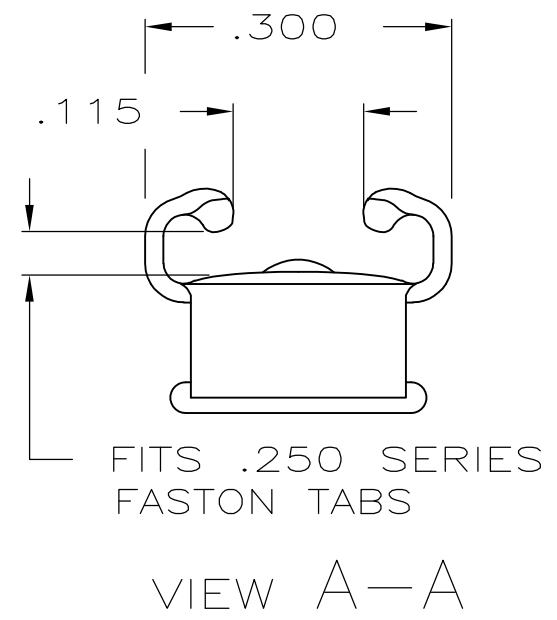
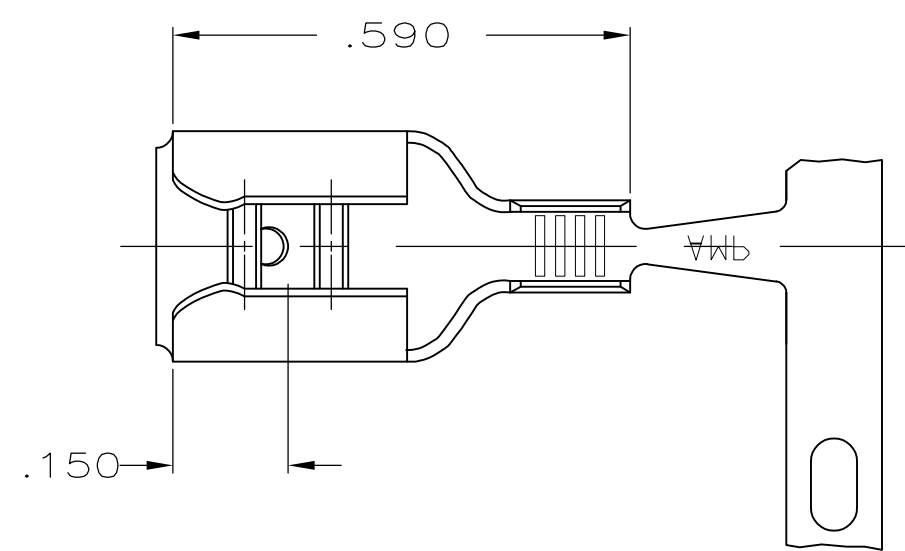


THIS DRAWING IS UNPUBLISHED. RELEASED FOR PUBLICATION
 © COPYRIGHT - By - ALL RIGHTS RESERVED.

LOC	DIST	REVISIONS			
P	LTR	DESCRIPTION	DATE	DWN	APVD
AF	50	G	REVISED PER ECR-12-013459	27NOV2012	KH PD

1 CONTINUOUS STRIP ON REELS.



18-14	.032 ±.001	62276-1
WIRE SIZE	TAB THK.	PART NO

THIS DRAWING IS A CONTROLLED DOCUMENT.		DWN	JR RUTH	5/28/86
DIMENSIONS: INCHES		CHK	G YETTER	5/28/86
TOLERANCES UNLESS OTHERWISE SPECIFIED:		APVD	C MEYERS	5/28/86
0 PLC	± -	PRODUCT SPEC		
1 PLC	± -	APPLICATION SPEC		
2 PLC	± -	114-2082		
3 PLC	± .015	WEIGHT -		
4 PLC	± -	CUSTOMER DRAWING		
ANGLES	± -	SCALE 4:1		
MATERIAL	BRASS	FINISH		
PRE-TIN		SHEET 1 OF 1		

STE TE Connectivity			
.250 SERIES FASTON PIGGY-BACK RECEPTACLE			
SIZE	CAGE CODE	DRAWING NO	RESTRICTED TO
A3	00779	C-62276	-
REV G		REV G	