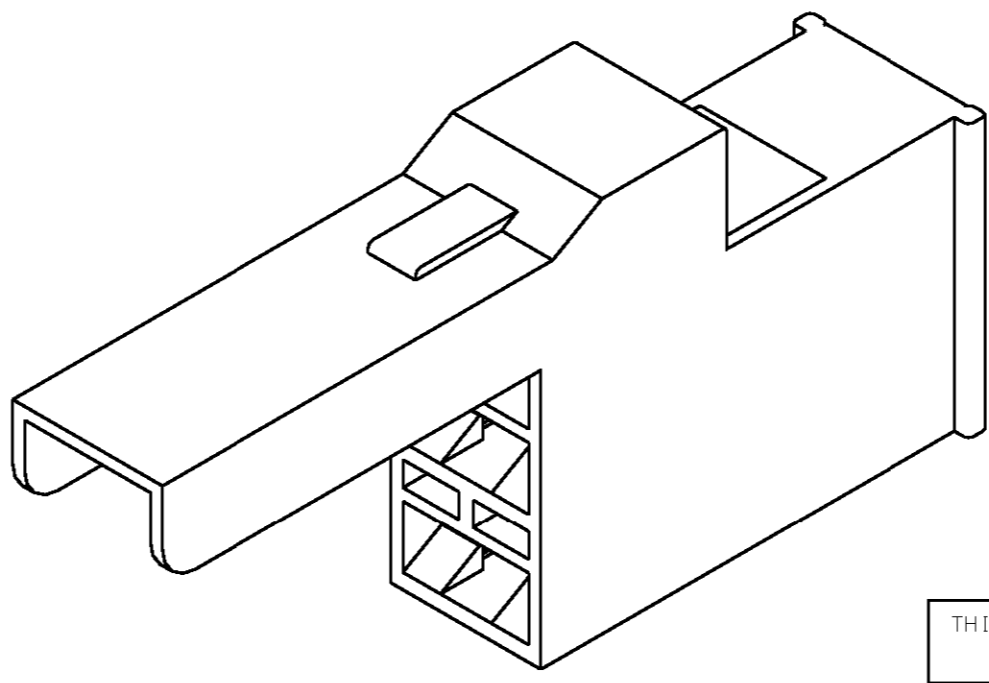
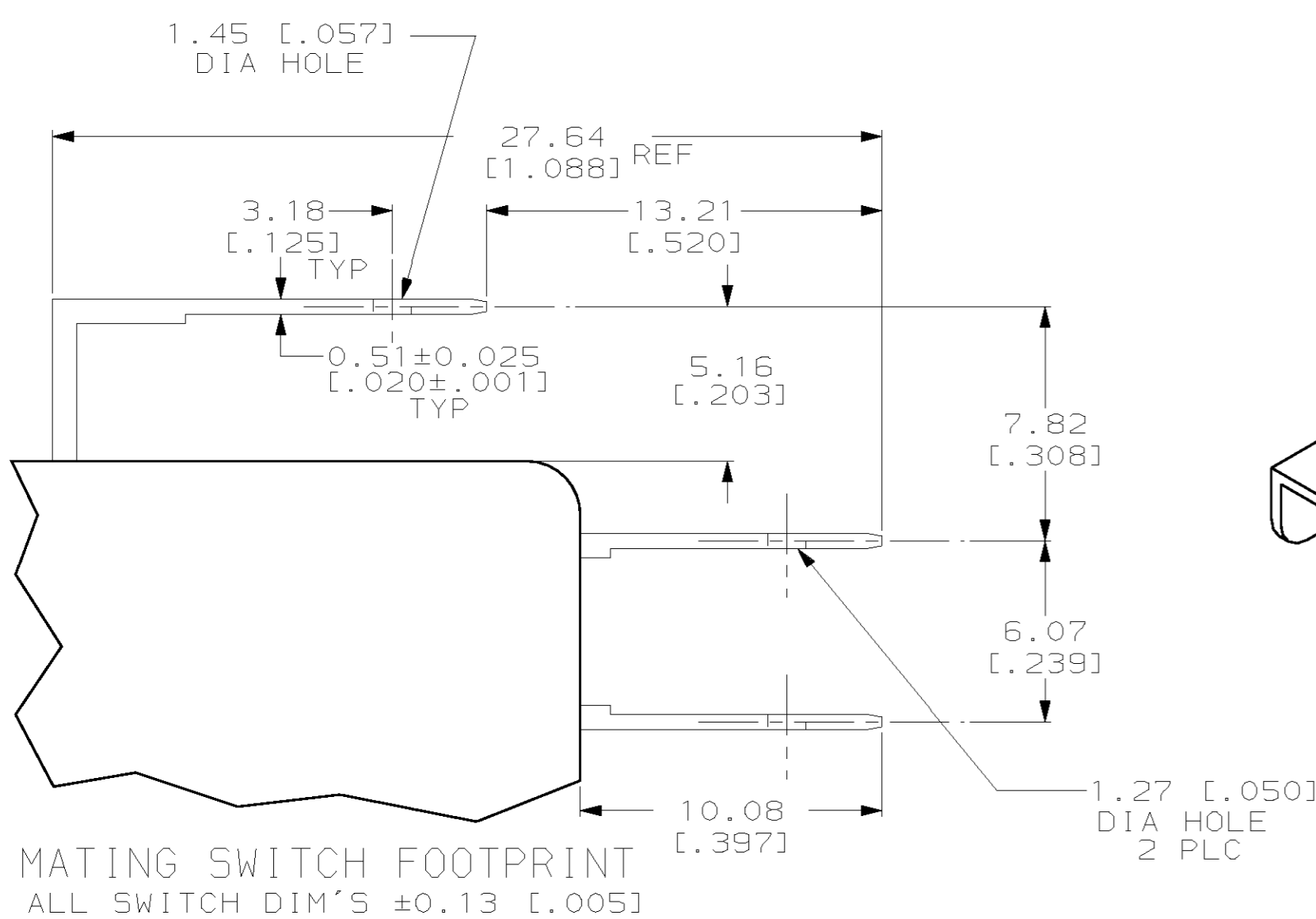
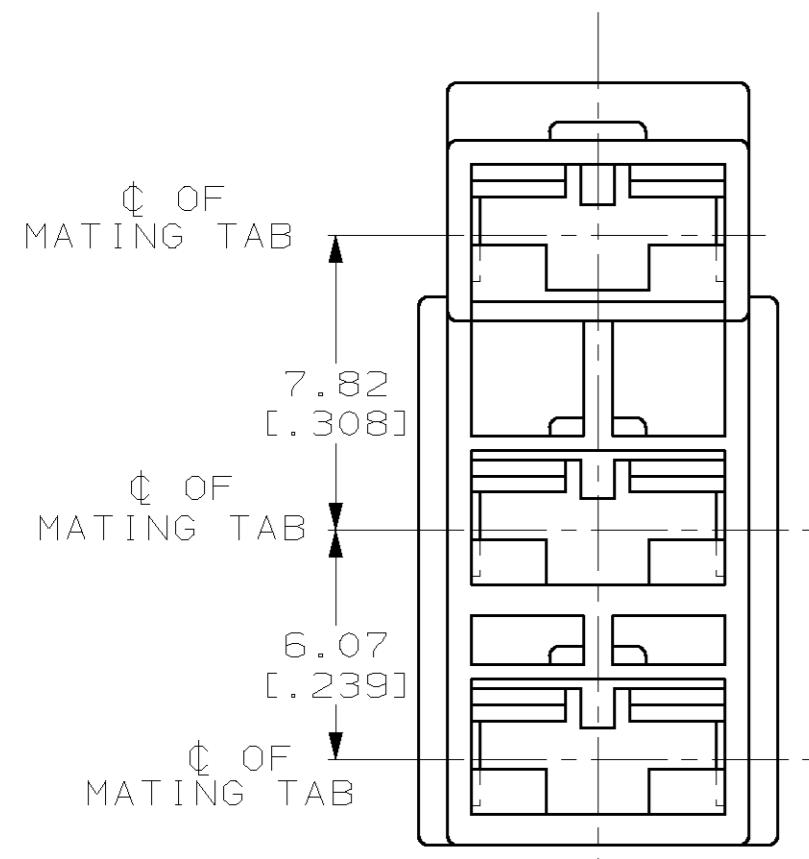
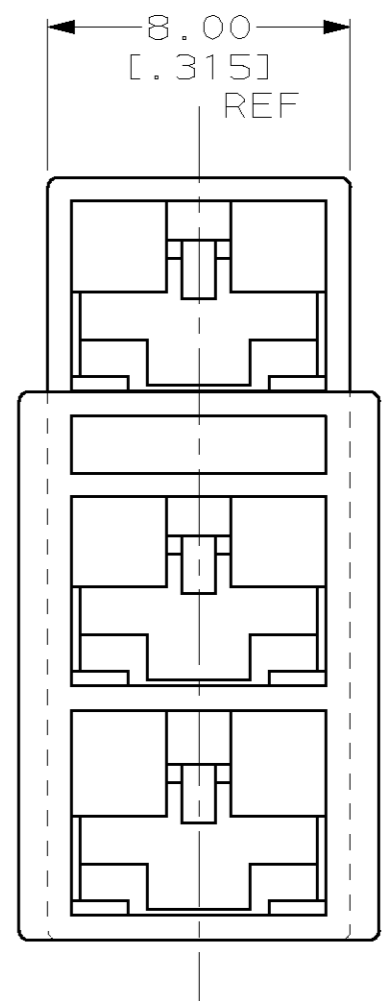
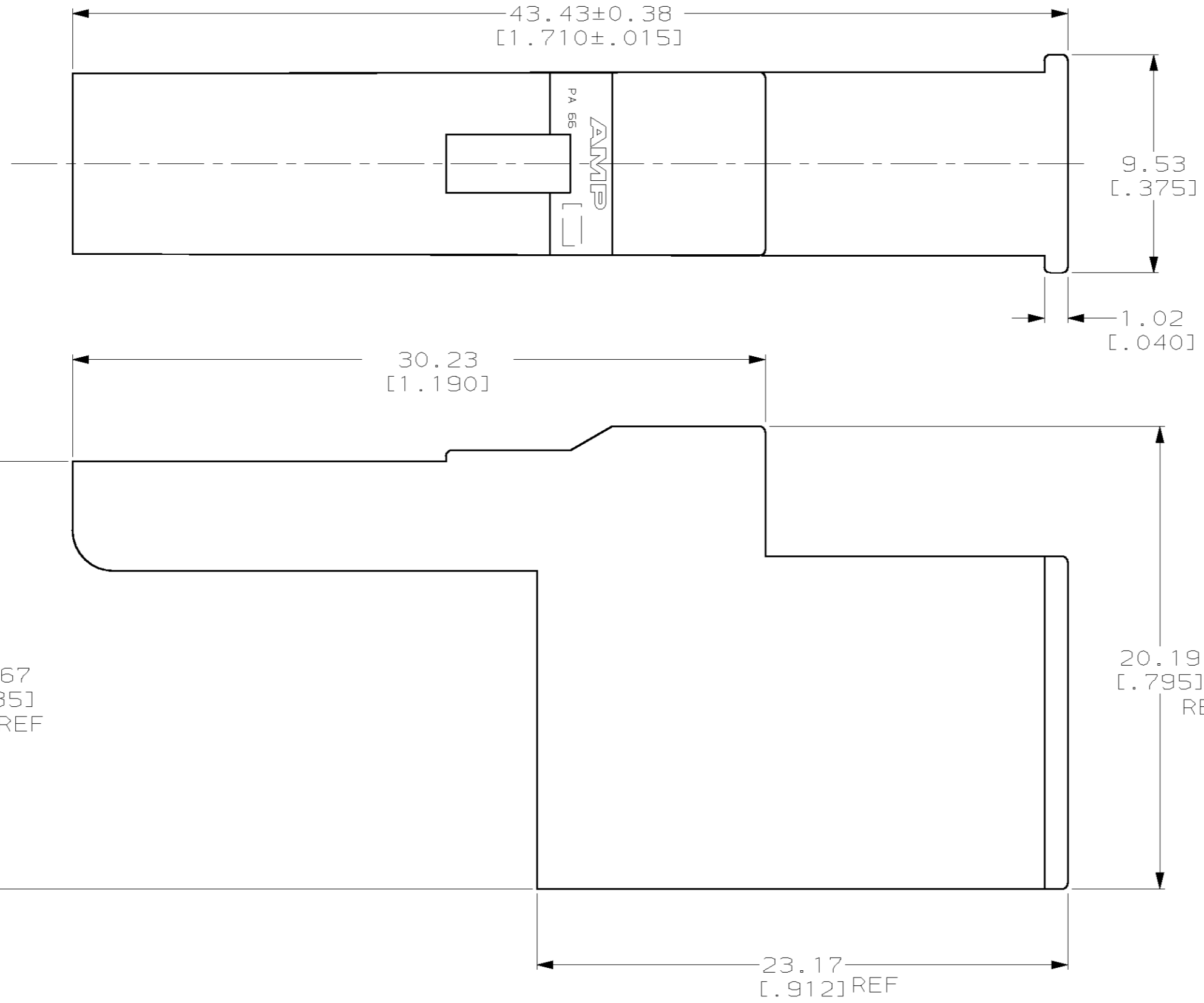


THIS DRAWING IS UNPUBLISHED. RELEASED FOR PUBLICATION .19
 © COPYRIGHT 19 BY AMP INCORPORATED. ALL RIGHTS RESERVED.

REVISIONS				DATE	DWN	APVD
LOC	DIST	P	LTR	DESCRIPTION		
AF	50	A		REL PER 063A-0098-99	13AUG99	JR EH



3D VIEW

1 ACCEPTS TERMINAL P/N'S 1217113 & 1217114.

RED	521198-2
NATURAL	521198-1
COLOR	PART NO.

AMP AMP Incorporated Harrisburg, PA 17105-3608	
NAME: HOUSING, RECEPT, POSI-LOCK, MK III, 4.75 [.187] SERIES	
SIZE: A2	CAGE CODE: 00779
DRAWING NO: 521198	RESTRICTED TO: -
SCALE: 5:1	SHEET: 1 OF 1
CUSTOMER DRAWING	REV: A

THIS DRAWING IS A CONTROLLED DOCUMENT.		DWN: JR RUTH 22MAR99
DIMENSIONS: MM (INCHES)		CHK: MS FEHER 22MAR99
TOLERANCES UNLESS OTHERWISE SPECIFIED:		APVD: E HOWARD 22MAR99
0 PLC	±-	PRODUCT SPEC
1 PLC	±-	APPLICATION SPEC
2 PLC	±0.25 [.010]	
3 PLC	±-	
4 PLC	±-	
ANGLES	±-	
MATERIAL: 6/6 NYLON UL94V2	FINISH: NATURAL	WEIGHT: -