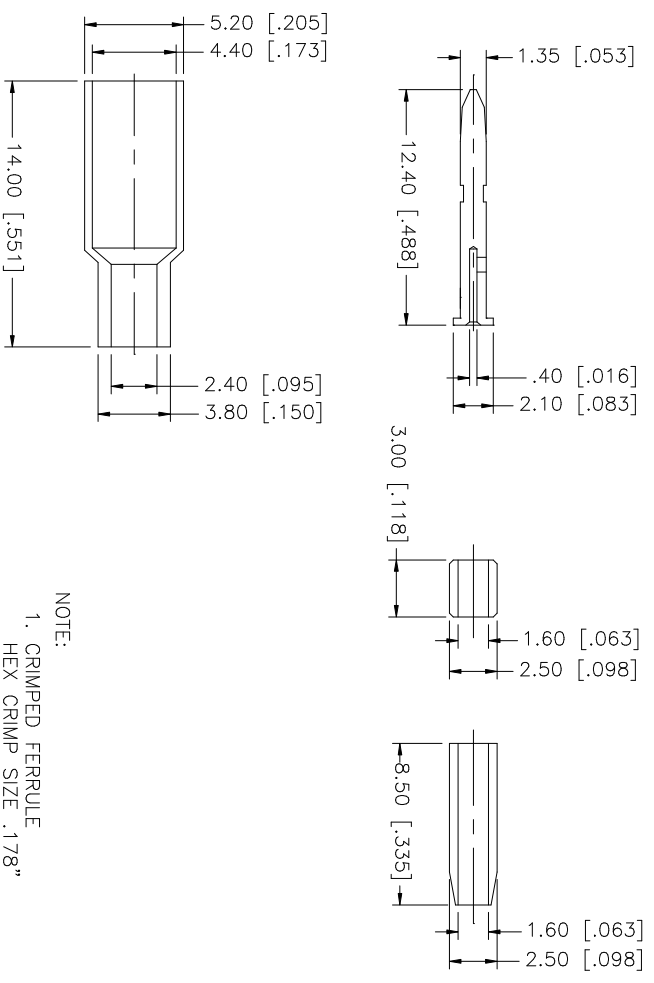
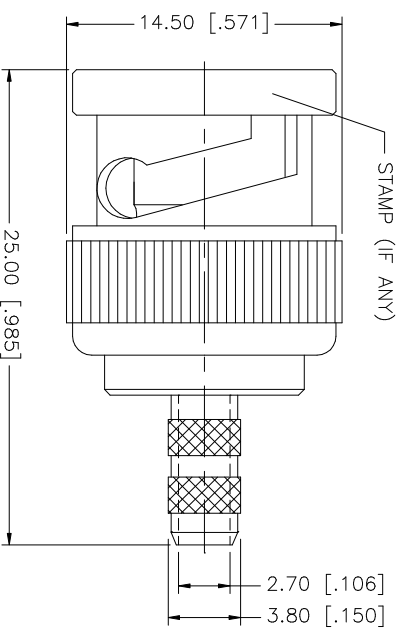
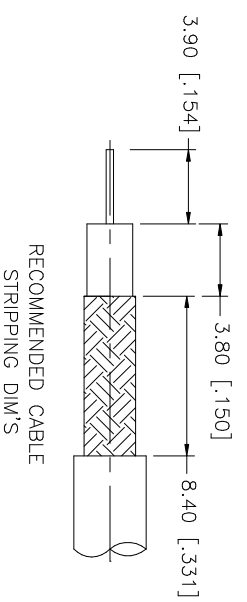


REV.	DATE	DESCRIPTION
NC	03/21/04	INITIAL RELEASE



NOTE:  
 1. CRIMPED FERRULE  
 HEX CRIMP SIZE .178"  
 2. CONTACT PIN TO SOLDER

NO.	DESCRIPTION	MATERIAL	FINISH	QTY	DO NOT SCALE DRAWING	CAD FILE	DWG. NO.	REV.	NC	SIZE	SCALE
8						APPROVALS					
7						DATE					
6	FERRULE	BRASS	NICKEL	1		DRAWN	G.R.S.	03/21/04			
5	SPACER	TEFLON	NATURAL	1		CHECKED					
4	SLEEVE	BRASS	NICKEL	1		ISSUED					
3	INSULATOR	TEFLON	NATURAL	1		SHEET	1 OF 1				
2	CONTACT PIN	BRASS	GOLD	1		PART NO.					
1	BODY	BRASS	NICKEL	1							
<p>UNLESS OTHERWISE SPECIFIED DIMENSIONS ARE IN MILLIMETERS. DIMENSIONS IN [ ] ARE IN INCHES AND FOR CUSTOMER REFERENCE ONLY.</p> <p>UNLESS OTHERWISE SPECIFIED TOLERANCES FOR MILLIMETERS ARE:            0.5 - 8mm ± 0.20mm            8 - 30mm ± 0.40mm            30 - 120mm ± 0.50mm</p> <p>UNLESS OTHERWISE SPECIFIED TOLERANCES FOR INCHES ARE:            .020 - .315 = ± 0.007"            .315 - 1.180 = ± 0.015"            1.180 - 4.724 = ± 0.020"</p>						<p>Amphenol Connex</p> <p>BNC CRIMP PLUG            (FOR 30AWG MOGOMI CABLE)</p> <p>112722</p>					
DESCRIPTION						SCALE NA					