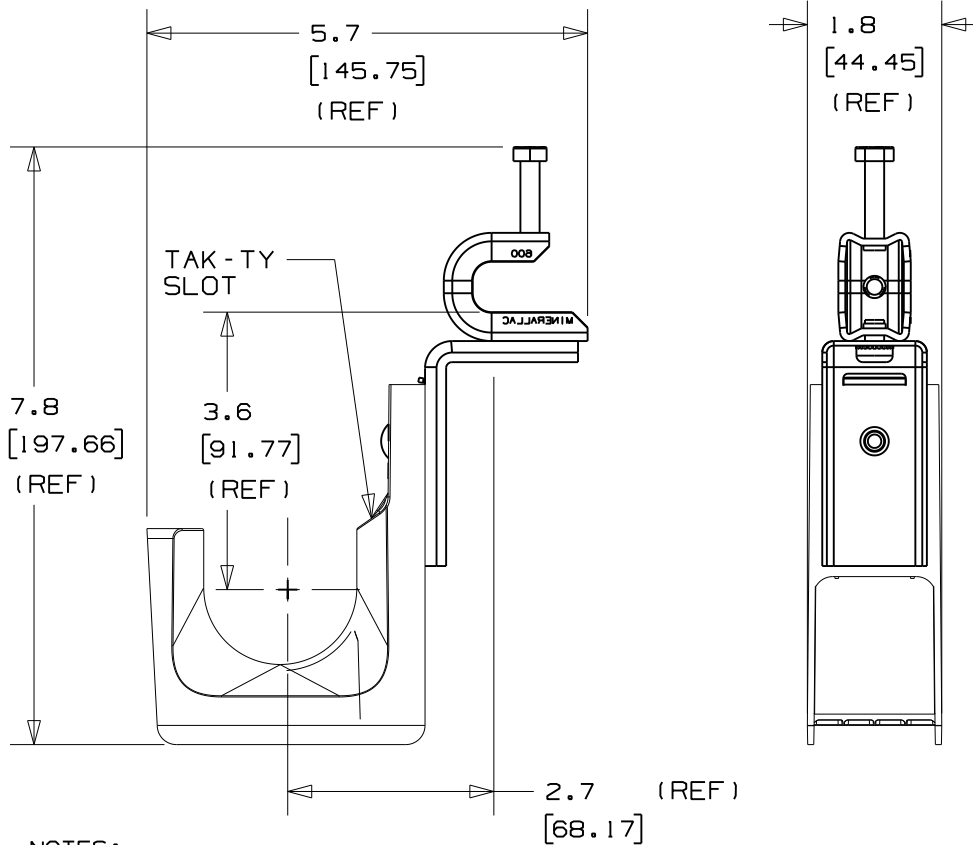
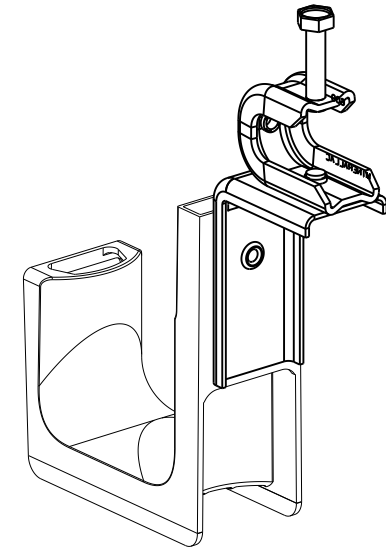


THIS COPY IS PROVIDED ON A RESTRICTED BASIS AND IS NOT TO BE USED IN ANY WAY DETRIMENTAL TO THE INTERESTS OF PANDUIT CORP.



PANDUIT PART NO.	FLANGE THICKNESS	WEIGHT lbs 10 (g) pcs
JP2SBC50R-__	UP TO 0.50 (12.7)	3.88 (1763.0)



**NOTES:**

- SEE CURRENT PRICE SHEET FOR PART NUMBER SUFFIX DESIGNATION FOR PACKAGE SIZE AND PRODUCT COLOR.
- HOOK MATERIAL: NYLON 6/6  
ANGLE BRACKET MATERIAL: PRE-GALVANIZED STEEL  
RIVET MATERIAL: ALUMINUM  
BOLT MATERIAL: ZINC PLATED STEEL  
WASHER MATERIAL: ZINC PLATED STEEL  
CLAMP MATERIAL: PLATED STEEL
- PRODUCT IS DESIGNED TO SUPPORT A MAXIMUM OF 2" (50.8) DIAMETER BUNDLE. MAXIMUM RECOMMENDED STATIC LOAD: 30 lbs.
- PRODUCT INCORPORATES FEATURES ALLOWING USER TO RETAIN CABLE BUNDLES IN J-PRO J-HOOK WITH TAK-TY CABLE TIES UP TO 3/4" WIDE.
- PRODUCT MARKINGS:  
cULus logo and statement:  
"SUITABLE FOR USE IN AIR HANDLING SPACES IN ACCORDANCE WITH SECTION 300-22 (C) & (D) OF THE NATIONAL ELECTRIC CODE."  
ULC logo and statement:  
"IN ACCORDANCE WITH CAN/ULC S-102.2 IN SINGLE UNITS OR PAIRS, 4 ft (1220mm) MIN. SPACING, FSR=0, SDC=20."

DIMENSIONS IN BRACKETS ARE METRIC [ mm ]	
CAD FILENAME/LAYERS	10K016B1_DC_GB2888FD/01A
<b>PANDUIT</b> CORP. TINLEY PARK, ILLINOIS	
J-PRO J-HOOK WITH 360° SCREW-ON BEAM CLAMP (JP2SBC50R-__)	
UNLESS OTHERWISE SPECIFIED, DIMENSIONAL TOLERANCES ARE: (.X) ±0.05 (1.3) (.XXX) ±0.010 (0.25) (.XX) ±0.02 (0.5) ANGLES ± 5°	UNLESS OTHERWISE SPECIFIED, ALL DIMENSIONS ARE GIVEN IN INCHES, THIRD ANGLE PROJECTION.
DRAWN BY JAD	MAT'L:
DATE 6/1/04	SEE NOTE 2
CHK'D KLN	SCALE NONE
	DRAWING NO. GB2888FD
	DWG SIZE A

REV	DATE	BY	CHK	DESCRIPTION	ECN - R	CUST	SUP	OC
O1A	10/26/10	APW	DJW	REVISED DIMENSIONS, UPDATED TO TEAMCENTER FORMAT	GB2888FD	O1A	KLN	
1	4/8/05	JAD		INITIAL RELEASE	GB2888FD	1		