

THIS INFORMATION IS CONFIDENTIAL AND PROPRIETARY TO CW INDUSTRIES INCORPORATED AND ITS AFFILIATES. IT MAY NOT BE DISCLOSED TO ANYONE, OTHER THAN CW INDUSTRIES PERSONNEL, WITHOUT WRITTEN AUTHORIZATION FROM CW INDUSTRIES INCORPORATED, SOUTHAMPTON, PENNSYLVANIA USA.

E

D

C

B

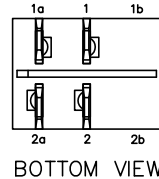
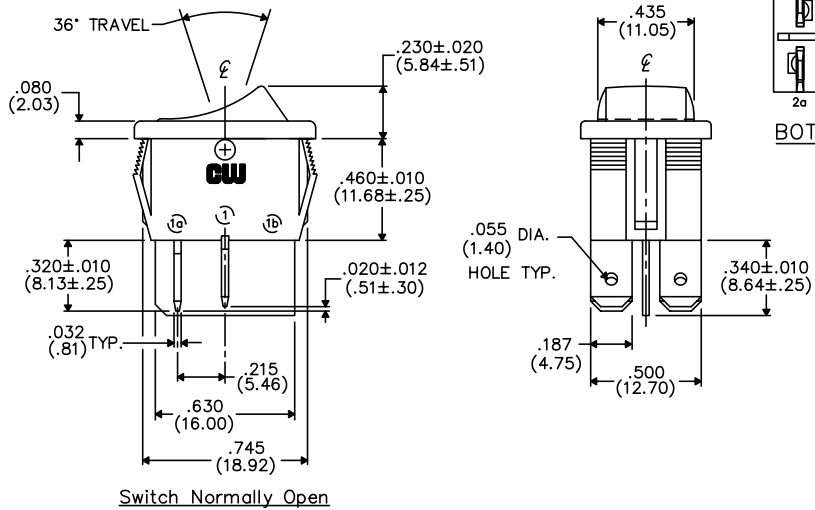
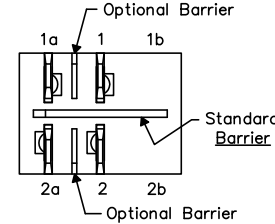
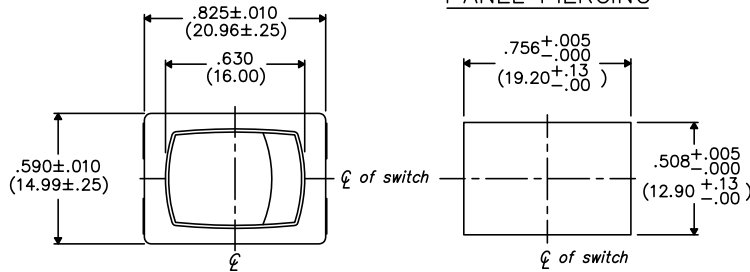
A

DIMENSIONS IN INCHES (MILLIMETERS)  
DO NOT SCALE DRAWING .....

Dwg. No.  
GRS-4021B-XXXX

**PANEL PIERCING**

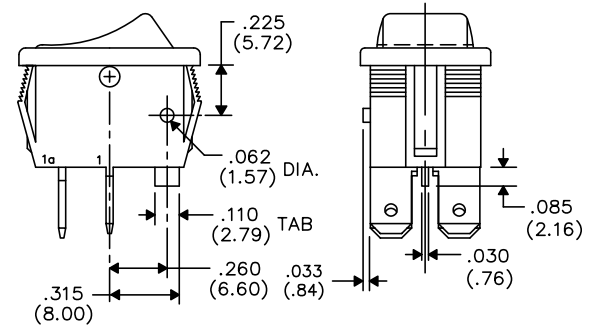
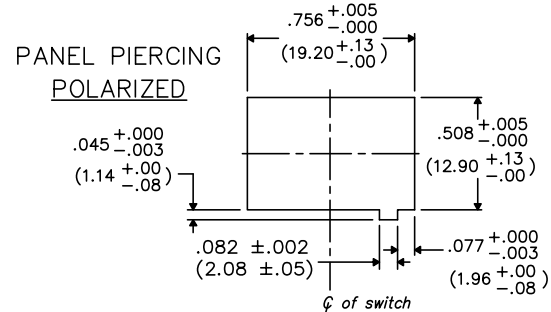
**OPTIONAL INSULATING BARRIER**



BOTTOM VIEW

**MOUNTING PANEL THICKNESS**

Standard-.050" (1.27mm) to .150" (3.81mm).  
Optional Mounting Claws for Custom Panel thickness are available.



**TAB AND POLARIZATION OPTIONS**

**TERMINAL OPTIONS:**

- .187" (4.75mm) x .032" (.81mm) Solderless
- .110" (2.79mm) x .032" (.81mm) Solderless
- .187" (4.75mm) x .020" (.51mm) Solderless
- .110" (2.79mm) wide with .048" (1.22mm) x .237" (6.02mm) Slot for Soldering

1 2 3 4 5 6 7 8 9 10

B-FORMAT 2002

REVISIONS

**CW INDUSTRIES**  
Southampton, Pa. 18966

TOLERANCES UNLESS OTHERWISE SPECIFIED  
2 Place Decimal ±.010 METRIC  
3 Place Decimal ±.005 1 Place Dec. ±.25mm  
Angles ..... ±1' 2 Place Dec. ±.13mm

Made for: CW IND.  
Drawn by: DGW 10-28-2010  
Checked by:  
Approval:

Title: **ROCKER SWITCH ASSEMBLY**  
D.P./S.T. MOM.

Division: SWITCH  
Dwg. No. GRS-4021B-XXXX