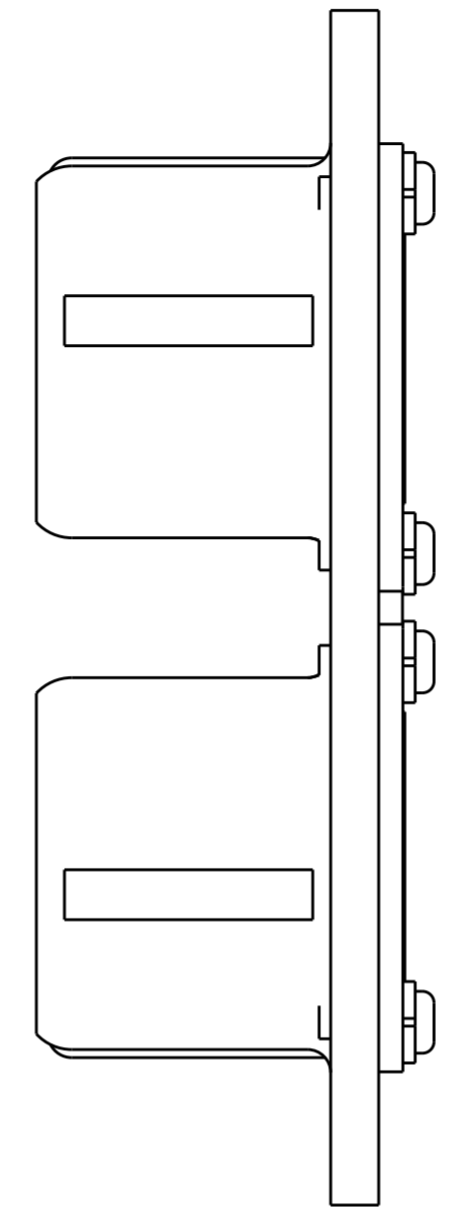
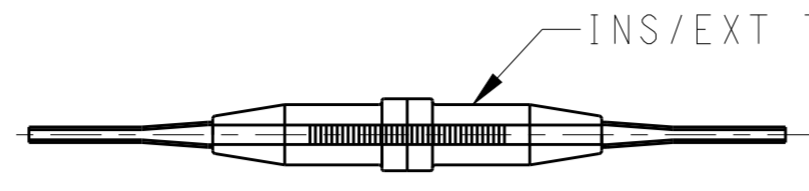
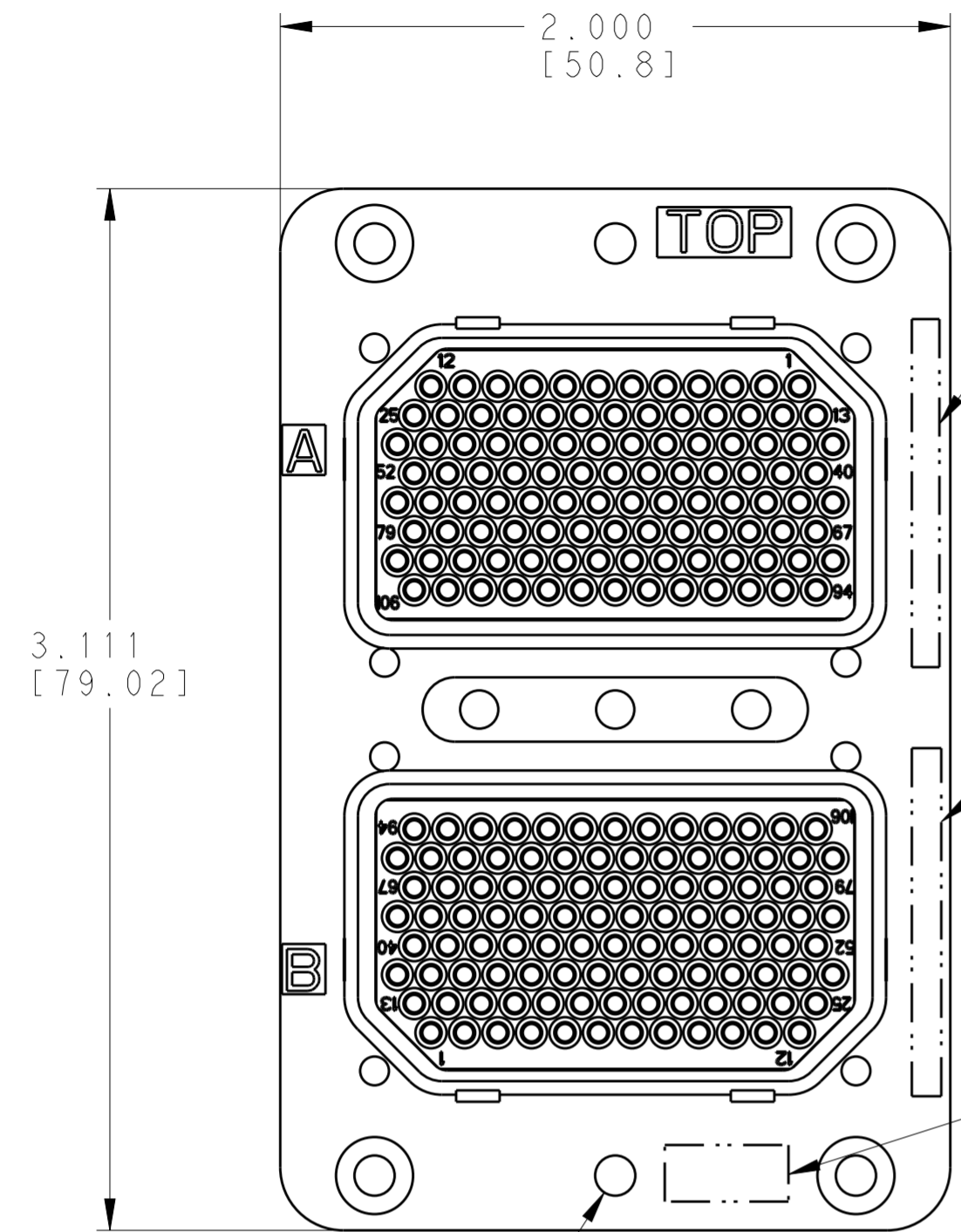


THIS DRAWING IS UNPUBLISHED. RELEASED FOR PUBLICATION
 © COPYRIGHT - BY - ALL RIGHTS RESERVED.

| REVISIONS | | | | |
|-----------|-----|---------------------------|-----------|-------|
| P | LTR | DESCRIPTION | DATE | APVD |
| E | | REDRAWN PER ECO 16-016447 | 23NOV2016 | CT EO |

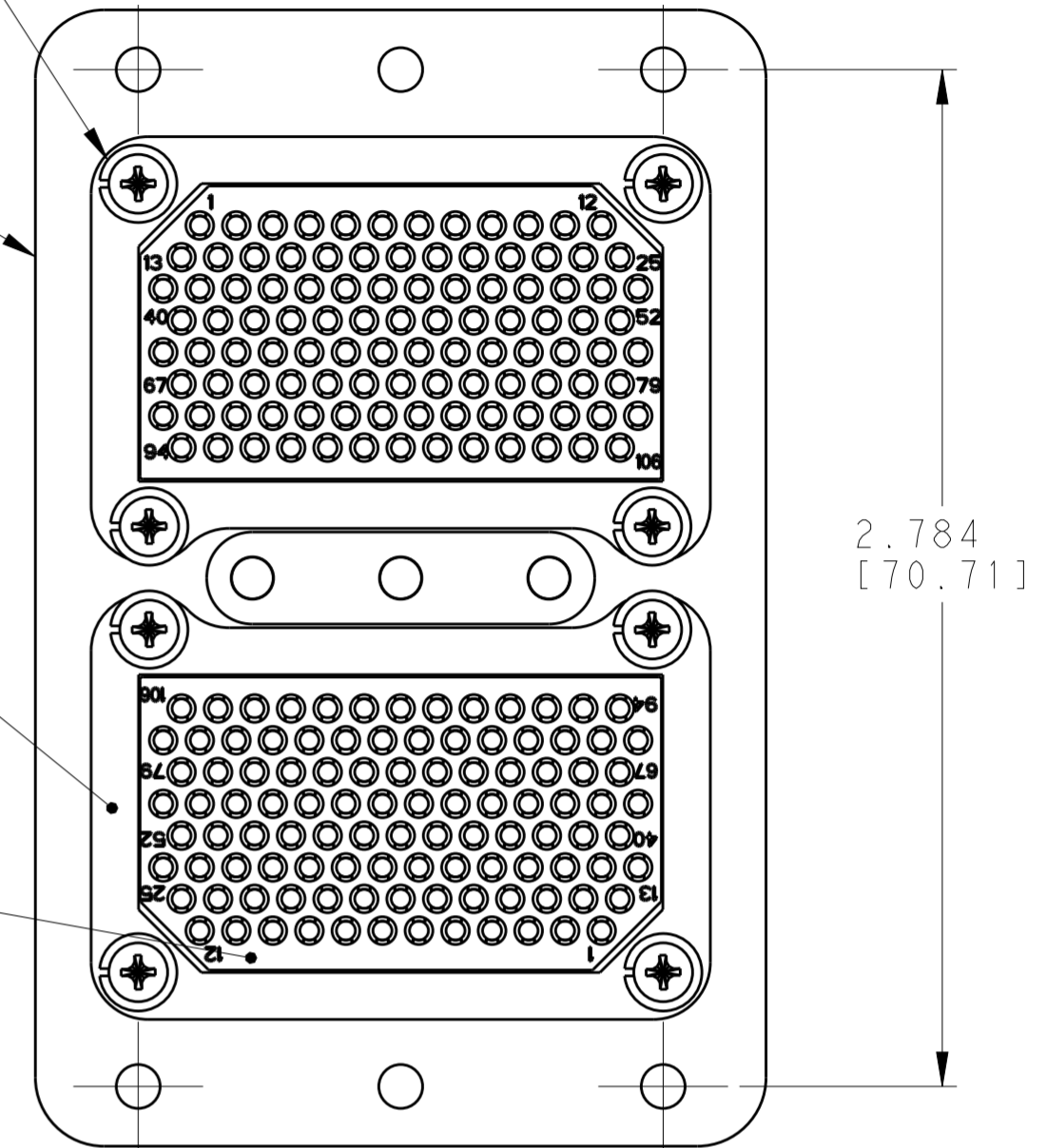


SCREWS & LOCKWASHERS
 MAT'L: STAINLESS STEEL
 FINISH: PASSIVATED

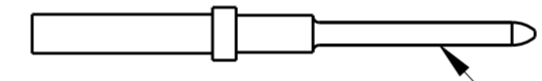
SHELL:
 MAT'L: ALUMINUM ALLOY
 FINISH: CADMIUM PLATED;
 YELLOW CHROMATE

RETAINER PLATE
 MAT'L: ALUMINUM ALLOY
 FINISH: BLUE ANODIZED

INSERT ASSY, 106 POSITION
 QTY = 2
 MAT'L: EPOXY MLDG CMPD



2X Ø .120 [3.05]



SCALE 4:1

SIZE 22 CRIMP PIN CONTACT (QTY = 212)
 MAT'L: LEADED COPPER PER ASTM B-152
 FINISH: GOLD PLATED PER ASTM-B-488
 OVER NICKEL PER AMS-QQ-N-290

NUT (QTY = 3)
 MAT'L: BRASS PER QQ-B-626
 FINISH CADMIUM PLATE PER QQ-P-416

LOCKWASHER (QTY = 3)
 MAT'L: 303 STAINLESS STEEL

POLARIZING POST (QTY = 3)
 MAT'L: STAINLESS STEEL
 FINISH: PASSIVATED

- 1 TE PART NUMBER, DESCRIPTIVE PART NUMBER AND DATE CODE MARKED IN AREAS SHOWN.
- 2 CONTACTS AND INSERTION/EXTRACTION TOOL ARE PACKAGED IN A SEPERATE CONTAINER AND SHIPPED WITH CONNECTOR.
- 3 INSERTION/EXTRACTION TOOL IS PACKAGED IN A SEPERATE CONTAINER AND SHIPPED WITH CONNECTOR.

| CONTACTS INSTALLED SEE SHEET #2 | DESCRIPTIVE NUMBER | KEYING | PART NUMBER |
|------------------------------------|------------------------|----------------------|-------------|
| 3 | M2P106P106P-00 (200) | PACKAGED UNASSEMBLED | 1218229-4 |
| 2 | M2P106P106P-2300 (200) | NOT INCLUDED | 1218229-3 |
| 2 | M2P106P106P-00 (206) | PACKAGED UNASSEMBLED | 1218229-2 |
| 2 | M2P106P106P-2300 (204) | NOT INCLUDED | 1218229-1 |

THIS DRAWING IS A CONTROLLED DOCUMENT.

DWN: C.C. THOMAS 22NOV2016
 CHK: E. OCHOA 11-23-16
 APVD: E. OCHOA 11-23-16

STE TE Connectivity

NAME: PLUG ASSEMBLY, ARINC 404
 M2P106P106P-XXXX (XXX)

SIZE: A2 CAGE CODE: 00779 DRAWING NO: C-1218229 RESTRICTED TO: -

MATERIAL: SEE CALLOUTS TOLERANCES UNLESS OTHERWISE SPECIFIED: SEE CALLOUTS

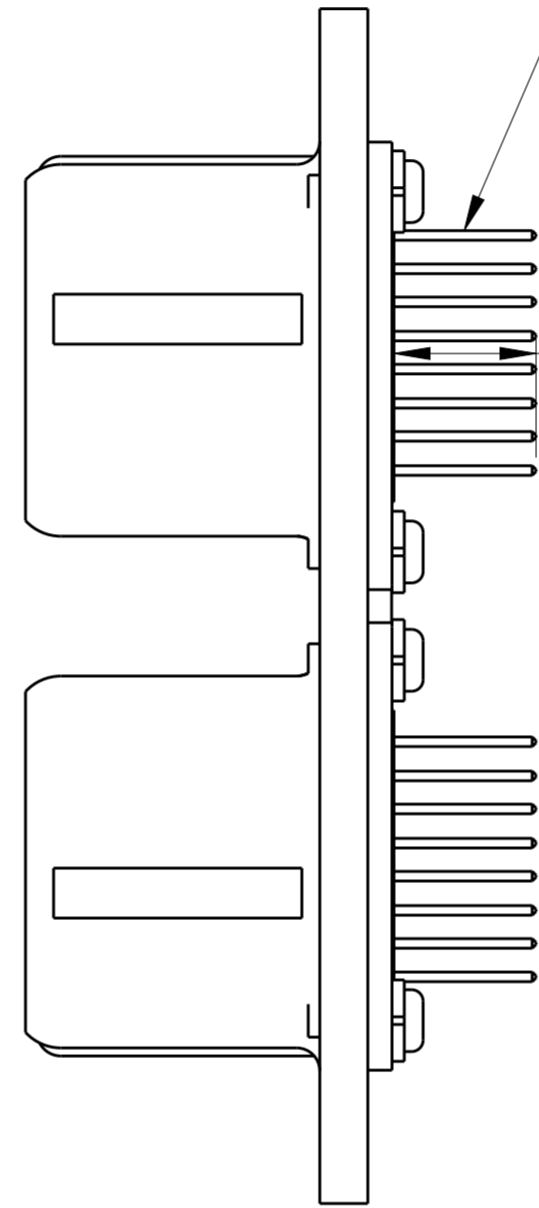
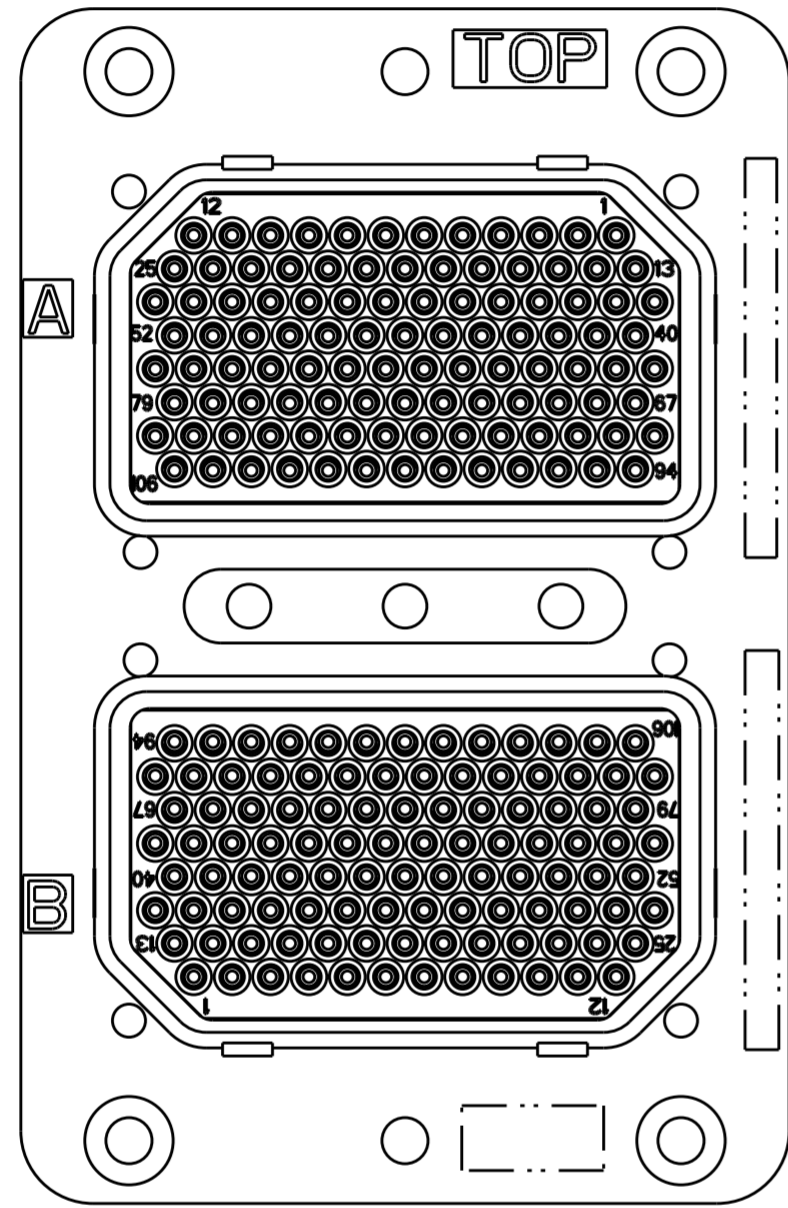
0 PLC ±
 1 PLC ±
 2 PLC ±
 3 PLC ±.005 [0.13]
 4 PLC ±
 ANGLES ±
 FINISH

APPLICATION SPEC: -
 WEIGHT: -

CUSTOMER DRAWING SCALE: 2:1 SHEET 1 OF 2 REV E

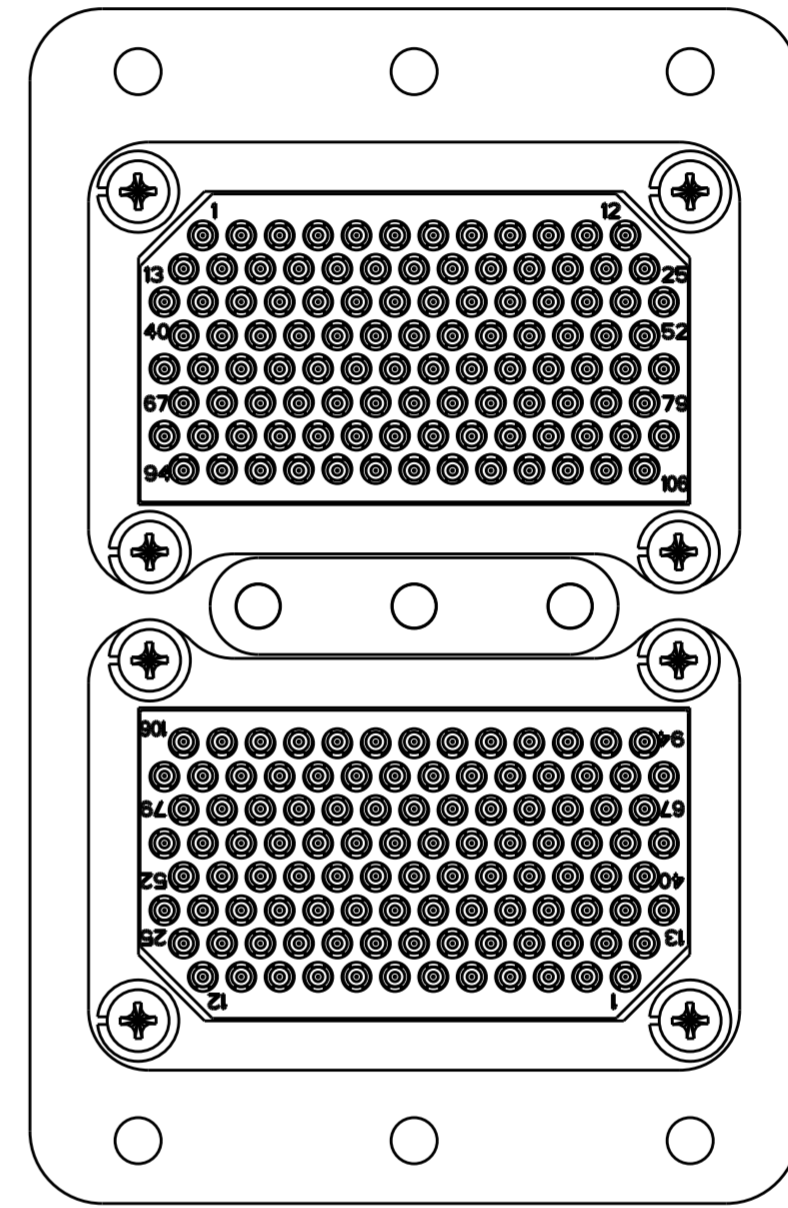
THIS DRAWING IS UNPUBLISHED. RELEASED FOR PUBLICATION
 © COPYRIGHT - BY - ALL RIGHTS RESERVED.

| REVISIONS | | | | |
|-----------|-----|-------------|------|------|
| P | LTR | DESCRIPTION | DATE | APVD |
| | | SEE SHEET 1 | | |
| | | | | |
| | | | | |



SIZE 22 POSTED PIN CONTACT
 MAT'L; LEADED COPPER
 FINISH: GOLD PLATED PER ASTM-B-288
 OVER NICKEL PER AMS-QQ-N-290
 (SOLDER DIPPED)

212X .360 MIN
 [9.14]
 (MEASURED FROM
 REAR OF INSERT)



1218229-4 SHOWN
 SAME AS 1218229-2
 EXCEPT AS SHOWN

| | | | | |
|--|--|---------------------------------|--|-------------------------|
| THIS DRAWING IS A CONTROLLED DOCUMENT. | | DWN C.C. THOMAS 22NOV2016 | TE Connectivity | |
| DIMENSIONS: INCHES [mm] | | CHK E. OCHOA 11-23-16 | | |
| TOLERANCES UNLESS OTHERWISE SPECIFIED: | | APVD E. OCHOA 11-23-16 | NAME PLUG ASSEMBLY, ARINC 404 M2P106P106P-XXXX (XXX) | |
| 0 PLC ± 1 PLC ± 2 PLC ± 3 PLC ±.005 [0.13] 4 PLC ± ANGLES ± FINISH | | PRODUCT SPEC - | SIZE A200779 | DRAWING NO C-1218229 |
| MATERIAL SEE CALLOUTS | | APPLICATION SPEC - | RESTRICTED TO - | SCALE 2:1 |
| CUSTOMER DRAWING | | WEIGHT - | SHEET 2 OF 2 | REV E |