

P/N: 1196960

Copyright

© 2015, FLIR Systems, Inc.

All rights reserved worldwide. Names and marks appearing herein are either registered trademarks or trademarks of FLIR Systems and/or its subsidiaries. All other trademarks, trade names or company names referenced herein are used for identification only and are the property of their respective owners.

Document identity

Publ. No.: 1196960

Release:

Commit: 23380

Language: en-US

Modified: 2015-02-24

Formatted: 2015-03-25

Corporate Headquarters

FLIR Systems, Inc.

27700 SW Parkway Ave.

Wilsonville, OR 97070

USA

Telephone: +1-503-498-3547

Website

<http://www.flir.com>

Customer support

<http://support.flir.com>

Disclaimer

Specifications subject to change without further notice. Camera models and accessories subject to regional market considerations. License procedures may apply. Products described herein may be subject to US Export Regulations. Please refer to exportquestions@flir.com with any questions.



General description	
This wide angle lens has a field of view almost double that of the standard lens. Perfect for wide or tall targets or when working in crowded spaces.	
Imaging and optical data	
Field of view (FOV)	45° × 33.8°
Minimum focus distance	0.20 m (0.66 ft.)
Focal length	9.66 mm (0.38 in.)
Spatial resolution (IFOV)	Depends on the IR resolution of the camera: 5.18 mrad for 160 × 120 pixels 4.14 mrad for 200 × 150 pixels 3.45 mrad for 240 × 180 pixels 2.59 mrad for 320 × 240 pixels
F-number	1.3
Physical data	
Weight	0.105 kg (0.231 lb.), incl. two lens caps
Size (L × D)	38 × 47 mm (1.5 × 1.9 in.)
Shipping information	
Packaging, type	Cardboard box
List of contents	<ul style="list-style-type: none"> • Lens • Lens case
Packaging, weight	0.33 kg (0.73 lb.)
Packaging, size	172 × 131 × 133 mm (6.8 × 5.2 × 5.2 in.)
EAN-13	7332558001141 4743254000834 (Estonia plant)
UPC-12	845188000134
Country of origin	Sweden

Compatible with the following products

- 62103-1102; FLIR T420 (incl. Wi-Fi and 15° lens)
- 62103-1103; FLIR T420 (incl. Wi-Fi and 45° lens)

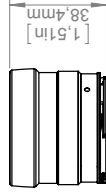
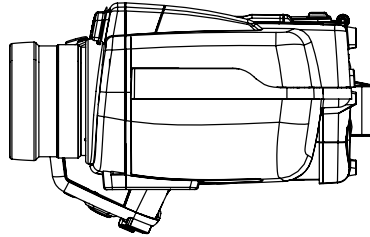
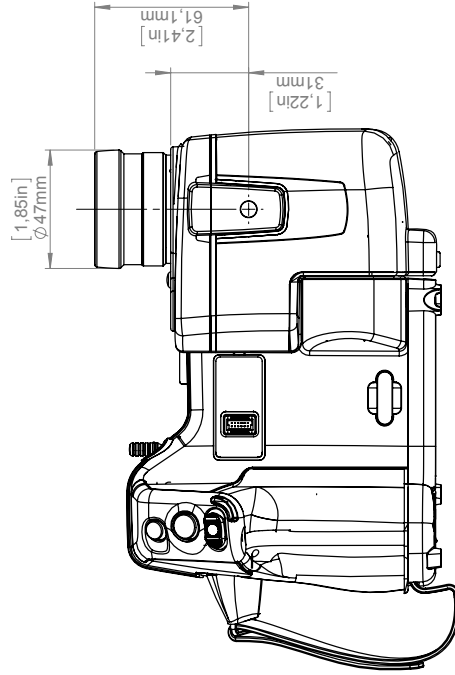
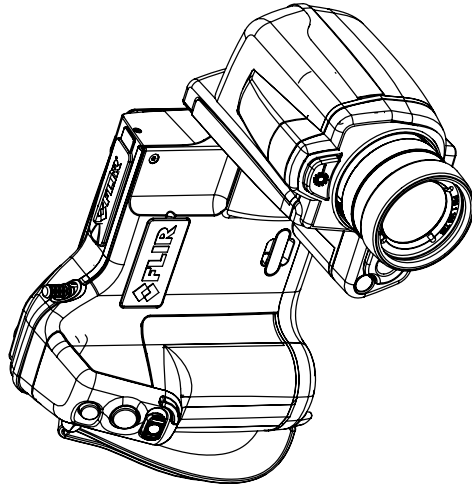
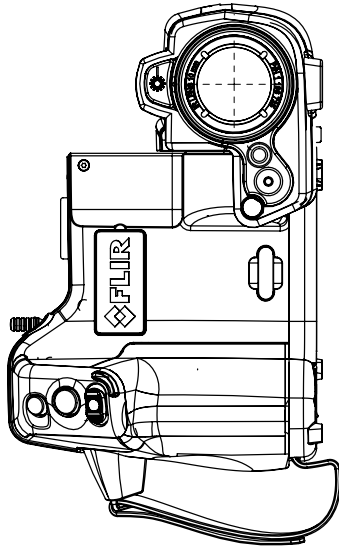
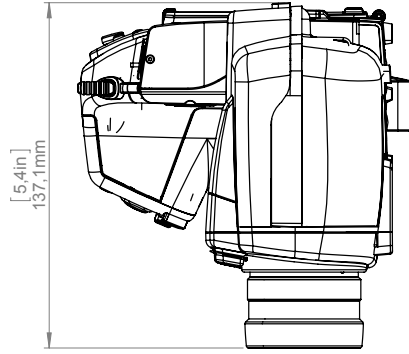
P/N: 1196960

© 2015, FLIR Systems, Inc.

#1196960; r. /23380; en-US

- 62103-1101; FLIR T420 (incl. Wi-Fi)
- 62103-1205; FLIR T420 with SC kit (incl. Wi-Fi and 45° lens)
- 62103-1501; FLIR T420bx (incl. Wi-Fi)
- 62104-2203; FLIR T430sc (incl. Wi-Fi)
- 62103-1301; FLIR T440 (incl. Wi-Fi)
- 62103-1701; FLIR T440bx (incl. Wi-Fi)
- 62104-1903; FLIR T450sc (incl. Wi-Fi)
- 62104-2801; FLIR T460 (incl. Wi-Fi)
- 48201-1001; FLIR A300
- 42701-1001; FLIR A300 (9 Hz)
- 42901-1001; FLIR A305sc
- 48201-1101; FLIR A310
- 42701-1101; FLIR A310 (9 Hz)
- 48001-1101; FLIR A315
- 42901-1101; FLIR A315 (9 Hz)
- 48201-1201; FLIR A320 Tempscreen
- 42701-1201; FLIR A320 Tempscreen (9 Hz)
- 48001-1001; FLIR A325sc
- 64502-0801; FLIR E33
- 64502-1001; FLIR E40
- 64501-0101; FLIR E40 (incl. Wi-Fi)
- 64501-0103; FLIR E40 with SC kit (incl. Wi-Fi and 45° lens)
- 64501-0501; FLIR E40bx (incl. Wi-Fi)
- 64502-1101; FLIR E50
- 64501-0201; FLIR E50 (incl. Wi-Fi)
- 64501-0601; FLIR E50bx (incl. Wi-Fi)
- 64502-1202; FLIR E60
- 64501-0302; FLIR E60 (incl. Wi-Fi)
- 64501-0702; FLIR E60bx (incl. Wi-Fi)
- 64501-0402; FLIR E63 (incl. Wi-Fi)

Camera with Lens IR f=10 mm (45°)

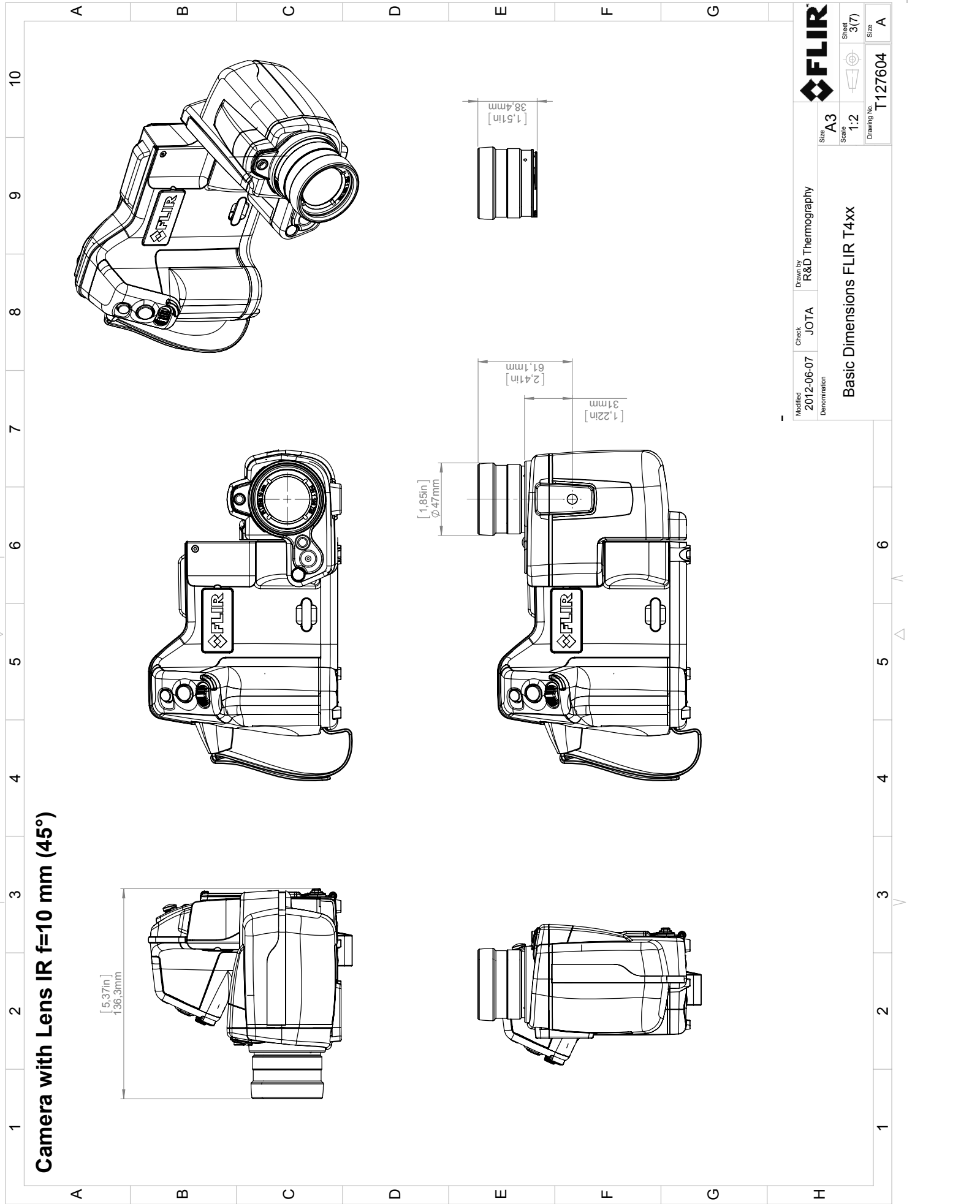
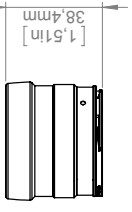
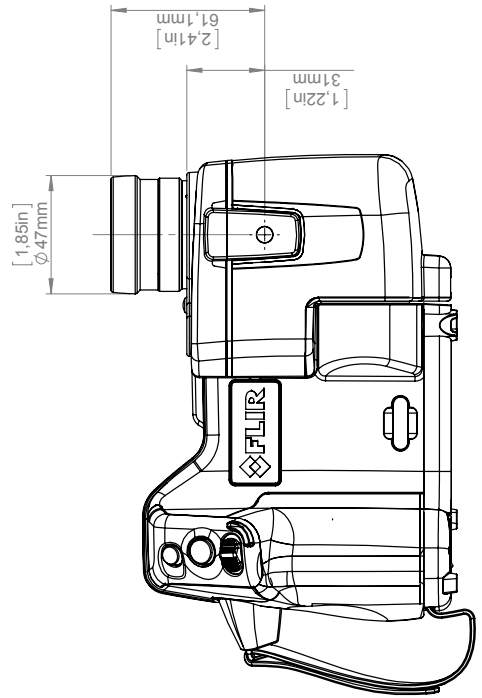
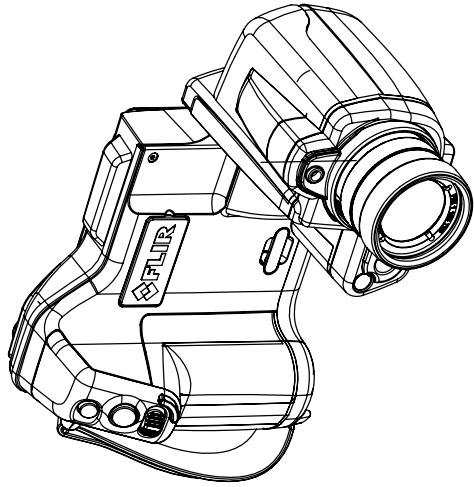
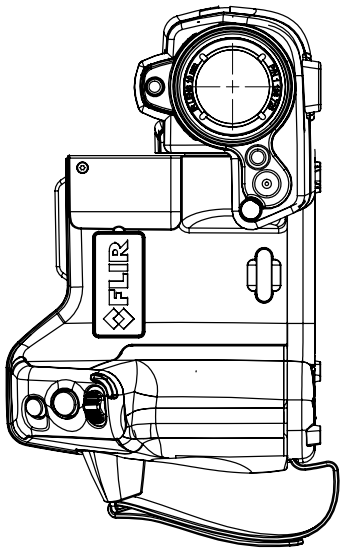
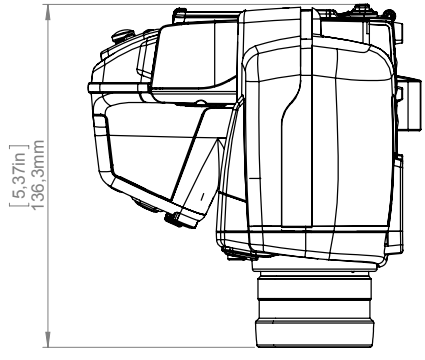


For additional dimensions see page 1

Modified 2012-04-18	Check CAHA	Drawn by R&D Thermography	Size A3	Sheet 3(7)
Denomination Basic dimensions FLIR Txxx/Bxxx			Scale 1:2	Sheet 3(7)
			Drawing No. T197905	Size B



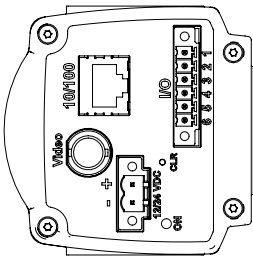
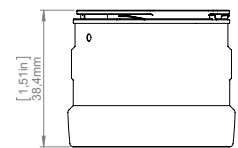
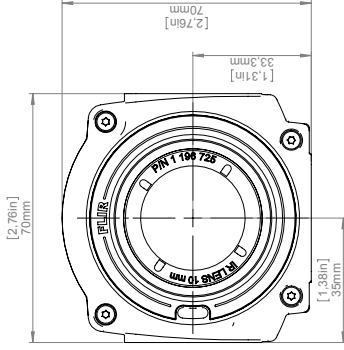
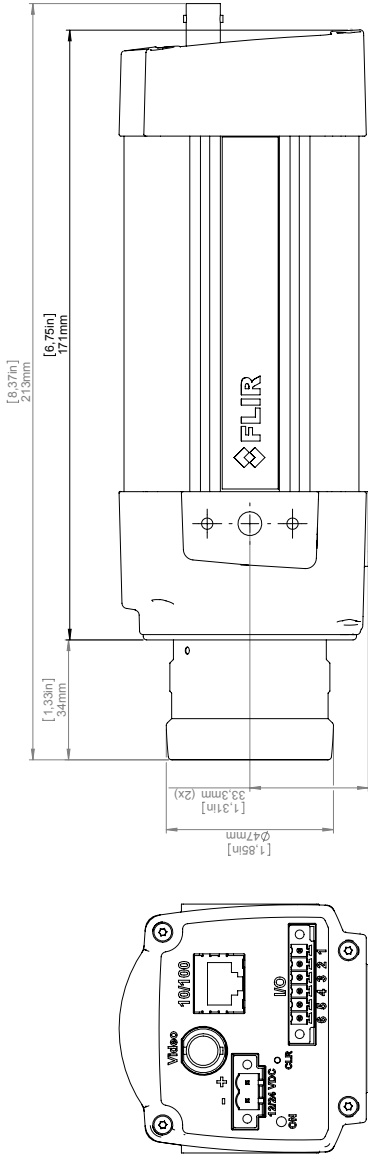
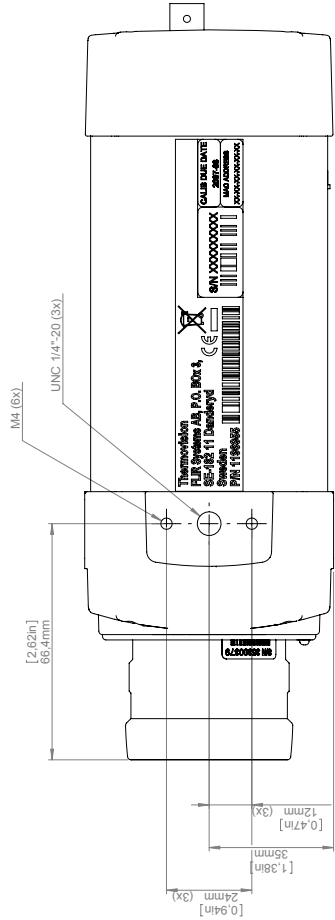
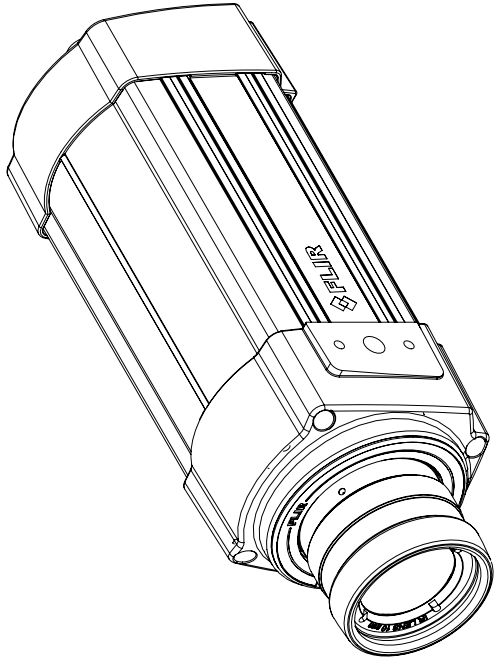
Camera with Lens IR f=10 mm (45°)



© 2012, FLIR Systems, Inc. All rights reserved worldwide. No part of this drawing may be reproduced, stored in a retrieval system, or transmitted in any form, or by any means, electronic, mechanical, photocopying, recording, or otherwise, without written permission from FLIR Systems, Inc. Specifications subject to change without further notice. Dimensional data is based on nominal values. Products may be subject to regional market considerations, license procedures may apply. Product may be subject to US Export Regulations. Please refer to exportquestions@flir.com with any questions. Diversion contrary to US law is prohibited.

Modified	2012-06-07	Check	JOTA	Drawn by	R&D Thermography	FLIR
Denomination	Basic Dimensions FLIR T4xx			Size	A3	Sheet
				Scale	1:2	3(7)
				Drawing No.	T127604	Size
						A

Camera with Lens IR f=10 mm (45°)



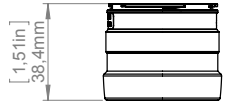
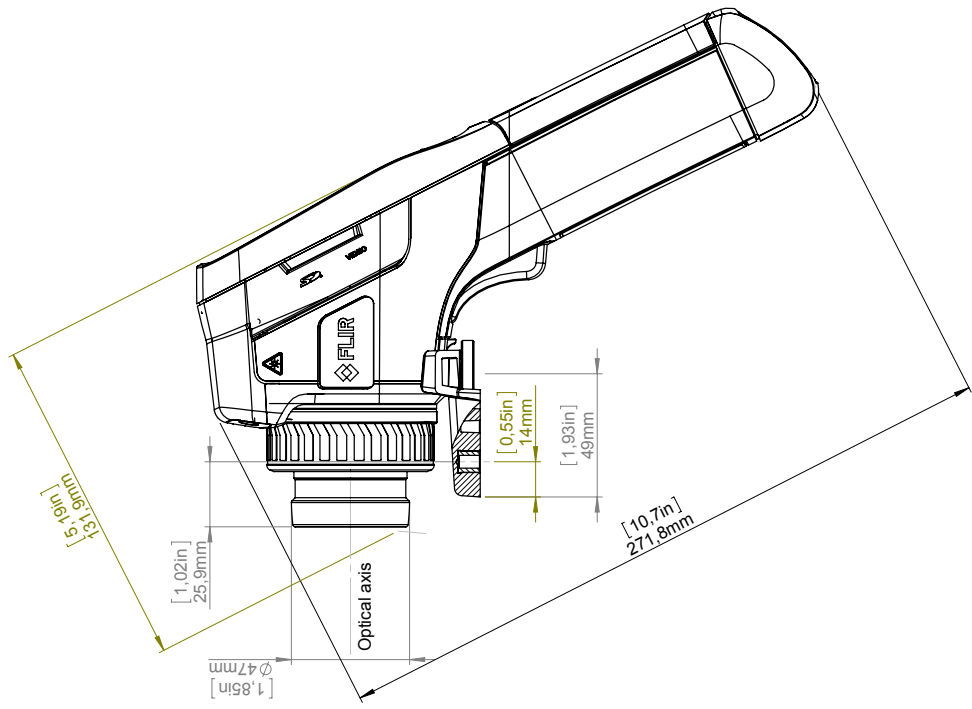
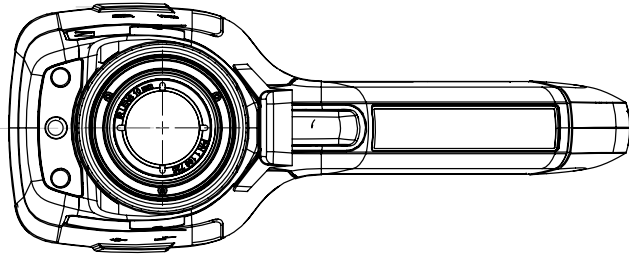
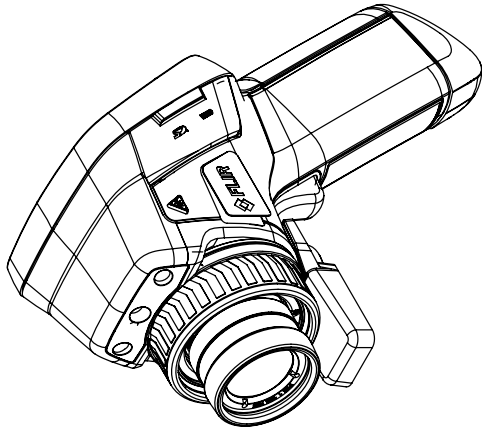
For additional dimensions see page 1

Modified	2012-04-18	Checked	CAHA	Drawn by	R&D Thermography	Size	A3
Denominator						Scale	1:1
Drawing No.						Sheet	30
-						Size	A
-						Sheet	T-125002



Basic dimensions FLIR A3xx/SC3xx

Camera with Lens IR f=10 mm (45°)



For additional dimensions see page 1

Modified 2012-04-18	Check CAHA	Drawn by R&D Thermography	FLIR®
Denomination Basic dimensions FLIR Exx			Size A3
			Scale 1:2
			Sheet 2(4)
			Size A
			Drawing No. T126960

© 2012 FLIR Systems, Inc. All rights reserved worldwide. No part of this drawing may be reproduced, stored in a retrieval system, or transmitted in any form, or by any means, electronic, mechanical, photocopying, recording, or otherwise, without written permission from FLIR Systems, Inc. Specifications subject to change without further notice. Dimensional data is based on nominal values. Products may be subject to regional market considerations. License procedures may apply. Product may be subject to US Export Regulations. Please refer to exportquestions@flir.com with any questions. Diversion contrary to US law is prohibited.