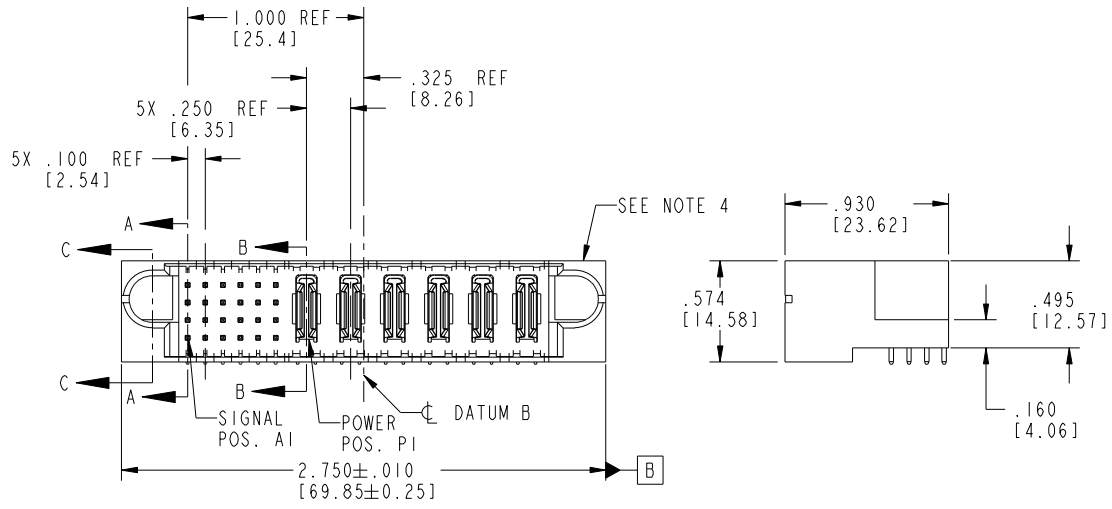


Tous droits strictement reserves. Reproduction ou communication a des tiers interdite sous quelque forme que ce soit sans autorisation écrite du propriétaire. Propriete de c FCI. Droits de reproduction FCI.



All rights strictly reserved. Reproduction or issue to third parties in any form whatever is not permitted without written authority from the proprietor. Property of FCI. Copyright FCI.

PRODUCT NO.	ROWS	SIGNAL					POWER						E2	
		E1	1	2	3	4	5	6	P1	P2	P3	P4		P5
51731-025-- NOTE ③	D C B A		V	V	V	V	V	PC	PC	PC	PC	PC	PC	



CODE	DIM "M" MATING LENGTH	CONTACT TYPE
N	.270 [6.86]	SIGNAL
P	.270 [6.86]	SIGNAL
Q	.270 [6.86]	SIGNAL
V	.270 [6.86]	SIGNAL
PC	N/A [N/A]	POWER

mat'l code				SEE NOTE 2		tolerances unless otherwise specified		CUSTOMER		FCI	
ltr	ecn no.	dr	date	linear	.XX±.01/0.X±0.3	projection	COPY	www.fciconnect.com			
A	V04-0924	TAB	09/14/04	angles	.XXX±.005/0.XX±0.13		title	24S + 6P			
B	DG05-0076	SW	04/10/05		.XXX±.0020/0.XXX±0.051			RIGHT ANGLE SOLDER HEADER			
C	DG05-0531	GuoJM	12/15/05		0°±2°	INCH/MM	product family	PwrBlade	code		
D	DG08-0253	SH	09/13/08	dr	T. BRUNGARD	09/04/04	size	dwg no	213		
				engr	M. GRAY	09/14/04	scale	A		51731-025	
				chr	M. GRAY	09/14/04	1:1		sheet		
				appd	M. GRAY	09/14/04			1 of 4		
sheet index	revision sheet	D	D	D	D						
		1	2	3	4						

cage code 22526

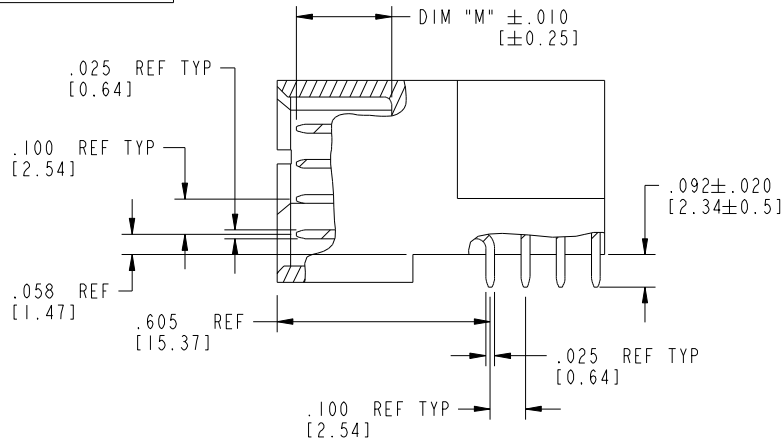
Pro/E

Tous droits strictement réservés. Reproduction ou communication à des tiers interdite sous quelque forme que ce soit sans autorisation écrite du propriétaire. Propriété de c.FCI. Droits de reproduction FCI.

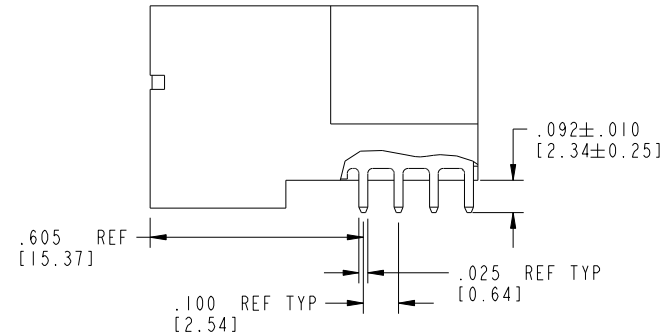


All rights strictly reserved. Reproduction or issue to third parties in any form whatever is not permitted without written authority from the proprietor. Property of FCI. Copyright FCI.

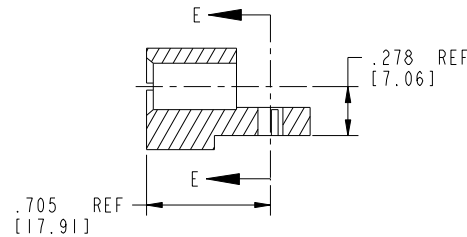
PRODUCT NUMBER
51731-025--
NOTE ③



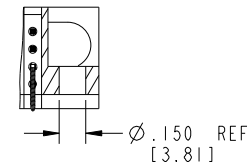
BROKEN-OUT SECTION A-A
SCALE 2:1



BROKEN-OUT SECTION B-B
SCALE 2:1



SECTION C-C



PARTIAL SECTION E-E

mat'l code		SEE NOTE 2		tolerances unless otherwise specified		CUSTOMER		FCI		www.fciconnect.com	
ltr	ecn no.	dr	date	linear	.XX±.01/0.X±0.3	COPY		title			
D					.XXX±.005/0.XX±0.13	projection		24S + 6P			
				angles	.XXX±.0020/0.XXX±0.051			RIGHT ANGLE SOLDER HEADER			
				dr	0°±2°	INCH/MM		product family		PwrBlade	code
				enr	T. BRUNGARD 09/04/04	scale		size		dwg no	213
				chr	M. GRAY 09/14/04	1:1		A		51731-025	sheet
				appd	M. GRAY 09/14/04						2 of 4
sheet index	revision sheet										

Pro/E

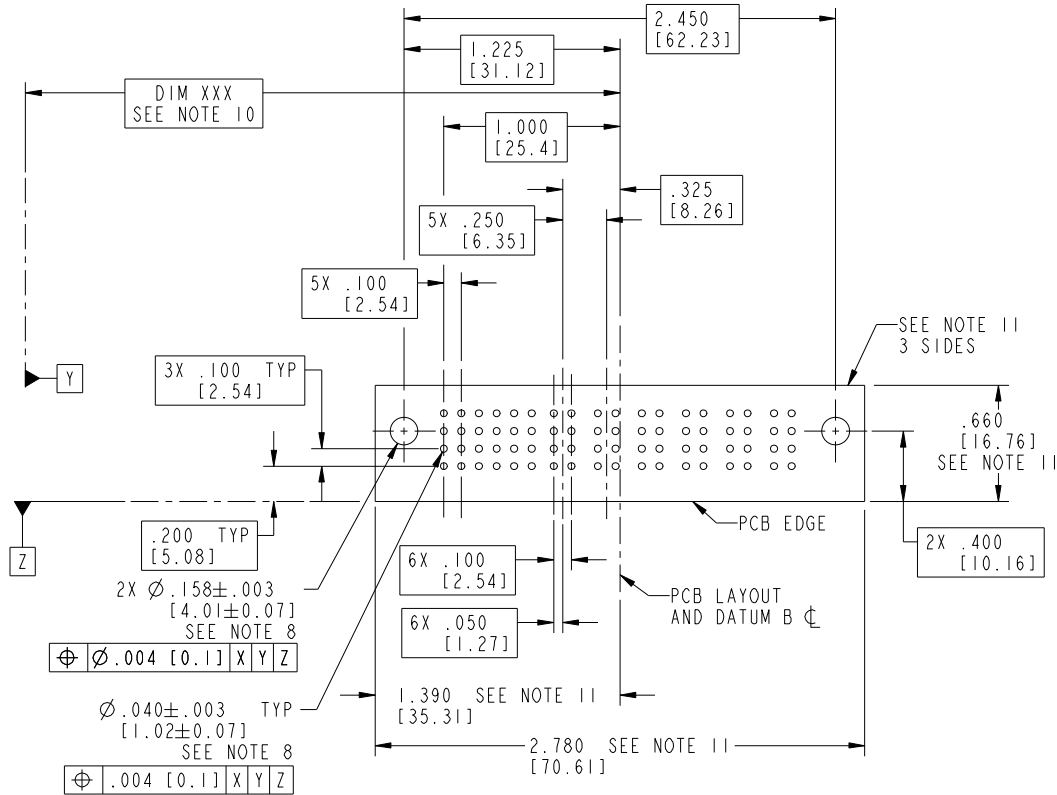
cage code 22526

Tous droits strictement réservés. Reproduction ou communication à des tiers interdite sous quelque forme que ce soit sans autorisation écrite du propriétaire. Propriété de c.FCI. Droits de reproduction FCI.



All rights strictly reserved. Reproduction or issue to third parties in any form whatever is not permitted without written authority from the proprietor. Property of FCI. Copyright FCI.

PRODUCT NUMBER
51731-025--
NOTE ③



RECOMMENDED PCB LAYOUT

mat'l code				SEE NOTE 2		tolerances unless otherwise specified		CUSTOMER		FCI	
ltr	ecn no.	dr	date	linear	.XX±.01/0.X±0.3	projection	COPY	www.fciconnect.com			
D					.XXX±.005/0.XX±0.13			title 24S + 6P			
				angles	.XXX±.0020/0.XXX±0.051			RIGHT ANGLE SOLDER HEADER			
				dr	0°±?			product family PwrBlade		code 213	
				enr	T. BRUNGARD 09/04/04		INCH/MM	size dwg no		sheet 213	
				chr	M. GRAY 09/14/04		scale	A 51731-025		3 of 4	
				appd	M. GRAY 09/14/04		1:1				
sheet index		revision sheet									

cage code 22526

Pro/E

Tous droits strictement réservés. Reproduction ou communication à des tiers interdite sous quelque forme que ce soit sans autorisation écrite du propriétaire. Propriété de c.FCI. Droits de reproduction FCI.



All rights strictly reserved. Reproduction or issue to third parties in any form whatever is not permitted without written authority from the proprietor. Property of FCI. Copyright FCI.

PRODUCT NUMBER
51731-025--
NOTE(3)

NOTES:

1. DIMENSIONS AND TOLERANCES ARE IN ACCORDANCE WITH ASME Y14.5M, 1994 UNLESS OTHERWISE SPECIFIED.

CONNECTOR NOTES:

(2) HOUSING MATERIAL: UL 94 V-0 GLASS FILLED HIGH-TEMP THERMOPLASTIC
POWER CONTACT MATERIAL: COPPER ALLOY
SIGNAL PIN MATERIAL: COPPER ALLOY

3. PLATING:
⚠ SEE ITEM 1 & 2 IN PRINT 10064183 FOR PLATING SPEC OF 51731-025 AND 51731-025LF RESPECTIVELY

(4) MANUFACTURER'S NAME, P/N, AND DATE CODE TO APPEAR ON THIS SURFACE.

5. PRODUCT SPECIFICATION GS-12-149.
APPLICATION SPECIFICATION BUS-20-067.

6. PACKAGED IN TRAYS.

PCB NOTES:

7. ALL HOLE DIAMETERS ARE FINISHED HOLE SIZE.

(8) MOUNTING HOLES, WHERE APPLICABLE, ARE UNPLATED.

(9) $\varnothing .0453 \pm .0010$ [1.151 ± 0.025] DRILLED HOLES PLATED WITH .0003 [0.008] MIN SnPb OVER .001 [0.03] TO .003 [0.08] Cu PLATING TO ACHIEVE $\varnothing .040 \pm .003$ [1.02 ± .07] HOLE.

(10) "DIM XXX" TO BE DETERMINED BY THE CUSTOMER.

(11) CONNECTOR KEEP-OUT ZONE.

12: A ⚠ SYMBOL WILL BE NEXT TO ANY DIMENSION, VIEW, OR NOTE WHICH HAS BEEN MODIFIED WITH CURRENT DRAWING VERSION.

mat'l code		SEE NOTE 2		tolerances unless otherwise specified		CUSTOMER		FCI		www.fciconnect.com	
ltr	ecn no.	dr	date	linear	.XX±.01/0.X±0.3	COPY		projection		title	
D					.XXX±.005/0.XX±0.13			⊕		24S + 6P	
				angles	.XXX±.0020/0.XXX±0.051			INCH/MM		RIGHT ANGLE SOLDER HEADER	
				dr	0° ± 2°			product family		code	
				enr	T. BRUNGARD 09/04/04	scale		PwrBlade		213	
				chr	M. GRAY 09/14/04	1:1		size		sheet	
				appd	M. GRAY 09/14/04			A		4 of 4	
sheet index		revision sheet									

cage code 22526