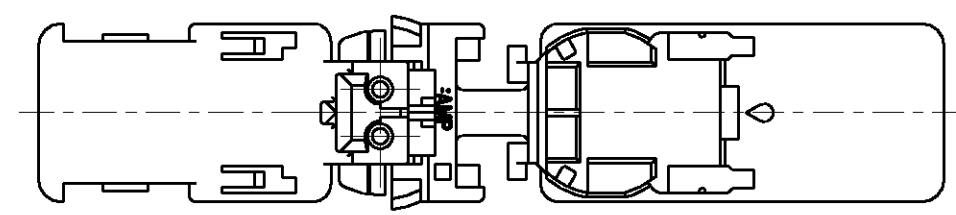
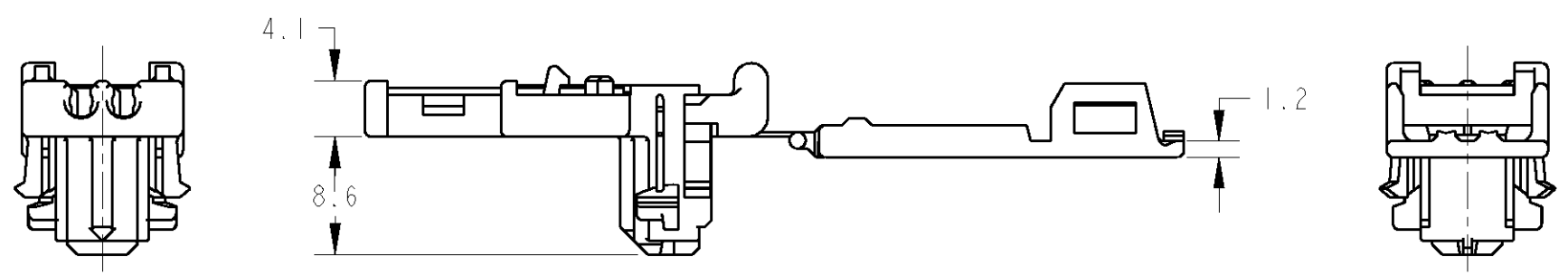
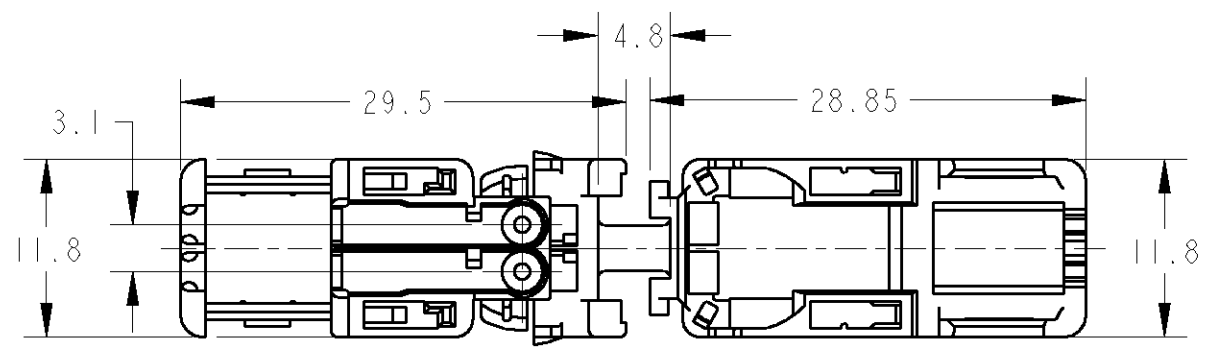
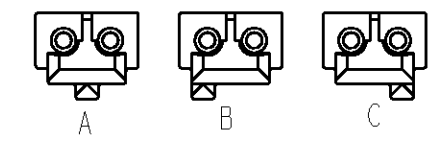


THIS DRAWING IS UNPUBLISHED. RELEASED FOR PUBLICATION 2000
 © COPYRIGHT 2000 BY TYCO ELECTRONICS CORPORATION. ALL RIGHTS RESERVED.

LOC	DIST	REVISIONS						
		P	LTR	DESCRIPTION	ECN	DATE	DWN	APVD
J	-		O	RELEASED	FJ00-1865-00	30NOV2000	T.H	N.S
			A	REVISED	FJ00-1722-01	30JUL2001	T.H	N.S
			B	REVISED	FJ00-2489-01	23OCT2001	T.H	H.Y
			C	REVISED	FJA0-0420-04	05JUL04	A.O	H.Y



1. APPLICABLE TERMINAL P/N: 353376 (WIRE RANGE: AVSS, CAVS 0.3~0.5mm²)
APPLICABLE FERRITE P/N: 353379
 2. THIS PRODUCT SHOULD BE USED WITH THE IIDIA SQUIB CONNECTOR SLIM TYPE LOCKING BUTTON (P/N: 1376689).
 3. MATING SHORT-CIRCUIT RING PART NUMBER: 699638, 1376766, 1473369
 4. ABOUT THE FORM OF INTERFACE, SEE THE DRAWING OF SHORT-CIRCUIT RING.
 5. INSTRUCTION SHEET: 411-5973.
1. 適用端子P/N: 353376 (AVSS, CAVS 0.3~0.5mm²)
適用フェライトP/N: 353379
 2. 本製品は、IIDIA SQUIB CONNECTOR SLIM TYPE LOCKING BUTTON (P/N: 1376689) を装着して使用する。
 3. 本製品が適応するショートサーキットリング品番は、699638, 1376766, 1473369
 4. 嵌合相手形状は、ショートサーキットリング図面を参照のこと。
 5. 取扱説明書: 411-5973



RIB POSITION

RIB POSITION	COLOR	PART NUMBER
C	ORANGE	1376688-3
B	YELLOW	1376688-2
A	YELLOW	1376688-1

<small>THIS DRAWING IS A CONTROLLED DOCUMENT FOR TYCO ELECTRONICS CORPORATION IT IS SUBJECT TO CHANGE AND THE CONTROLLING ENGINEERING ORGANIZATION SHOULD BE CONTACTED FOR THE LATEST REVISION.</small>		DWN T.HAYASHI 30NOV2000 CHK N.SAI 30NOV2000 APVD N.SAI 30NOV2000		tyco Tyco Electronics AMP K.K. Electronics Kawasaki, Japan	
DIMENSIONS: 単位: 概 mm		TOLERANCES UNLESS OTHERWISE SPECIFIED: ±0.2 0-PLC ± 1-PLC ±0.1 2-PLC ±0.01 3-PLC ±0.001 4-PLC ±0.0001 ANGLES ±1'00"		PRODUCT SPEC 108-5679 APPLICATION SPEC 取付適用規格	
MATERIAL 材料 PBT		FINISH 仕上 SEE TABLE		WEIGHT 1.6g	
CUSTOMER DRAWING				SIZE A3 CAGE CODE 00779 DRAWING NO 1376688 RESTRICTED TO -	
				SCALE 3:1 SHEET 1 OF 1 REV C	