

5

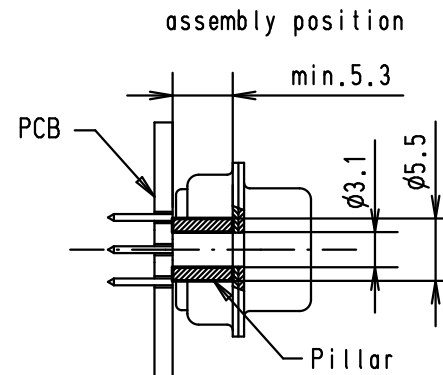
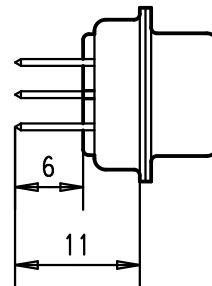
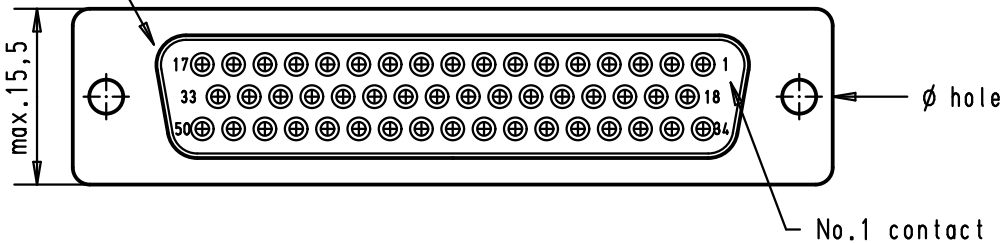
4

3

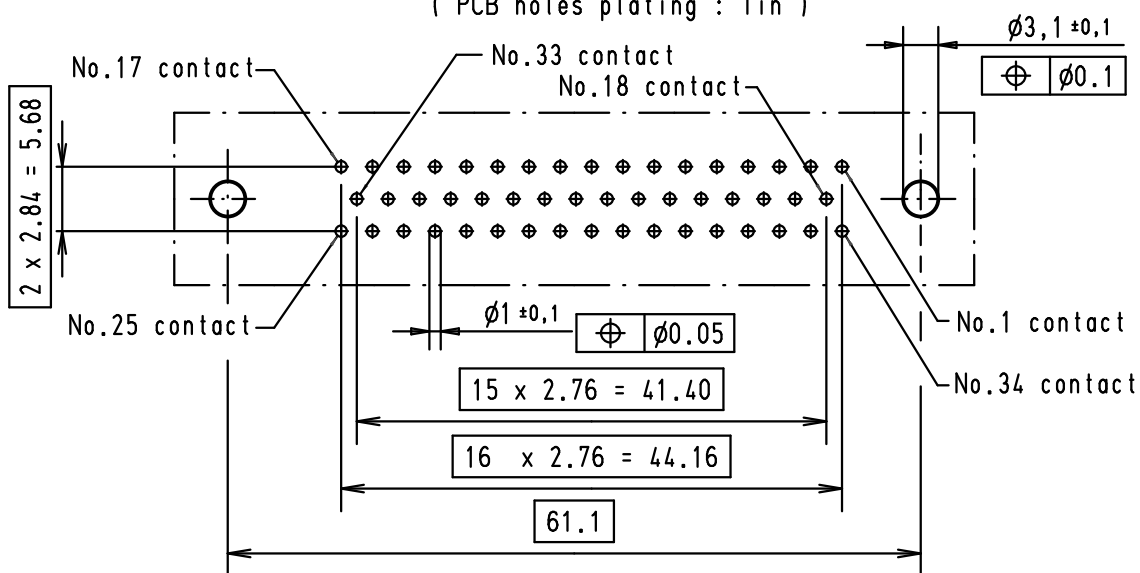
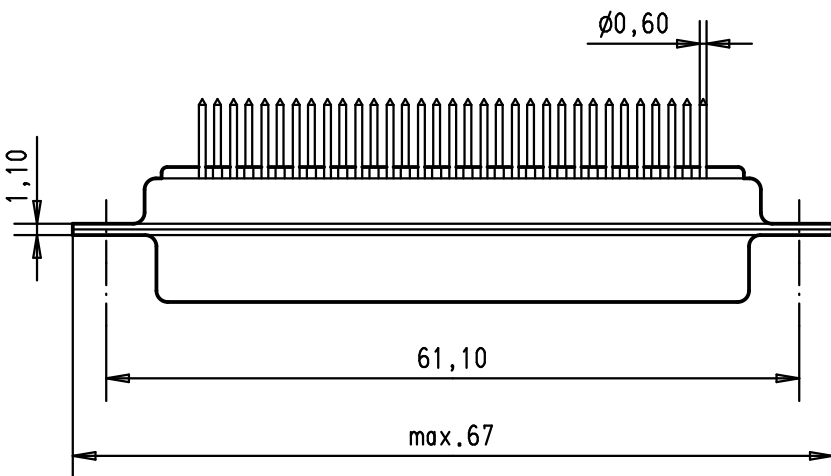
2

1



Mating face according to : MIL-C-24308 / DIN 41652 / CECC 75301-802



PCB layout hole component side
(PCB holes plating : Tin)



A

| Part number | ø hole | Performance level | Mod. | Dot. | Name | Dot. | Name |  All Dim. in mm Orig. Size DIN A 4 | D-Sub, Female, Straight, 50 Poles with turned solder contacts and hole | Maßstab/ Scale | |
|----------------|-----------|-------------------|-------|-----------|------|-------------------------------|-----------|---|--|----------------------|---|
| 09 67 050 4756 | 3.1 ± 0.1 | 1 | 32991 | 01/09/05 | JMDR | Detail. | 07/feb/01 | | | jfb | 1.5:1 |
| 09 67 050 4755 | 3.1 ± 0.1 | 2 | 29766 | 09-APR-02 | CV | Insp. | | | | | |
| 09 67 050 4754 | 3.1 ± 0.1 | 3 | 27993 | 04/04/01 | AF | Stand. | | | | | |
| | | | 27974 | 07/feb/01 | jfb | HARTING EURL F-95972 Paris | | | TB 0967050475x | Blatt/ Page 1 / 2 | |
| Part number | ø hole | Performance level | Mod. | Dot. | Name | | | | | |  |