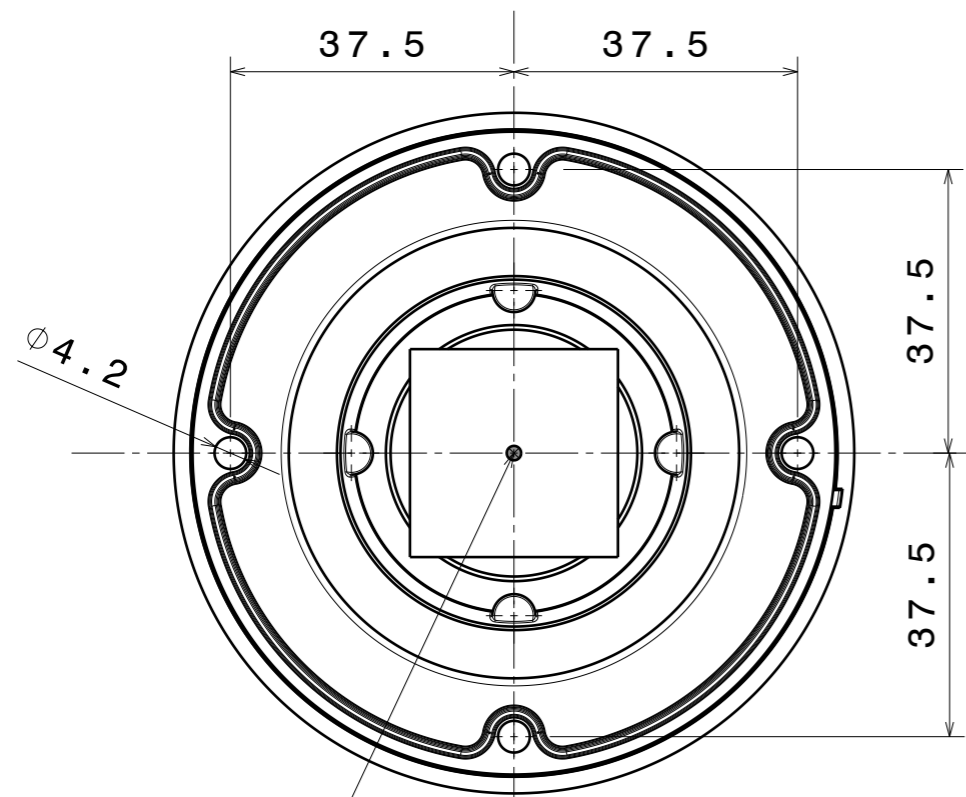
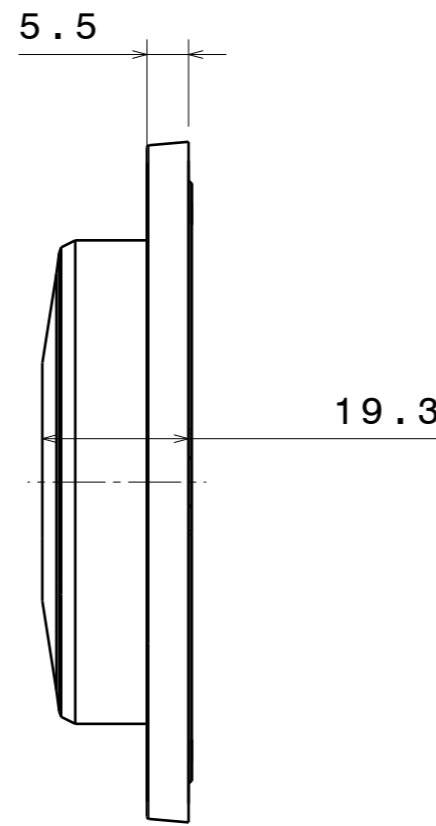


NOTE: Maximum recommended tightening torque for STELLA-FRAME is 0,4Nm

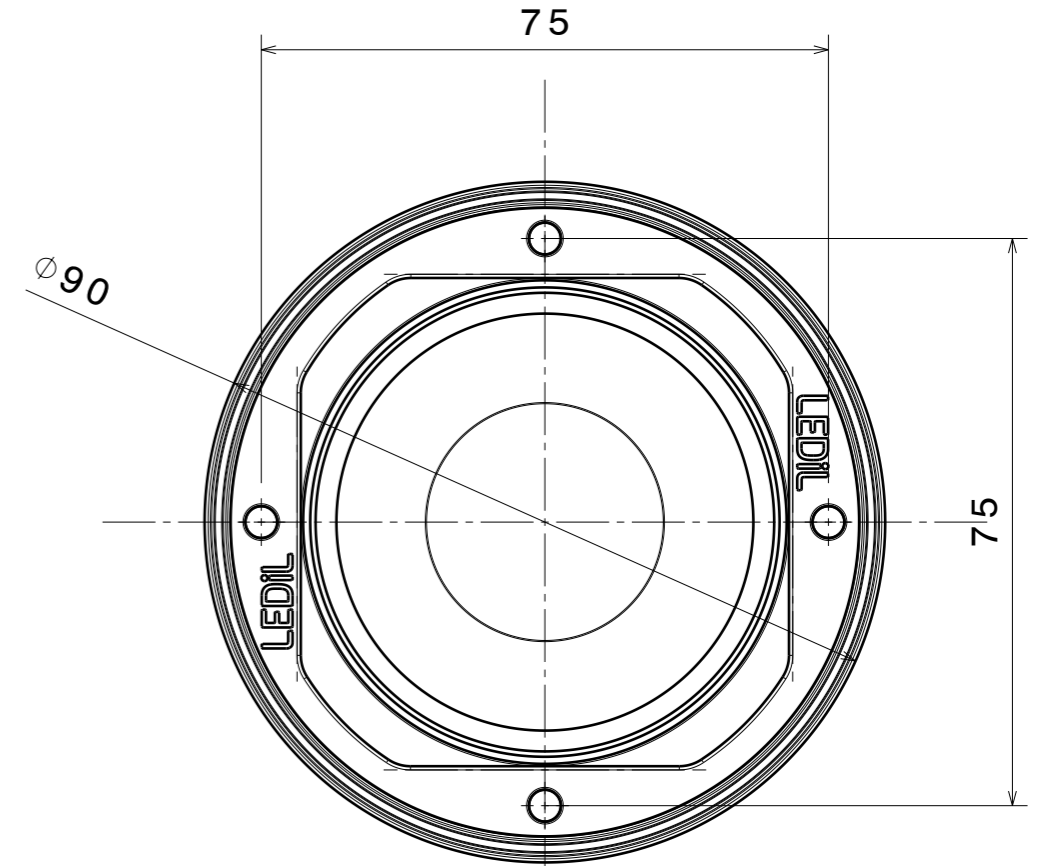


LED Center position

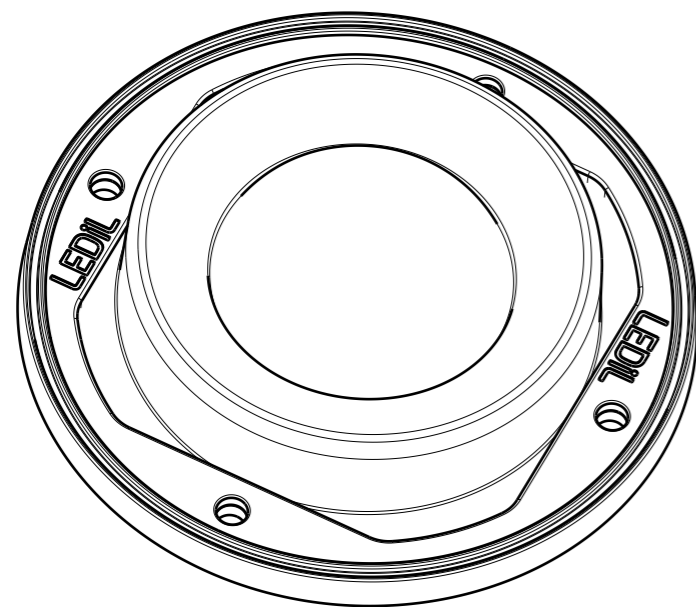
Bottom view



Right view



Front view



Isometric view

Lens Material: Optical grade LSR
Frame material: PA, black

Tolerances if not otherwise shown
According to DIN ISO 2768-1
Linear measures: class V
Please note that due to the elasticity of products made of silicone actual measured values may vary, and therefore typical tolerance values may not be applied.

LEDiL Ledil Oy
Salorankatu 10
FIN 24240 SALO
Finland

THIRD ANGLE PROJECTION:

DRAWING TITLE
STELLA-HB datasheet

This drawing is the property of LEDiL Oy. It may not be reproduced, copied or communicated without a written agreement with LEDiL Oy."

| | | | |
|-------|-------------|------------|-----------|
| SIZE | PART NUMBER | | |
| A3 | FN14074 | | |
| SCALE | 1:1 | WEIGHT (g) | SHEET 1/1 |