

THIS DRAWING IS UNPUBLISHED. RELEASED FOR PUBLICATION
 © COPYRIGHT - BY TYCO ELECTRONICS CORPORATION. ALL RIGHTS RESERVED.

LOC	DIST	REVISIONS					
GZ	00	P	LTR	DESCRIPTION	DATE	DWN	APVD
		A		NEW FORMAT & EC0720-0054-04	02FEB04	MD	WS

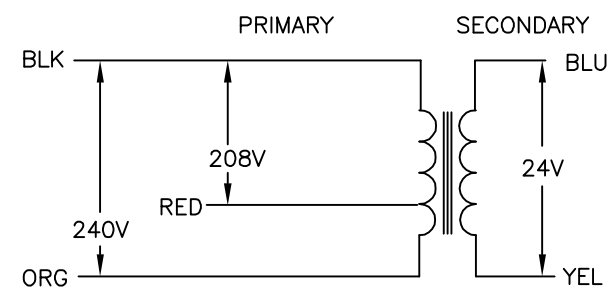
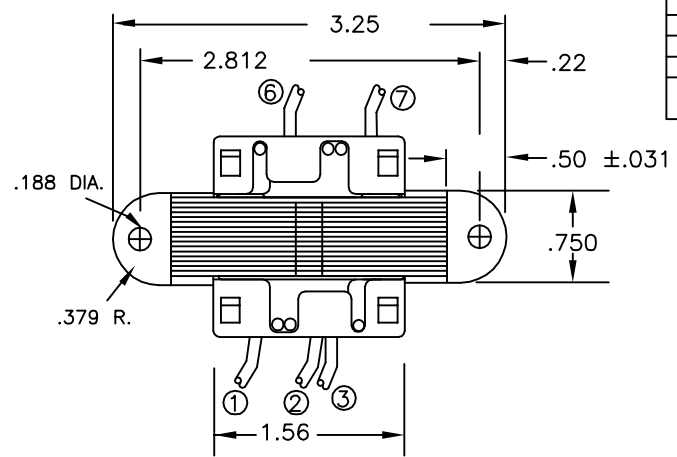
ALL LEADS 18AWG-UNLESS OTHERWISE SPECIFIED

PRIMARY					
LEAD NO.	1	2	3	4	5
VOLTAGE	COM	208	240		
COLOR	BLK	RED	ORG		
LENGTH	12.0	12.0	12.0		
STRIP LENGTH	.50	.50	.50		

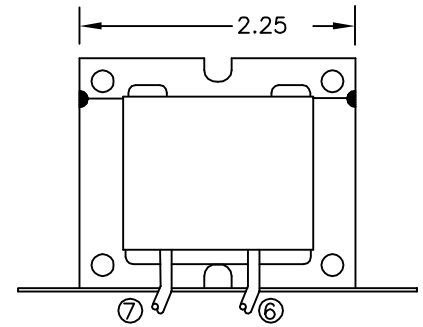
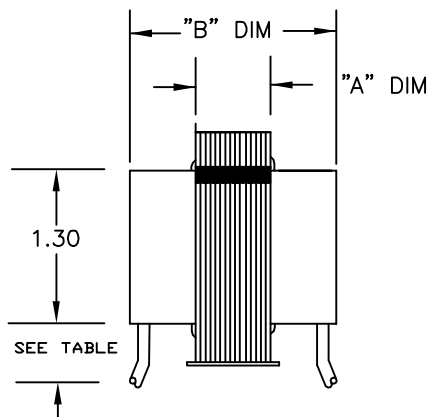
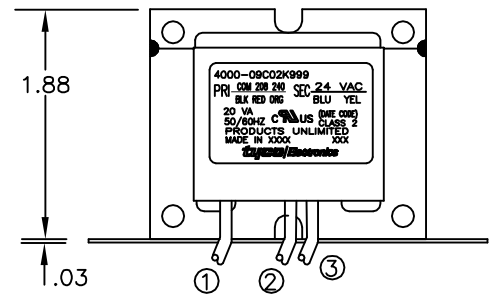
- NOTES
- DIMENSIONS FOR REFERENCE ONLY.
 - ALL LEADS +1"/-0" TOL.
 - STRIP TOL. ±1/32
 - WINDING PROTECTION-INHERENTLY LIMITING

CERTIFICATION: UL & CSA FILE NO. E87824

SECONDARY				
LEAD NO.	6	7	8	9
VOLTAGE	24	VAC		
COLOR	BLU	YEL		
LENGTH	12.0	12.0		
STRIP LENGTH	.50	.50		



SCHMATIC



4000-09C02K999
 PRI. 208/240 SEC. 24 VAC.
 BLK RED ORG SEC. BLU YEL
 20 VA 50/60Hz CLASS 2
 PRODUCTS UNLIMITED
 MADE IN XXXX
 Tyco Electronics

CUST. NO.	TYCO PART NUMBER
-	6-1611449-0

THIS DRAWING IS A CONTROLLED DOCUMENT.		DWN	M.DAVIS	02FEB04	Products UNLIMITED	Tyco Electronics Corporation Harrisburg, Pa 17105-3608		
		CHK	W.SORAH	02FEB04				
		APVD	W.SORAH	02FEB04	NAME			
		PRODUCT SPEC			TRANSFORMER OUTLINE			
		APPLICATION SPEC			-			
		WEIGHT			-			
		CUSTOMER DRAWING			SIZE	CAGE CODE	DRAWING NO	RESTRICTED TO
					A3	00779	C=4000-09C02K999	-
					SCALE	NTS	SHEET	1 OF 1
								REV
								A

DIMENSIONS:	TOLERANCES UNLESS OTHERWISE SPECIFIED:
INCHES	
0 PLC	± -
1 PLC	± .1
2 PLC	± .01
3 PLC	± .003
4 PLC	± -
ANGLES	± 1'
MATERIAL	FINISH
-	-