

PART NAME: KNOB      SCALE: 1:1      DATE: 8/19/85      DR. BY HD

THIS DRAWING IS THE PROPERTY OF DAVIES MOLDING COMPANY, IS SUBMITTED SOLELY AS A DESIGN OR ENGINEERING PROJECT.  
WE ACCEPT NO RESPONSIBILITY WHATSOEVER FOR THE PRACTICAL APPLICATION OF THE PIECES MADE TO THIS DESIGN.

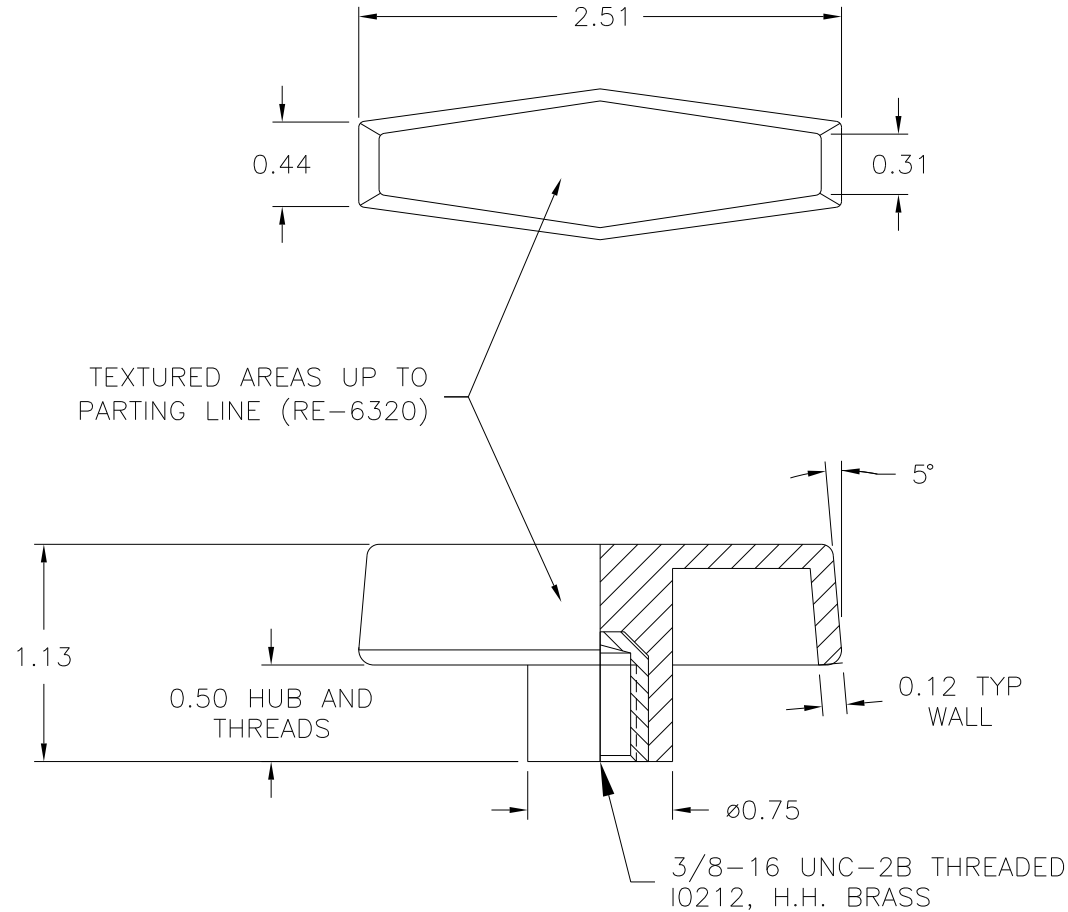


DESIGNERS & MANUFACTURERS  
OF KNOBS, HANDLES, CASES &  
CUSTOM PLASTIC COMPONENTS

P/N 3088-B

M NO. # 30

CAVITY	3088
CORE	3088
BUSHING	3088
EJECT. PIN	3088
PIN	3088-3
INSERT	I0212



Ⓑ  
MATERIAL: POLYPROPYLENE (CLD) Ⓒ  
COLOR: BLACK

TOLERANCES: UNLESS OTHERWISE SPECIFIED	DO NOT SCALE DRAWING	C	ADDED MAT. CODE	DS	1/26/07
		-	REDRAWN	TL	11/11/99
DECIMALS: X.XXX ± .005 X.XX ± .015	MM: X.XX ± 0.15MM X.X ± 0.4MM	B	WAS NYLON 6/6	HD	12/2/96
		-	CAD REDRAW	HD	11/2/92
FRACTIONS ± 1/64	ANG. ± 1°	A	WAS I1500	HD	8/7/92
CHANGES					