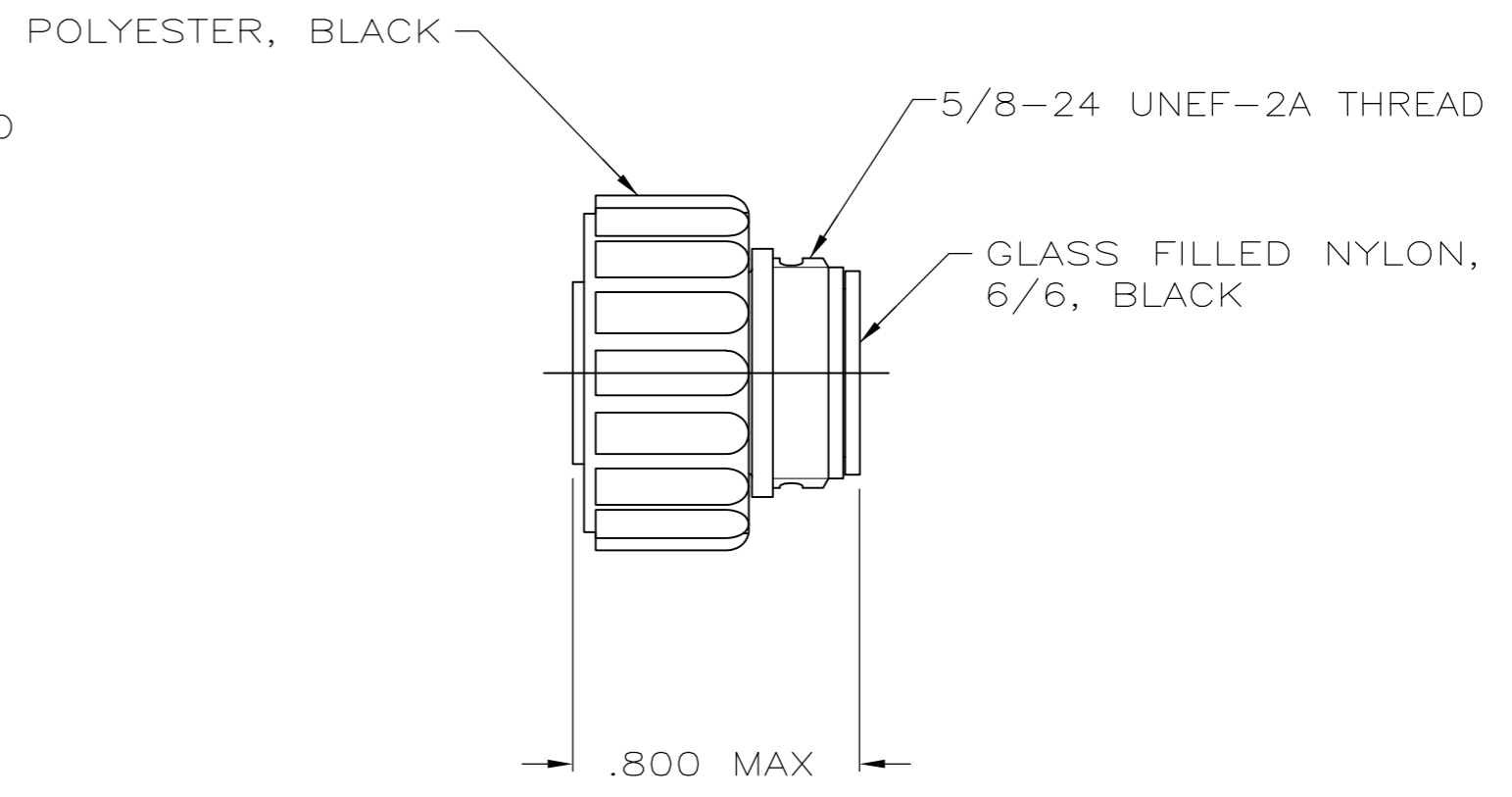
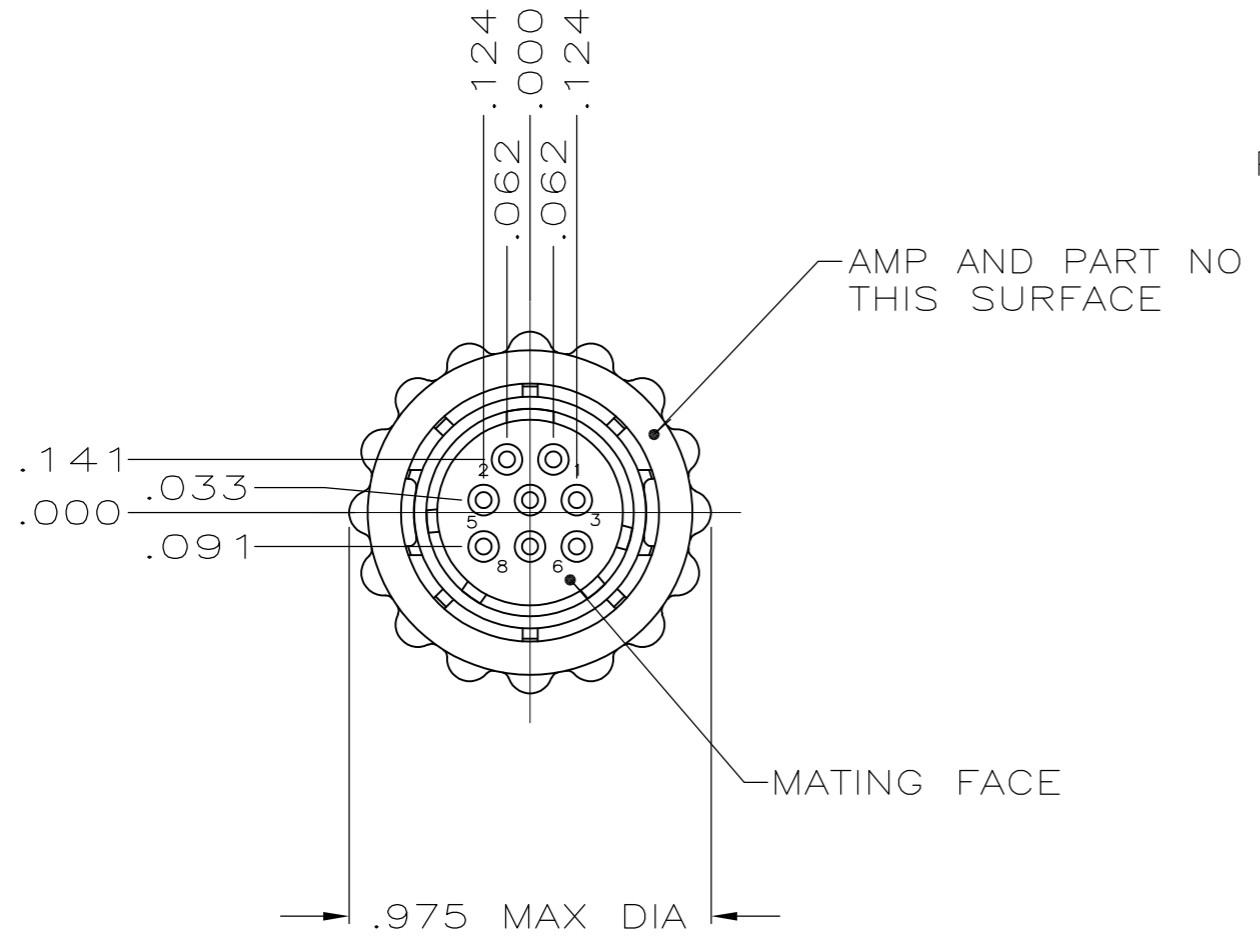


THIS DRAWING IS UNPUBLISHED. RELEASED FOR PUBLICATION  
 © COPYRIGHT - By - ALL RIGHTS RESERVED.

LOC	DIST	REVISIONS			
P	LTR	DESCRIPTION	DATE	DWN	APVD
FT	4	G2	REVISED PER ECO-11-004820	11MAR11	RK HMR



- CONTACT CAVITIES IDENTIFIED BY CHARACTERS ON FRONT AND REAR FACES OF CONNECTOR.
- WILL ACCEPT EIGHT SIZE 20 SOCKET CONTACTS.

**3** OBSOLETE PARTS: OBSOLETE CIS STREAMLINING PER D.RENAUD/D.SINISI

<b>3</b> OBSOLETE	SMALL PACK	205838-2
	STANDARD	205838-1
	PACKAGING	PART NUMBER

THIS DRAWING IS A CONTROLLED DOCUMENT.		DWN A.STAUB BG 4/3/91	<b>TE</b> TE Connectivity	
DIMENSIONS: INCHES		CHK W.G.LENKER 7-23-92		
TOLERANCES UNLESS OTHERWISE SPECIFIED:		APVD K.BEAVER 7-23-92	NAME PLUG ASSEMBLY, STD SEX, SERIES 2, 11-8, CPC	
0 PLC ± - 1 PLC ± - 2 PLC ± - 3 PLC ± .005 4 PLC ± - ANGLES ± -		PRODUCT SPEC 108-10024	DRAWING NO C-205838	
MATERIAL SEE CALLOUTS		FINISH -	WEIGHT -	RESTRICTED TO -
CUSTOMER DRAWING			SCALE 2:1	SHEET 1 OF 1
			REV G2	